

SINCE 1839

BRINLY

SINCE 1839

BRINLY

OWNER'S MANUAL

LAWN ROLLER

ROLLER MODEL:

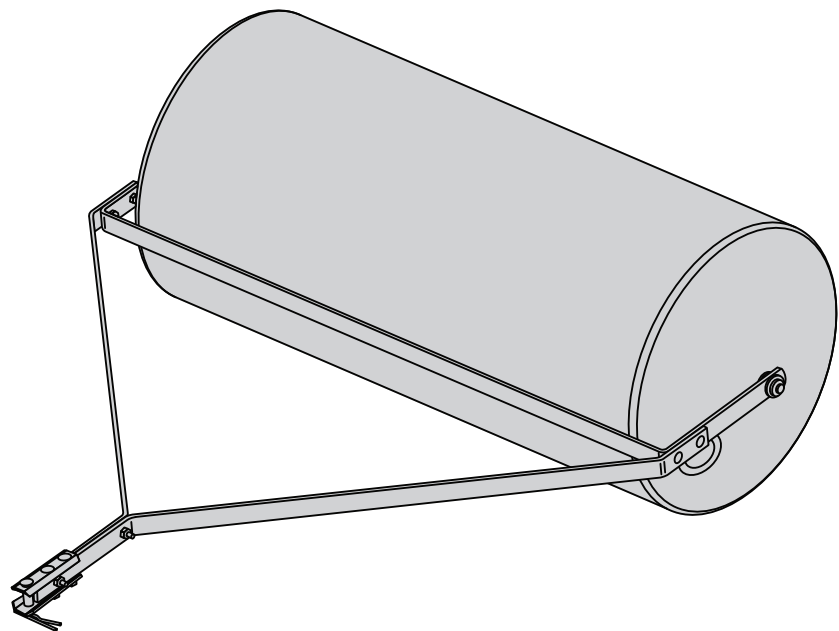
PRC-241 BH

PRT-361 BH

PRT-361S BH

PRT-481S BH

- Safety
- Assembly
- Operation
- Repair Parts
- Maintenance



For use with Riders, Lawn or Garden Tractors and ATV's

**PRC-241 BH Push version not shown.*

Call Customer Service, Toll-Free: 877-728-8224

Visit us on the web!
www.brinly.com

Important: This manual contains information for the safety of persons and property. Read it carefully before assembly and operation of the equipment!

INTRODUCTION AND SAFETY

CONGRATULATIONS on your new Brinly-Hardy Lawn Roller! This accessory has been designed, engineered and manufactured to give you the best possible dependability and performance.

Should you experience any problem you cannot easily remedy, please do not hesitate to contact our knowledgeable customer service department toll-free at 1-877-728-8224. We have competent, well trained technicians to help you with the assembly and use of your Roller.



CUSTOMER RESPONSIBILITIES

- Please read & retain this manual. The instructions will enable to assemble and maintain your product properly.
- Please carefully read and observe the SAFETY SECTION of this manual.
- Follow a regular schedule in maintaining and caring for your Brinly-Hardy product.

TABLE OF CONTENTS

SAFETY	2
PART LIST AND HARDWARE IDENTIFIER	3 - 4
ASSEMBLY	5 - 9
OPERATION	10
MAINTENANCE	10
LIMITED WARRANTY	11



Tools Required for Assembly:

- (x2) 1/2" Wrench
- (x2) 3/4" Wrench (*PRC-241 BH Only*)
- Slip Joint Pliers

SAFETY

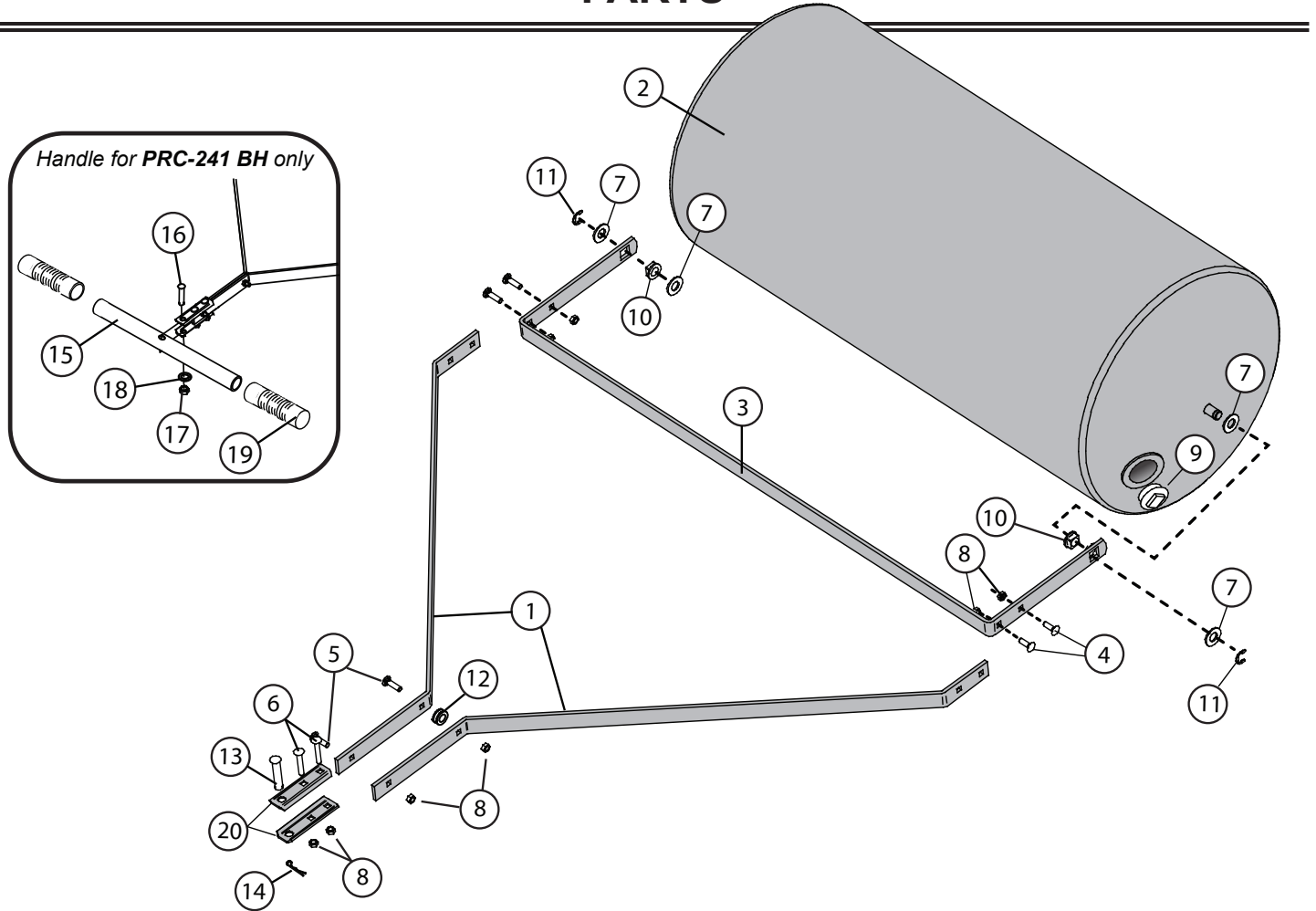
RULES FOR SAFE OPERATION

- Know controls and how to stop safely, READ THE OWNER'S MANUAL before operating.
- Do not allow children to operate the vehicle, do not allow adults to operate without proper instruction or without having read the owner's manual.
- Do not carry passengers. Keep children and pets a safe distance away.
- Always wear substantial footwear. Do not wear loose fitting clothing. Do not wear loose fitting clothing that can get caught in moving parts.
- Keep your eyes and mind on your tractor / attachment and area being covered. Do not let other interests distract you.
- Stay alert for holes in the terrain and other hidden hazards.
- Do not drive close to creeks, ditches and public highways.
- Watch out for traffic when crossing or near roadways.
- When using any attachment, don't allow anyone near the vehicle while in operation.
- Keep the vehicle and attachment in good operating condition and keep safety devices in place.
- Keep all nuts, bolts and screws tight to be sure the equipment is in safe working condition.
- The vehicle and attachment should be stopped and inspected for damage after striking a foreign object. The damage should be repaired before restarting and operating the equipment.
- See tractor equipment owner's manual for safe operation of the equipment.



This symbol will help to point out important safety precautions throughout this manual. It means - **ATTENTION! BECOME ALERT!** Your safety is involved.

PARTS



Ref. #	Description	Qty.	PRC-241 BH	PRT-361 BH	PRT-361S BH	PRT-481S BH
1	Frame Extension Bar	2	B-3554-10	B-6289-10	B-5357-10	B-6290-10
2	Roller Drum Assembly	1	B-5121	B-6271	B-5353-B	B-5789-B
3	Scraper Bar	1	B-6291-10	B-6272-10	B-6292-10	B-6294-10
4	5/16" x 1", Carriage Bolt	4	11M1016P	11M1016P	11M1016P	11M1016P
5	5/16" x 1-1/2", Carriage Bolt	2	11M1024P	11M1024P	11M1024P	11M1024P
6	5/16" x 2-1/4", Carriage Bolt	2	11M1036P	11M1036P	11M1036P	11M1036P
7	5/8" Flat Washer	4	45M2121P	45M2121P	45M2121P	45M2121P
8	5/16" Nylon Lock Nut	8	B-4786	B-4786	B-4786	B-4786
9	Plug	1	1019261	1019261	1019261	1019261
10	Square Bearing	2	B-6270	B-6270	B-6270	B-6270
11	5/8" E-Ring	2	F-577	F-577	F-577	F-577
12	Frame Spacer	1	R-1141	R-1141	R-1141	R-1141
13	Hitch Pin	1	B-3861	B-3861	B-3861	B-3861
14	Hitch Pin Cotter	1	D-146P	D-146P	D-146P	D-146P
15	Handle	1	B-3556-10			
16	Hex Bolt 1/2" x 2-1/4"	1	1M1636P			
17	Hex Nut 1/2"	1	30M1600P			
18	Lock Washer 1/2"	1	40M1600P			
19	Grip	2	B-2579			
20	Clevis	2	R-892-10			

Installation Questions?
Missing Parts? Replacement Parts?
DON'T GO BACK TO THE STORE!

Please call our Customer Service Department, Toll Free: 877-728-8224 or customerservice@brinly.com



HARDWARE IDENTIFIER



Illustrations on this page are to scale for faster identification of hardware during assembly.

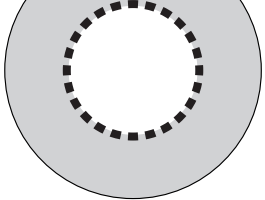
DO NOT RETURN PRODUCT IF YOU ARE MISSING PARTS.

Please Call: 1 (877) 728-8224

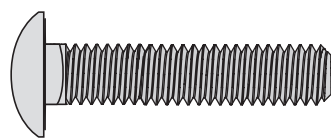
④ Carriage Bolt
5/16 x 1"
(x4)
11M1016P



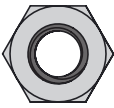
⑦ Washer: Flat
5/8" (x4)
45M2121P



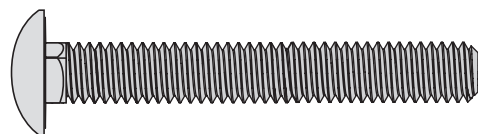
⑤ Carriage Bolt
5/16 x 1 1/2"
(x2)
11M1024P



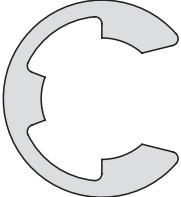
⑧ Nut: Nylon Lock
5/16" (x8)
B-4786




⑥ Carriage Bolt
5/16 x 2 1/4"
(x2)
11M1036P



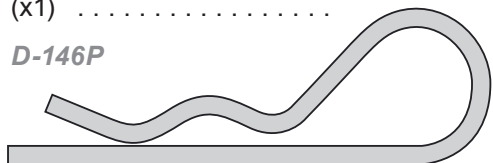
⑪ E-Ring, 5/8"
(x2)
F-577



⑬ Hitch Pin (x1)
.....
B-3861



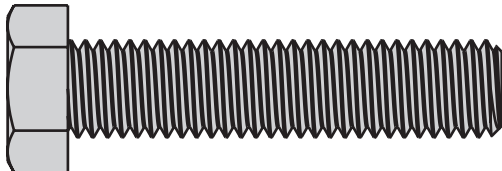
⑭ Hitch Pin Cotter
(x1)
D-146P



PARTS IN ADDITIONAL HARDWARE BAG

(Only for PRC-241 BH)

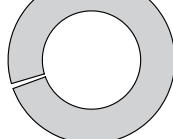
⑯ Bolt: Hex Head
1/2 x 2-1/4"
(x1)
1M1636P



⑰ Nut: Hex
1/2" (x1)
30M1600P



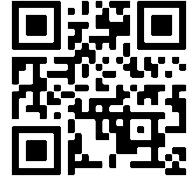
⑱ Lock Washer 1/2"
(x1)
40M1600P



ASSEMBLY

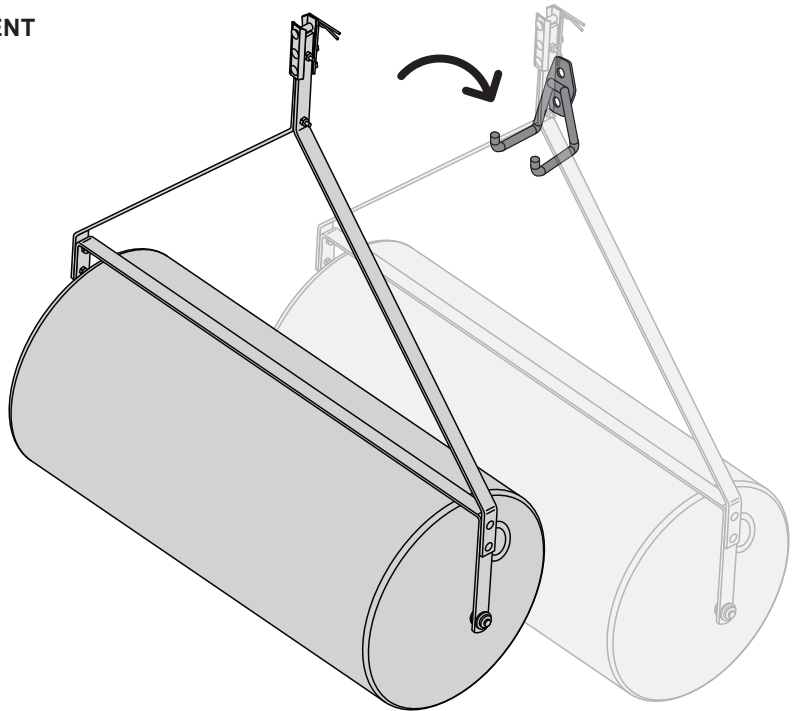
Assembly Tip

You can check out our step-by-step Lawn Roller assembly video by visiting our Brinly YouTube page, Brinly.com, or by scanning this QR code with your smartphone.



WE RECOMMEND THE FOLLOWING STEPS FOR THE CARE OF YOUR ROLLER TO PREVENT FLAT SPOTS:

- For longest life, drain the roller and leave the plug out.
If possible, hang the roller when not in use to prevent the potential occurrence of the drum developing a flat spot.
- If a flat spot develops during storage, first ensure the roller is empty. Next, leave it out in the sun to warm (*we recommend sitting it out on pavement for at least one day*).
Once this is complete, roll it around to reduce the flat area.



If you have questions, are missing parts or need replacement parts, don't go back to the store! Please find your product serial number and model number, then contact our Customer Service department:



In North America and Canada call Toll-Free: **877-728-8224**



Chat online: www.brinly.com




Email: customerservice@brinly.com



ASSEMBLY

Assembly Step 1

Attaching the Scraper Bar

 Hardware Panel A

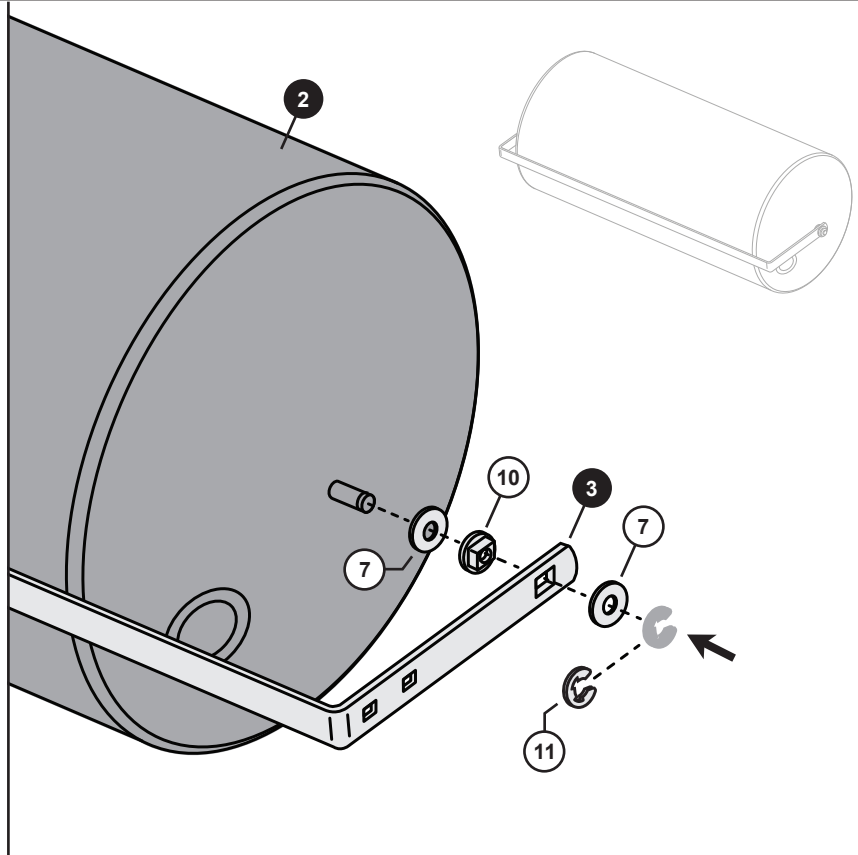
Add a 5/8" flat washer (7) to the Roller Drum (2) as illustrated.

Slide a square bearing (10) into the large square hole at the end of the Scraper Bar (3) and add to the Roller Drum.


Add another 5/8" flat washer (7).

Secure everything in place by sliding a 5/8" E-ring (11) into the slot at the end of the roller drum (2).

Repeat this step on the other end of the drum.



Assembly Step 2

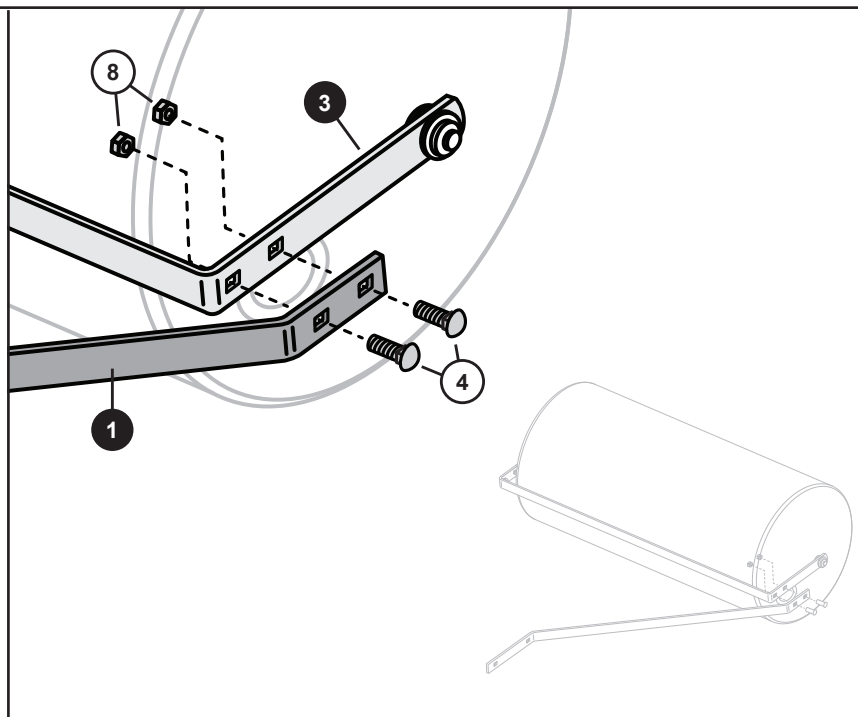
 Hardware Panel B

Align the Frame Extension Bar (1) as illustrated.

From the outside, run two 5/16 x 1" Carriage Bolts (4) through the Extension Bar (1) and Scraper Bar (3) as illustrated.

Secure everything in place with two 5/16" Nylon Lock Nuts (8).

Repeat this step on the other end of the drum.




ASSEMBLY

NOTE: Do not tighten the lock nuts added on this step completely (*until Assembly Step 4-A is complete*).

Assembly Step 3

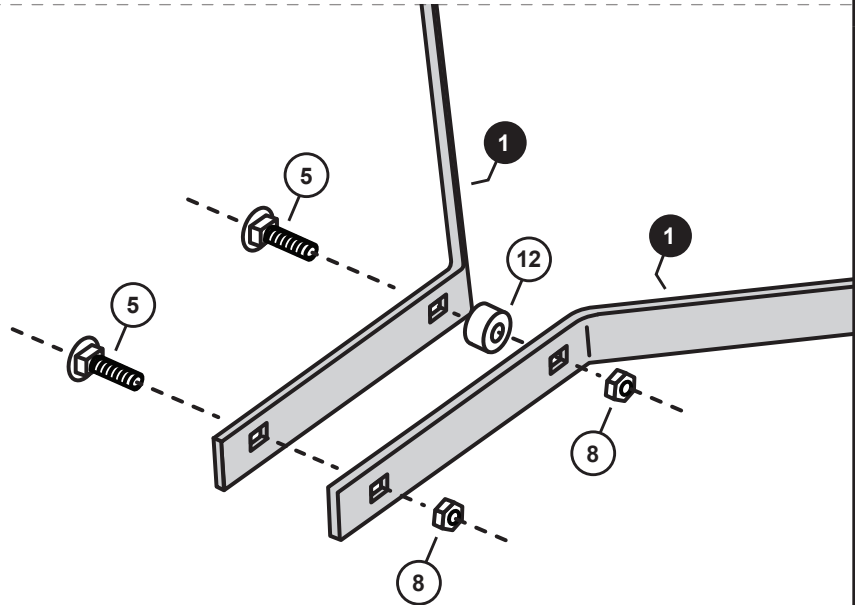
Connecting the Frame Extension Bars

 Hardware Panel C

Center the Spacer (12) between the second hole of the Extension Bars (1) and run a 5/16" Carriage Bolt (5) through.


Loosely add a 5/16" Lock Nut (8).

Add the second 5/16" Carriage bolt to the Extension Bars (1) and secure with the additional 5/16" Lock Nut (8).



Assembly Step 4

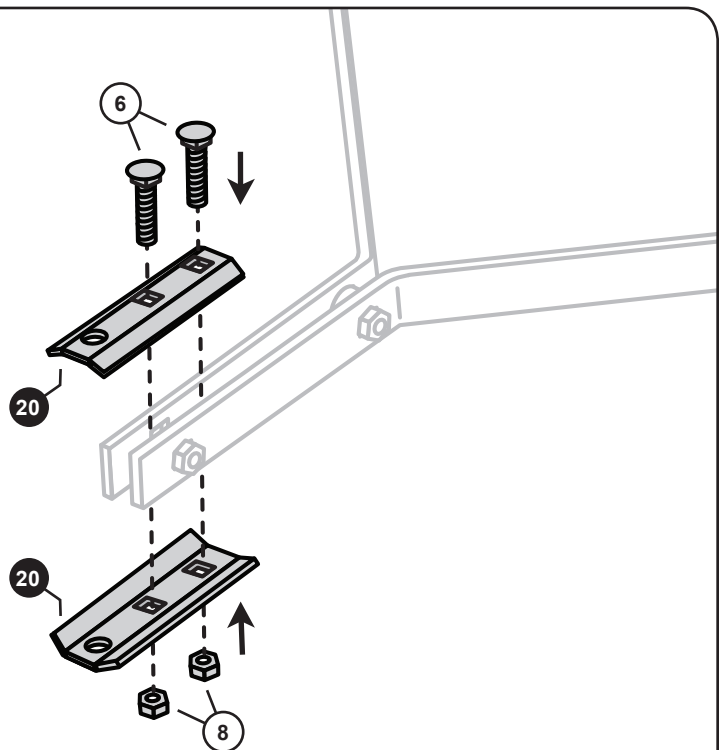
Attaching the Clevis

 Hardware Panel D

Align the Clevis plates (20) as illustrated.

NOTE: The two bolts that will be added on this step need to straddle the Carriage Bolt at the very end of the extension bars.

Run two 5/16 x 2-1/4" Carriage Bolts (6) through the Clevis Plates (20). Secure in place with two 5/16" Nylon Lock Nuts (8).




ASSEMBLY

If you are assembling PRC-241 BH: Skip Step 5 and continue to Assembly Step 6



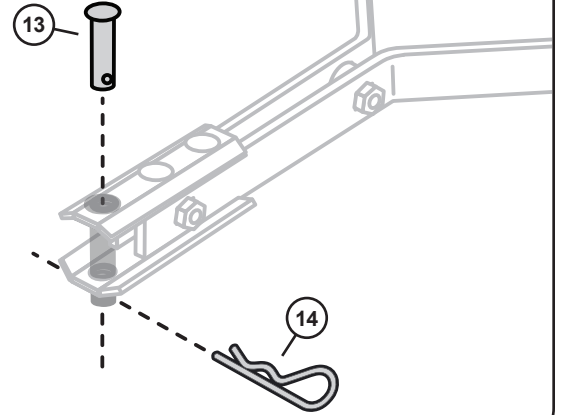
PRT-361 BH, PRT-361S BH & PRT-481S BH: Attaching the Clevis

Assembly Step 5

 Hardware Panel D

Add the hitch pin (13) through remaining openings of the Clevis (20) and secure with a Hitch Pin Cotter (14).


Skip Step 6 and continue to Assembly Step 7.



PRC-241 BH: Attaching the Handle

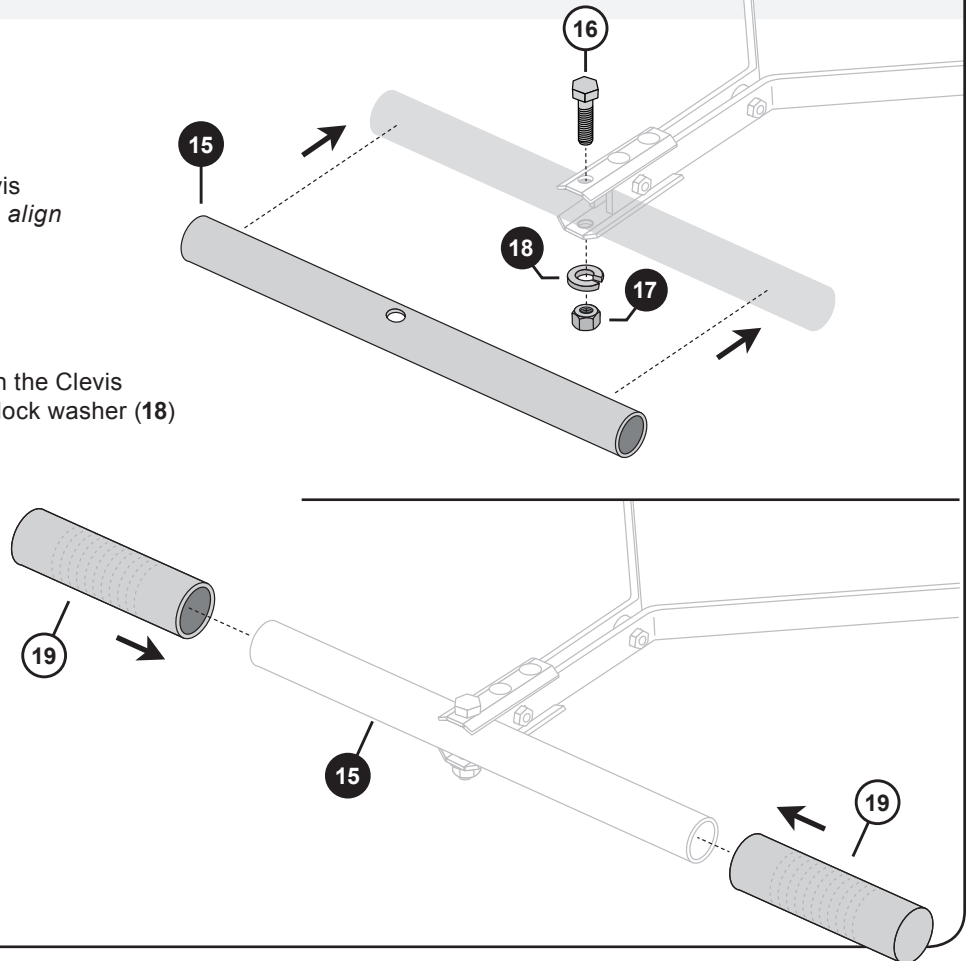
Assembly Step 6

Slide the Handle (15) between the Clevis plates as illustrated. *NOTE: Be sure to align the openings of the clevis and handle.*

 Hardware Bag

Run a 1/2 x 2-1/4" Hex Bolt (16) through the Clevis plates and handle. Secure with a 1/2" lock washer (18) and a 1/2" lock nut (17).

Slide the grips (19) over the ends of the handle (15).



ASSEMBLY

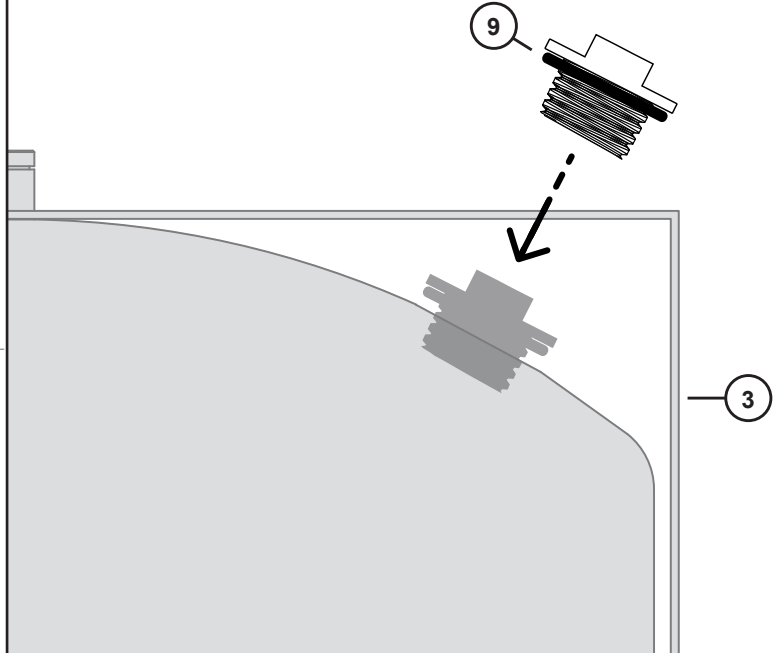
Assembly Step 7

Adding the Roller Plug

When installing the plug (9) please note the plug has an o-ring, ensure o-ring properly seats against the roller. *A portion of the plug will extend from the roller, however, it will not interfere with the scraper bar (3).*

Hand tighten as far as possible, if the plug is leaking, ensure o-ring is not bulging outside of the plug.

NOTE: A wrench around the plug handle can be used to further tighten if necessary.



ONLINE: www.brinly.com

Additional info and videos are available on our website OR scan one of the following QR codes:



OPERATION AND MAINTENANCE

OPERATION

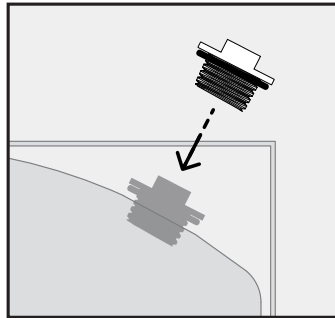


CAUTION! Do not overload your Tractor / Rider. Roller fully loaded with water weighs:

PRC-241 BH	= 270 lbs
PRT-361 BH	= 690 lbs
PRT-361S BH	= 390 lbs
PRT-481S BH	= 485 lbs

- Refer to tractor manual to determine proper towing capacity of your Tractor / Rider.

- Fill the roller with amount of water recommended for your tractor / rider. Screw in the plug and tighten securely.



- The plug has an o-ring to create a seal and prevents the drum contents from leaking out.

- For longest life, drain the roller, leave the plug out, and if possible, hang the roller when not in use to prevent possibility of developing a flat spot.
- If a flat spot develops on the roller during storage, ensure roller is empty then leave out in the sun to warm and roll around to reduce flat area.
- *Please note that sand may be used in place of water with no risk of freezing.*
- Ground condition is vital to good leveling. Soil should be moist, but not muddy.
- Refer to your Tractor or Riding Mower Owner's manual for proper towing capacity and safe operation of your towing equipment. Towing / Stopping distances will be greatly affected by added weight of roller.

MAINTENANCE



- The key to years of trouble-free service is to keep your Lawn Roller clean and dry.
- Occasionally check all moving parts for free movement and, if necessary, lubricate with oil.
- Should rust develop, sand lightly and then paint area with enamel.
- Periodically check all fasteners for tightness.



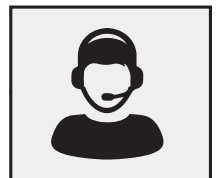
TRACTOR / RIDING MOWER SPEED

Rollers yield the best results when ground conditions are correct, and equipment is operating at **less than 3 mph**.

CALIBRATING YOUR TRACTOR TO 3 MPH:

Measure a distance of 20 feet on a flat, level surface. Adjust tractor throttle and select a gear to cover this distance in 4.5 seconds.

SERVICE



QUALITY CONTINUES WITH QUALITY SERVICE

If you have installation questions, are missing parts or need replacement parts, don't go back to the store!

Please find your product serial number and model number, then contact our Customer Service department:



In North America and Canada call
Toll-Free: **877-728-8224**



Chat online: **www.brinly.com**



Email: **customerservice@brinly.com**



MANUFACTURER'S LIMITED WARRANTY FOR BRINLY PULL-BEHIND ACCESSORIES

The limited warranty set forth below is given by Brinly-Hardy Company with respect to new merchandise purchased and used in the United States, its possessions and territories.

Brinly-Hardy Company warrants the products listed below against defects in material and workmanship, and will at its option, repair or replace, free of charge, any part found to be defective in materials or workmanship. This limited warranty shall only apply if this product has been assembled, operated, and maintained in accordance with the Operator's manual furnished with the product, and has not been subject to misuse, abuse, commercial use, neglect, accident, improper maintenance, alteration, vandalism, theft, fire, water, or damage because of other peril or natural disaster.

Normal Wear Parts or components thereof are subject to separate terms as follows: All normal wear parts or component failures will be covered on the product for a period of 90 days.

Parts found to be defective within the warranty period will be replaced at our expense. Our obligation under this warranty is expressly limited to the replacement or repair, at our option, of parts found to be defective in material and workmanship.

HOW TO OBTAIN SERVICE: Warranty parts replacements are available, ONLY WITH PROOF OF PURCHASE, through our Customer Service Department. Call 877-728-8224.

This limited warranty does not provide coverage in the following cases:

- a) Routine maintenance items such as lubricants and filters.
- b) Normal deterioration of the exterior finish due to use or exposure.
- c) Transportation and/or labor charges.
- d) The warranty does not include commercial and/or rental use.

No implied warranty, including any implied warranty of merchantability of fitness for a particular purpose, applies after the applicable period of express written warranty above as to the part as identified below. No other express warranty whether written or oral, except as mentioned above, given by any person or entity, including a dealer or retailer, with respect to any product, shall bind Brinly-Hardy Co. During the period of the warranty, the exclusive remedy is repair or replacement of the product as set forth above.

The provisions as set forth in this warranty provide the sole and exclusive remedy arising from the sale. Brinly-Hardy Co. shall not be liable for incidental or consequential loss or damage including, without limitation, expenses incurred for substitute or replacement lawn care services or for rental expenses to temporarily replace a warranted product.

Some states do not allow the exclusion or limitation of incidental or consequential damages, or limitations on how long an implied warranty lasts, so the above exclusions or limitations may not apply to you.

During the warranty period, the exclusive remedy is replacement of the part. In no event shall recovery of any kind be greater than the amount of the purchase price of the product sold. Alteration of safety features of the product shall void this warranty. You assume the risk and liability for loss, damage, or injury to you and your property and/or to others and their property arising out of the misuse or inability to use this product.

This limited warranty shall not extend to anyone other than the original purchaser or to the person for whom it was purchased as a gift.

HOW STATE LAW RELATES TO THIS WARRANTY:

This limited warranty gives you specific legal rights, and you may also have other rights which vary from state to state.

IMPORTANT:

The Warranty period stated below begins with the PROOF OF PURCHASE. Without the proof of purchase, the Warranty period begins from the date of manufacture determined by the serial number manufacturing date.

WARRANTY PERIOD:

The warranty period is as follows: 2 Years