



Owner's Manual and Instructions

Sun Blast™ Radiant Construction Heaters

View this manual online at www.lbwhite.com



<u>MODELS</u>	<u>OUTPUT</u>	<u>FUEL</u>
CR125AZPA220206	125,000 Btuh	Propane Vapor Withdrawal Natural Gas
CR125AZNA220207	(36.6 kW)	



SCAN THIS QR CODE

with your smartphone or visit <http://goo.gl/nvneR> to view maintenance videos for L.B.White heaters.*



*Requires an app like QR Droid for Android or QR Reader for iPhone.

Congratulations!

You have purchased the finest radiant construction heater available.

Your new L.B. White heater incorporates the benefits from the most experienced manufacturer of heating products using state-of-the-art technology.

We, at L.B. White, **thank you** for your confidence in our products and welcome any suggestions or comments you may have...call us, toll-free, at 1-800-345-7200.

ATTENTION ALL USERS

This heater has been tested and evaluated by ETL in accordance with Standard ANSI Z83.7• CSA 2.14 and is listed and approved as a direct fired construction heater for use on combustible floors. This heater is intended for use as a portable, temporary heater for buildings under construction, alteration, or repair. If you are considering using this product for any application other than its intended use, then please contact your fuel gas supplier, or the L.B. White Co., Inc.



World Provider - Innovative Heating Solutions

411 Mason Street, Onalaska, WI 54650 ■ (800) 345 7200 ■ (608) 783 5691 ■ (608) 783 6115, fax ■ www.lbwhite.com

 **GENERAL HAZARD WARNING**

- Failure to comply with the precautions and instructions provided with this heater, can result in:
 - Death
 - Serious bodily injury or burns
 - Property damage or loss from fire or explosion
 - Asphyxiation due to lack of adequate air supply or carbon monoxide poisoning
 - Electrical shock
- Read this Owner's Manual before installing or using this product.
- Only properly-trained service people should repair or install this heater.
- Save this Owner's Manual for future use and reference.
- Owner's Manuals and replacement labels are available at no charge. For assistance, contact L.B. White at 800-345-7200.

 **WARNING**

- Proper gas supply pressure must be provided to the inlet of the heater.
- Refer to data plate for proper gas supply pressure.
- Gas pressure in excess of the maximum inlet pressure specified at the heater inlet can cause fires or explosions.
- Fires or explosions can lead to serious injury, death, or building damage.
- Gas pressure below the minimum inlet pressure specified at the heater inlet may cause improper combustion.
- Improper combustion can lead to asphyxiation or carbon monoxide poisoning and therefore serious injury or death.

 **WARNING**

Fire and Explosion Hazard

- Not for home or recreational vehicle use.
- Installation of this heater in a home or recreational vehicle may result in a fire or explosion.
- Fire or explosions can cause property damage or loss of life.

FOR YOUR SAFETY

Do not store or use gasoline or other flammable vapors and liquids in the vicinity of this or any other appliance.

FOR YOUR SAFETY

If you smell gas:

1. Open windows.
2. Don't touch electrical switches.
3. Extinguish any open flame.
4. Immediately call your gas supplier.

 **WARNING**

Fire and Explosion Hazard

- Keep solid combustibles a safe distance away from the heater.
- Solid combustibles include wood or paper products, building materials, and dust.
- Do not use the heater in spaces which contain or may contain volatile or airborne combustibles.
- Volatile or airborne combustibles include gasoline, solvents, paint thinner, dust particles or unknown chemicals.
- Failure to follow these instructions may result in a fire or explosion.
- Fire or explosions can lead to property damage, personal injury or loss of life.



Table of Contents

<u>SECTION</u>	<u>PAGE</u>
General Information	3
Heater Specifications	4
Safety Precautions	5
Installation Instructions	
General	7
Hose and Regulator Assembly	8
Connecting Regulator to Gas Supply	8
Handle Assembly	9
Moving the Heater	9
Start-Up Instructions	10
Shut-Down Instructions	10
Cleaning Instructions	11
Maintenance Instructions	11
Service Instructions	
General	12
Safety Control Valve and Burner Orifice	12
Pilot Orifice	13
Thermocouple	13
Igniter and Electrode	14
Tip-over Switch	14
Gas Pressure Checks	15
Troubleshooting	16
Heater Component Function	17
Parts Identification	
Parts Schematic	18
Parts List	19
Warranty Policy, Replacement Parts, and Service	20

General Information

When calling for technical service assistance, or for other specific information, always have model number, configuration number and serial number available. This information is contained on the dataplate.

This manual will instruct you in the operation and care of your unit. Have your qualified installer review this manual with you so that you fully understand the heater and how it functions.

The gas supply line installation, installation of the heater, and repair and servicing of the heater requires continuing expert training and knowledge of gas heaters and should not be attempted by anyone who is not so qualified. See page 6 for definition of the necessary qualifications.

Contact your local L.B. White distributor or the L.B. White Co., Inc. for assistance, or if you have any questions about the use of the equipment or its application.

The L.B. White Co., Inc. has a policy of continuous product improvement. It reserves the right to change specifications and design without notice.

Heater Specifications

Model

CR125

SPECIFICATIONS

Fuel	Propane Gas	Natural Gas
Input - BTUH (kW)	125,000 (36.6)	
Burner Manifold Pressure - in. W.C. (kPa)	10.0 (2.50)	5.55 (1.38)
Fuel Consumption Per Hour	5.80 lbs.(2.63 kg)	125 cu. ft. (9.3 m ³)
Dimensions - Inches (cm) L x W x H	15 1/4 x 15 1/4 x 34 1/4 (38.7 x 38.7 x 87)	
Minimum Safe Distances From Nearest Combustible Materials Feet (Meters)	TOP	5 (1.52)
	SIDES	5 (1.52)
	GAS LP GAS	US: 6 ft. (1.83) CANADA: 10 (3.05)
	SUPPLY NATURAL GAS	N/A

Safety Precautions

WARNING **Asphyxiation Hazard**

- Do not use this heater for heating human living quarters, workshops, garages, or other such confined spaces.
- Do not use in unventilated areas.
- The flow of combustion and ventilation air must not be obstructed.
- Proper ventilation air must be provided to support the combustion air requirements of the heater being used.
- Lack of proper ventilation air will lead to improper combustion.
- Improper combustion can lead to carbon monoxide poisoning leading to serious injury or death. Symptoms of carbon monoxide poisoning can include headaches, dizziness and difficulty in breathing.
- Proper ventilation air for combustion must be provided in accordance with OSHA 29 CFR 1926.154, Temporary Heating Device, ANSI A10.10, Safety Requirements for Temporary and Portable Space Heating Devices, or the Natural Gas and Propane Installation Code, CAN/CSA B149.1 as appropriate.

FUEL GAS ODOR

Propane gas and natural gas have man-made odorants added specifically for detection of fuel gas leaks.

If a gas leak occurs, you should be able to smell the fuel gas.
THAT'S YOUR SIGNAL TO GO INTO IMMEDIATE ACTION!

- Do not take any action that could ignite the fuel gas. Do not operate any electrical switches. Do not pull any power supply or extension cords. Do not light matches or any other source of flame. Do not use your telephone.
- Get everyone out of the building and away from the area immediately.
- Close all propane gas tank or cylinder fuel supply valves, or the main fuel supply valve located at the meter if you use natural gas.
- Propane gas is heavier than air and may settle in low areas. When you have reason to suspect a propane leak, keep out of all low areas.
- Natural gas is lighter than air and can collect around rafters or ceilings.
- Use your neighbor's phone and call your fuel gas supplier and your fire department. Do not re-enter the building or area.
- Stay out of the building and away from the area until declared safe by the firefighters and your fuel gas supplier.
- **FINALLY**, let the fuel gas service person and the firefighters check for escaped gas. Have them air out the building and area before you return. Properly trained service people must repair the leak, check for further leakages, and then relight the appliance for you.

ODOR FADING – NO ODOR DETECTED

- **Some people cannot smell well. Some people cannot smell the odor of the man-made chemical added to propane or natural gas. You must determine if you can smell the odorant in these fuel gases.**
- Learn to recognize the odor of propane gas and natural gas. Local propane gas dealers and your local natural gas supplier (utility) will be more than happy to give you a “scratch and sniff” pamphlet. Use it to become familiar with the fuel gas odor.
- Smoking can decrease your ability to smell. Being around an odor for a period of time can affect your sensitivity to that particular odor.
- The odorant in propane gas and natural gas is colorless and the intensity of its odor can fade under some circumstances.
- If there is an underground leak, the movement of gas through the soil can filter the odorant.
- Propane gas odor may differ in intensity at different levels. Since propane gas is heavier than air, there may be more odor at lower levels.
- **Always be sensitive to the slightest gas odor.** If you continue to detect any gas odor, no matter how small, treat it as a serious leak. Immediately go into action as discussed previously.

ATTENTION – CRITICAL POINTS TO REMEMBER!

- Propane gas and natural gas have a distinctive odor. Learn to recognize these odors. (Reference “Fuel Gas Odor” and “Odor Fading” sections above.)
- If you have not been properly trained in repair and service of propane gas and natural gas fueled heaters, then do not attempt to light heater, perform service or repairs, or make any adjustments to the heater on propane gas or natural gas fuel system.
- Even if you are not properly trained in the service and repair of the heater, ALWAYS be consciously aware of the odors of propane gas and natural gas.
- A periodic sniff test around the heater or at the heater's joints; i.e. hose, connections, etc., is a good safety practice under any conditions. If you smell even a small amount of gas, CONTACT YOUR FUEL GAS SUPPLIER IMMEDIATELY. DO NOT WAIT!



WARNING
Burn Hazard

- Radiant heaters are normally quiet during operation.
- Always be aware of your proximity to the radiant heater during its use.
- Do not touch the heater or come within safe clearances given on dataplate and Owner's Manual.
- Failure to follow this warning can result in ignition of clothing and burns, causing severe injury.

1. Do not attempt to install, repair, or service this heater or the gas supply line unless you have continuing expert training and knowledge of gas heaters.

Qualifications for service and installation of this equipment are as follows:

- a. To be a qualified gas heater service person, you must have sufficient training and experience to handle all aspects of gas-fired heater installation, service and repair. This includes the task of installation, troubleshooting, replacement of defective parts and testing of the heater. You must be able to place the heater into a continuing safe and normal operating condition. You must completely familiarize yourself with each model heater by reading and complying with the safety instructions, labels, Owner's Manual, etc., that is provided with each heater.
 - b. To be a qualified gas installation person, you must have sufficient training and experience to handle all aspects of installing, repairing and altering gas lines, including selecting and installing the proper equipment, and selecting proper pipe and tank size to be used. This must be done in accordance with all local, state and national codes as well as the manufacturer's requirements.
 - c. In the Commonwealth of Massachusetts, this product must be installed by a gas fitter licensed by the Commonwealth of Massachusetts.
2. All installations and applications of L.B. White heaters must meet all relevant local, state and national codes. Included are L.P. gas, natural gas, electrical, and safety codes. Your local fuel gas supplier, a local licensed electrician, the local fire department or similar government agencies, or your insurance agent can help you determine code requirements.

Also refer to:

- ANSI/NFPA 58, latest edition, Standard for Storage and Handling of Liquefied Petroleum Gas
 - ANSI Z223.1/NFPA 54, National Fuel Gas Code
 - CAN/CSA B149.1 Natural Gas and Propane Installation Code
3. The heater shall not be directed toward any propane gas container within 20 ft. (6 m).
 4. Disconnect the heater from its propane gas supply container when relocating.
 5. Do not move the heater while it is in operation.

6. We cannot anticipate every use which may be made of our heater. Check with your local fire safety authority if you have questions about applications.
7. Other standards govern the use of fuel gases and heat producing products in specific applications. Your local authority can advise you about these.
8. Use only compressed air, a soft brush, or dry cloth to clean the heater and its components. Allow the heater to completely cool before cleaning or servicing.
9. Always use approved pipe thread compound suitable for use with propane gas on the threaded connections.
10. Do not block air intakes or discharge outlets of the heater. Doing so may cause improper combustion or damage to heater components leading to property damage.
11. The hose assembly shall be visually inspected before each use of the heater. If it is evident there is excessive abrasion or wear, or if the hose is cut, it must be replaced prior to the heater being put into operation. The hose assembly shall be protected building materials, and contact with hot surfaces during use. The hose assembly shall be that specified by the manufacturer. See parts list.
12. Check for gas leaks and proper function upon heater installation or when relocating. Refer to leak check instructions within installation section of this manual.
13. This heater should be inspected for proper operation by a qualified service person before each use and at least annually.
14. Always turn off the gas supply to the heater if the heater is not going to be used.
15. If gas flow is interrupted and flame goes out, do not relight the heater until you are sure that all gas that may have accumulated has cleaned away. In any event, do not relight the heater for at least 5 minutes.
16. Minimum propane gas supply cylinder size to be used shall be 100 pounds (45 kg). When using a cylinder supply system, the system must be arranged to provide vapor withdrawal from the operating cylinder.
17. When the heater is to be stored indoors, the connection between the propane gas supply cylinder(s) and the heater must be disconnected and the cylinder(s) removed from the heater and stored in accordance with the Standard and Handling of Liquefied Petroleum Gases, ANSI/NFPA 58, or the Natural Gas and Propane Installation Code, CAN/CSA B149.1 as appropriate.
18. Propane gas supply containers have left handed threads. Always use the appropriate wrench to tighten or loosen the regulator's P.O.L. fitting at the propane gas container's supply valve.



WARNING

Fire or explosion hazard.

Can cause property damage, severe injury or death.

1. To avoid dangerous accumulation of fuel gas, turn off the gas supply at the heater service valve before starting installation, and perform gas leak test after completion of installation.
2. Do not force the safety gas control button. Use only normal hand pressure to depress the button. Never use any tools. If the button will not operate by normal hand pressure, the control should be replaced by a qualified service technician. Force or attempted repair may result in fire or explosion.

1. Read all safety precautions and follow L.B. White recommendations when installing this heater. If during the installation or relocating of heater, you suspect that a part is damaged or defective, call a qualified service agency for repair or replacement.
2. Position heater properly before use. The heater must be installed on a level, flat, horizontal and stable surface when hot or in operation and according to minimum clearances from combustible surfaces such as walls, or ceilings. Do not place combustible materials within this zone of clearance. Minimum safe distances are as follows:

Top to Ceiling:	5 ft. (1.52 m)
All Sides:	5 ft. (1.52 m)
Gas Supply:	U.S. 6 ft. min. (1.83 m) Canada 10 ft. min. (3.05 m)

3. L.P Gas Installation Requirements

- Ensure **all** L.P. gas containers are secured and protected from people, tipover, vehicular traffic and contact.
- L.P. gas containers must be located on a flat, level, and stable surface.

Contact your local authorities, L.P. gas dealers, or fire marshalls for specifics dealing with installation in your area.

4. Position the heater and its gas supply hose so as to protect heater and its gas supply hose from traffic. Protect hoses with a shielding device of suitable nature to protect the hose from traffic and movement or other construction equipment.
5. The heater is approved for indoor use only. The heater shall be installed so it is not directly exposed to water spray, rain, and /or dripping water.
6. The heater's gas pressure regulator (with pressure relief valve) must be protected from adverse weather conditions (rain, ice, snow) as well as from building

materials (tar, concrete, plaster, etc.) which can affect safe operation and could result in property damage or injury.

7. Heaters used in the vicinity of combustible tarpaulins, canvas, plastics, wind barriers, or similar coverings shall be located at least 10 feet from the coverings. The coverings shall be securely fastened to prevent ignition or upsetting of the heater due to wind action on the covering or other material.
8. Check all connections for gas leaks using approved gas leak detectors. Gas leak testing is performed as follows:



WARNING Fire and Explosion Hazard

- Do not use open flame (matches, torches, candles, etc.) in checking for gas leaks.
- Use only approved leak detectors.
- Failure to follow this warning can lead to fires or explosions.
- Fires or explosions can lead to property damage, personal injury or loss of life.

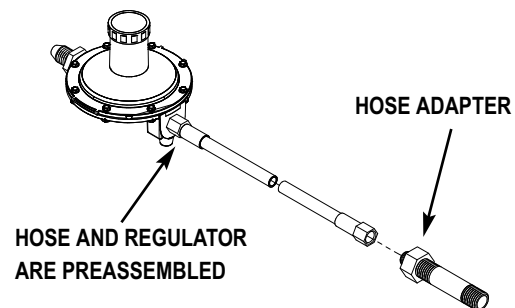
- Check all pipe connections, hose connections, fittings and adapters upstream of the gas control with approved gas leak detectors.
- In the event a gas leak is detected, check the components involved for cleanliness and proper application of pipe compound before further tightening.
- Furthermore tighten the gas connections as necessary to stop the leak.
- After all connections are checked and any leaks are stopped, turn on the main burner.
- Stand clear while the main burner ignites to prevent injury caused from hidden leaks that could cause flashback.
- With the main burner in operation, check all connections, hose connections, fittings and joints as well as the gas control valve inlet and outlet connections with approved gas leak detectors.
- If a leak is detected, check the components involved for cleanliness in the thread areas and proper application of pipe compound before further tightening.
- Tighten the gas connection as necessary to stop the leak.

- If necessary, replace the parts or components involved if the leak cannot be stopped.
 - Ensure all gas leaks have been identified and repaired before proceeding.
9. A qualified service agency must check for proper operating gas pressure upon installation of the heater.
 10. Light according to instructions on heater or within owner's manual.
 11. Make sure the heater has the proper gas regulator for the application. A regulator must be connected to the gas supply so that gas pressure at the inlet to the gas valve is regulated within the range specified on the dataplate at all times. Contact your gas supplier, or the L.B. White Co., Inc. if you have any questions.
 12. This heater is configured for use with propane vapor withdrawal only. Consult the heater's dataplate for the gas configuration of the specific heater. Do not use the heater in an propane liquid withdrawal system or application. If you are in doubt, contact the L.B. White Co., Inc.
 13. Take time to understand how to operate and maintain the heater by using this Owner's Manual. Make sure you know how to shut off the gas supply to the heater. Contact your fuel gas supplier if you have any questions.
 14. Any defects found in performing any of the service or maintenance procedures must be eliminated and defective parts replaced immediately. The heater must be retested by properly qualified service personnel before placing the heater back into use.

HOSE AND REGULATOR ASSEMBLY

- Connect end of hose with nut to the hose adapter at gas inlet of heater. See Fig. 1. Tighten securely.

FIG. 1



CONNECTING REGULATOR TO GAS SUPPLY

Ensure regulator is installed under a protective cover

L.P Gas Regulator:

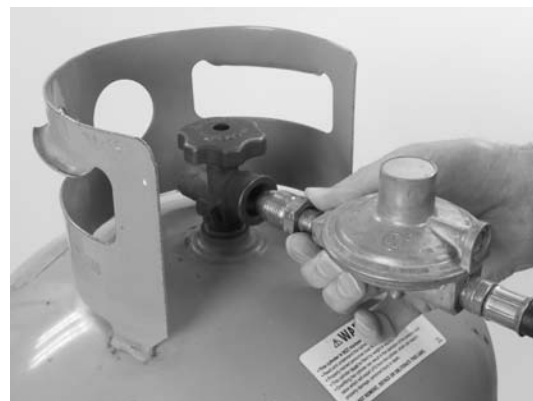
- Insert POL fitting into propane supply valve. See Fig. 2. Thread nut on fitting counterclockwise into propane supply valve. Tighten nut securely with a wrench.
- When storing or transporting the heater, ensure the cap is pushed onto the POL fitting to prevent damage to the POL or dirt entry into regulator.

Natural gas regulator:

Maximum inlet pressure: 13.5 in.WC.(3.36 kPa)
 Minimum inlet pressure 7.0 in.W.C. (1.74 kPa)

- Connect the regulator to natural gas supply. Regulator outlet is 3/8 in. NPT female.

FIG. 2



HANDLE

WARNING
Burn Hazard

- Do not operate the heater with the handle installed.
- Gripping the handle while the heater is operating or after the heater has been shut down can result in burns, causing injury.

- Install the handle as shown in Figs. 3 and 4.

FIG. 3

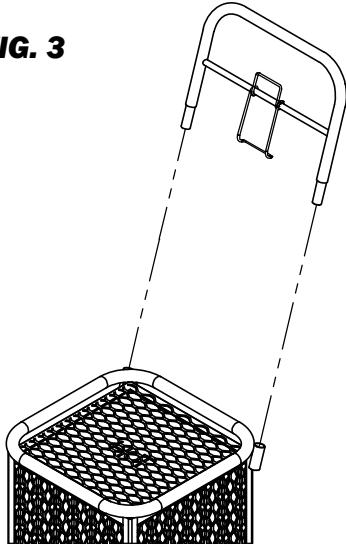
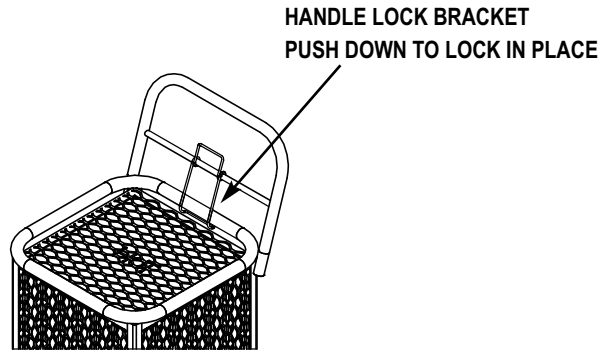


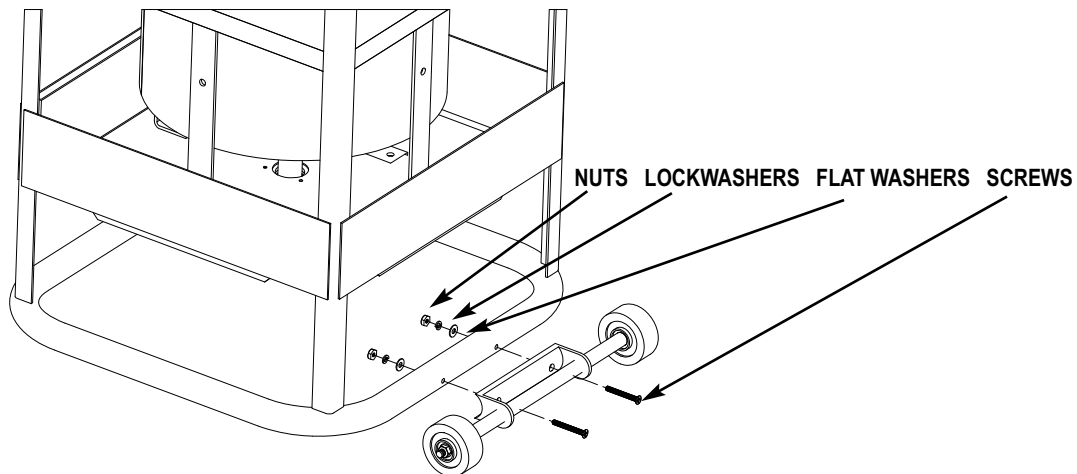
FIG. 4



WHEELS

- Assemble the wheels to the base of the heater as shown in Fig. 5. Tighten securely.
- The heater may be tilted for movement

FIG. 5



Lighting Instructions

1. Slowly open the fuel supply valve at the gas supply. (This prevents lockup of the excess flow check valve internal to the regulator's POL fitting.)
2. Rotate the knob on the safety control so the white line on the knob aligns to PILOT on the safety control. Fully depress the knob while pushing the piezo igniter button. The pilot will light. See Figs. 6 and 7.
3. To observe the pilot, move the pilot viewing cover to the side. see Fig. 7.

FIG. 6

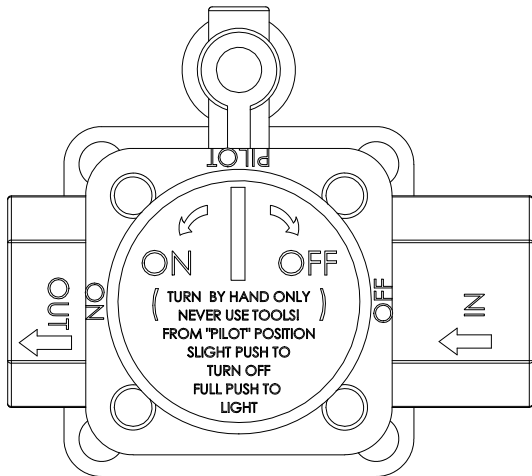
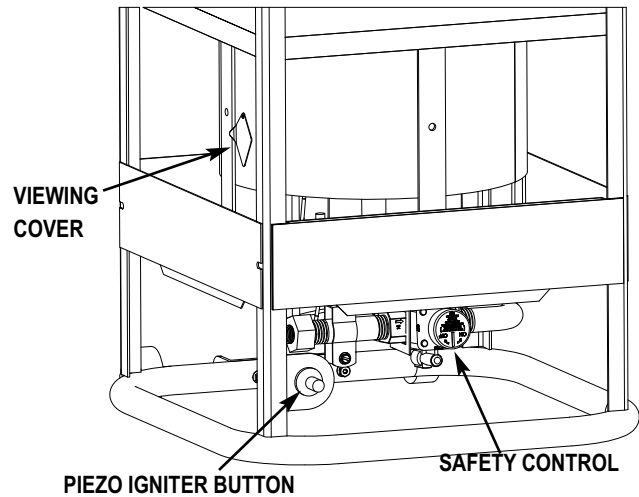


FIG. 7



4. Keep the knob depressed for about 30 seconds to allow the thermocouple to warm up.
 - On new installations it may take a short time for gas to purge out any air before the burner lights.
5. Release the knob. The pilot should stay lit.
4. Once the pilot is lit, position the knob to ON as indicated by the knob's arrow.

Shut-Down Instructions

1. Close all fuel gas supply valves.
2. Allow the heater to burn off any fuel gas remaining in the gas supply line.
3. Turn the knob on the safety control to OFF. See Fig. 6. (Push the safety control knob slightly and then turn to OFF position.)
4. Disconnect the heater from its gas supply.

Cleaning Instructions

 **WARNING**
Fire, Burn, and Explosion Hazard

- This heater contains mechanical components used in the gas management and safety systems.
- Such components may become inoperative or fail due to dust, dirt, wear or aging.
- Periodic cleaning and inspection as well as proper maintenance are essential to avoid serious injury or damage.
- Allow the heater to cool completely before cleaning or maintenance.

- Before each use give the heater a general cleaning.

 **WARNING**

Do not use water or liquid cleaning solution when cleaning. Use of water, or liquid cleaning solution on the control components can cause severe personal injury or property damage due to water and/or liquids:

- * On gas control valves causing corrosion which can result in gas leaks and fire or explosion from the leak.

Clean the heater with pressurized air, a dry brush, or a dry cloth.

Maintenance Instructions

1. The area surrounding the heater shall be kept clear and free from combustible materials, gasoline, and other flammable vapors and liquids.
2. The regulator must be periodically inspected to make sure its vent is not blocked. Debris, insects, insect nests, snow, or ice on a regulator can block vents and cause excess pressure at the heater.
3. A regulator can wear out and function improperly. Have your gas supplier check delivery pressures to the appliance to make sure that the regulator is reliable.
4. Check any heater wiring for corrosion, frayed or cut insulation, tight connections, etc. Repair or replace as necessary.
5. Review the heater's instruction label at the time of maintenance for legibility. Make sure it is not cut, torn, or otherwise damaged. Any damaged label must be replaced immediately by contacting the L.B. White Co., Inc.
6. Ensure the gas hose does not have any nicks, or cuts, and its connections are not corroded, or have stripped threads. Replace the gas hose assembly if necessary. Do not repair.

Service Instructions

GENERAL

⚠ WARNING
Burn Hazard

- Heater surfaces are hot for a period of time after the heater has been shut down.
- Allow the heater to cool before performing any service.
- Failure to follow this warning will result in burns causing injury.

⚠ WARNING
Fire and Explosion Hazard

- Do not disassemble or attempt to repair any heater components or gas train components.
- All component parts must be replaced if defects are found.
- Failure to follow this warning will result in fire or explosions, causing property damage, injury, or death.

1. Close the fuel supply valve to the heater before servicing unless necessary for your service procedure.
2. Disconnect the gas hose if needed for the service procedure.
3. For reassembly, reverse the respective service procedure. Ensure gas connections are tightened securely.
4. After servicing, start the heater to ensure proper operation and check for gas leaks.
5. Clean the heater's burner and pilot orifices with compressed air or a soft, dry rag. Do not use files, drills, etc., which may enlarge the holes, causing combustion/ignition problems. Replace the component if it cannot be cleaned properly.

SAFETY CONTROL VALVE and BURNER ORIFICE

1. Remove the clamp screw at valve inlet and spread the clamp open. See Fig. 9.
2. Disconnect the thermocouple and the tip switch lead. See Fig. 8.
3. Loosen the pilot tube's compression fitting at the safety control valve. See Fig. 8.
4. Remove the three screws securing the manifold to the support plate. See Fig. 8.
5. Remove the valve and manifold assembly from the heater. Replace or clean parts as needed. See Fig. 9.

FIG. 8

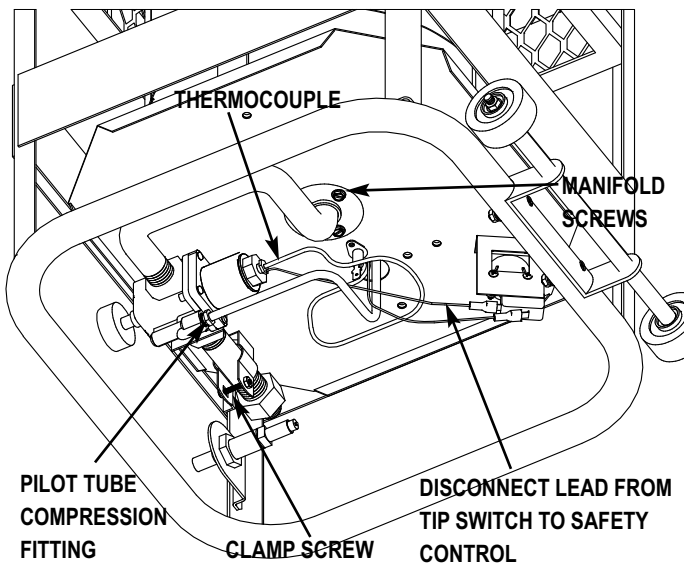
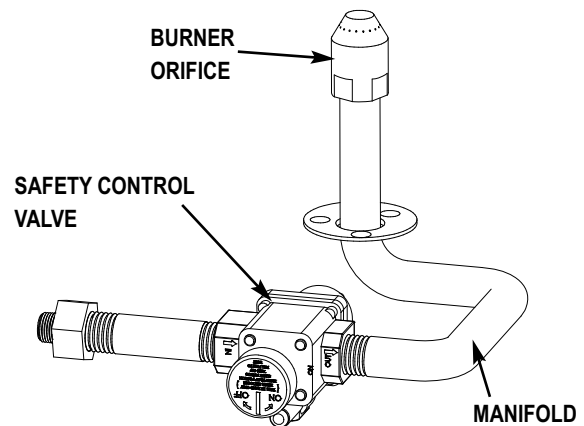


FIG. 9



PILOT ORIFICE

A plugged orifice creates a poor pilot flame, leading to pilot outages. The pilot flame should impinge on the thermocouple tip as shown in Fig. 10.

If the pilot flame appears weak, the pilot orifice may require cleaning or replacement. Refer to the following instructions.

1. Remove the screws from the side panel at the lower section of the burner. See Fig.11.

FIG. 10

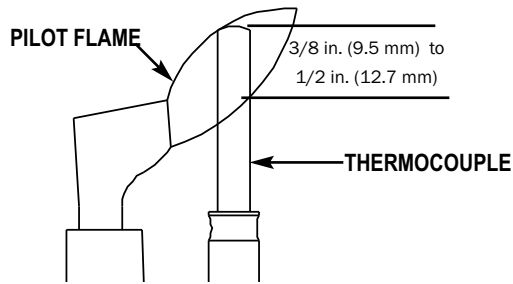
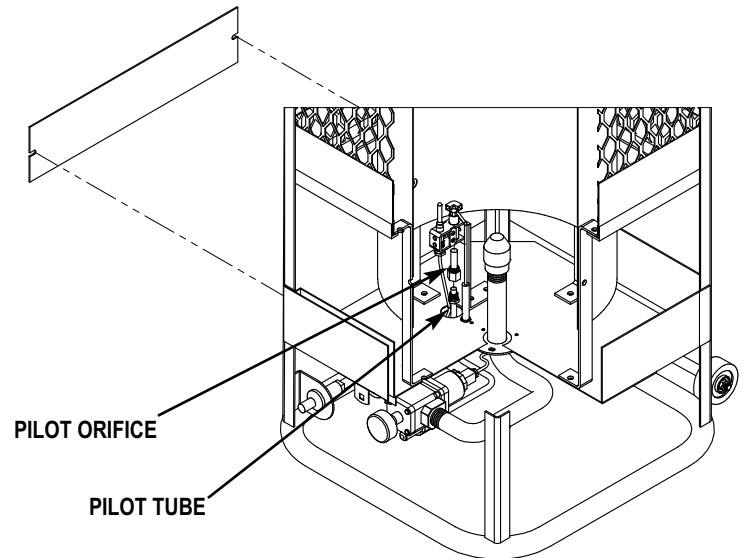


FIG. 12



2. Loosen the pilot tube's compression fitting at the pilot orifice. See Fig.11.
3. Remove the pilot orifice from the pilot bracket. See Fig. 11.
4. Hold the orifice up to light and verify if both pilot holes are open. If plugged, use only air to clean the orifice. Replace if necessary. See Fig. 12 for comparison of propane and natural gas orifices and hole location.

FIG. 11



THERMOCOUPLE

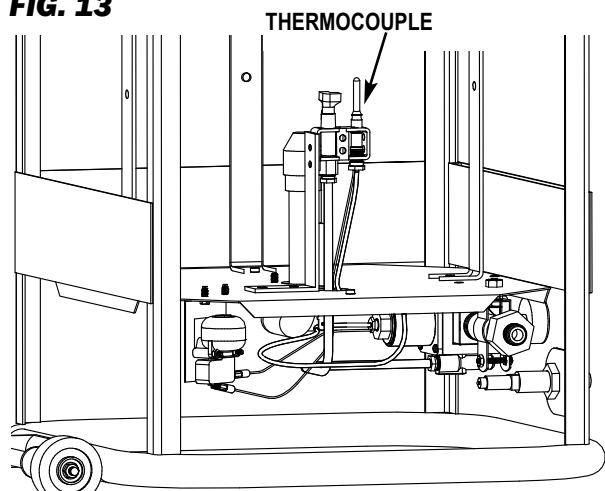
The thermocouple may need replacement if the burner goes out after allowing the thermocouple to heat up for an extended period of time. Normal time for thermocouple warm-up is 30 seconds to 1 minute

- To determine if the thermocouple is defective:
 - Connect tip switch leads together with a jumper.
 - Connect an ohm meter between the thermocouple tip and its contact button (previously connected to safety control)
 - A good thermocouple will give some level of resistance from end to end.
 - A defective thermocouple will show an overload or infinite resistance on the ohm meter.

1. If replacing, remove the side panel from lower section of the burner. See Fig. 11 above.
2. Remove the thermocouple from the pilot bracket. See Fig. 13.
3. Loosen the opposite end of the thermocouple at the safety control valve.

- When reinstalling, ensure the thermocouple's attachment nut is completely threaded into the pilot bracket. This ensures proper thermocouple position relative to pilot flame. Failure to do so may cause pilot outage.
- When connecting the thermocouple to the safety control valve, thread the thermocouple finger tight to the valve, then snug it in with a wrench.

FIG. 13



IGNITER and ELECTRODE

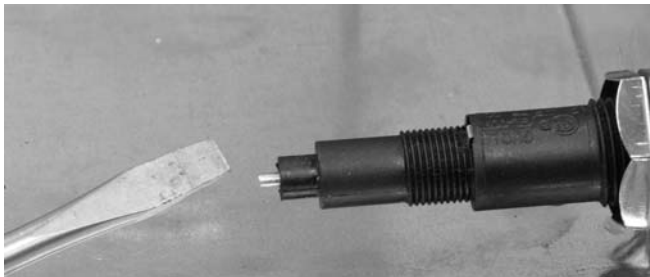
Servicing of the igniter and electrode is needed when a spark is not observed at the electrode when pushing the igniter button. This may happen with hard use over a period of time, dust and dirt accumulation, or improper gap

If you do not see a spark being generated at the electrode check the following areas:

A. Igniter

1. Remove the wire from the push button igniter.
2. Position a screwdriver tip about 1/8 in.(3 mm) from igniter. See Fig. 14.
3. Holding the screwdriver by its handle, push the igniter's button several times. If spark is not seen, replace the igniter. If spark is observed, proceed to electrode servicing.

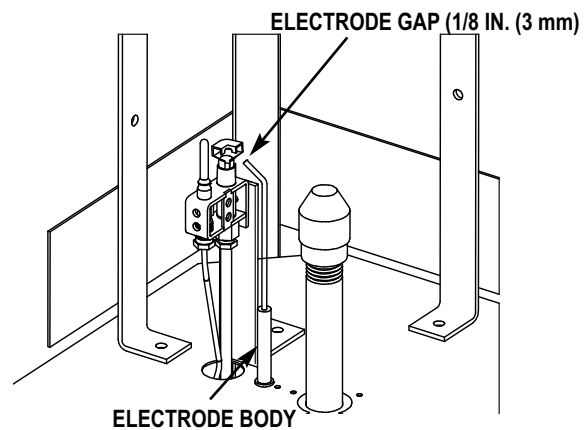
FIG. 14



B. Electrode

1. Ensure the wire between the electrode and the igniter is securely connected.
2. Check the wire for nicks, cuts, or mars. Nicks or cuts will prevent a spark from being generated at the electrode tip. Replace the electrode if necessary. The electrode ships with the wire.
3. Ensure electrode tip is 1/8 in. (3.0 mm) from the pilot head. Clean the electrode with emery cloth or steel wool. See Fig. 15.
4. Verify that the electrode's insulator body is not cracked and that the electrode rod does not move within its the body. If it does, replace the electrode.

FIG. 15



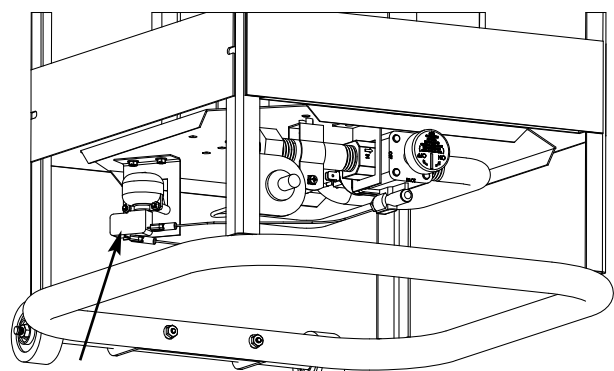
TIP SWITCH

The tip switch is a normally closed device. It will open the circuit to the safety control valve and shut the burner off if the heater is accidentally tipped over, moved while in operation, or operating on an inclined surface.

The tip switch must be tested before each use.

- Place the heater to normal operating position.
- Light the heater.
- Tip the heater at least 35 degrees. The switch should open and shut the burner off.
- If the heater continues to burn, the switch is defective and should be replaced.

FIG. 16



**TIP SWITCH
(REMOVE SCREWS AND
DISCONNECT LEADS IF REPLACING)**

- This procedure is to be done once a year prior to the heating season, anytime the heater is moved from one job location to the next, or after servicing the heater.

WARNING

- Do not disassemble the safety control valve.
- Do not attempt to replace any components of the safety control valve.
- The safety control must be replaced if any physical damage occurs to it.
- Failure to follow this warning will result in fire or explosions, leading to injury or death, and building damage.

MATERIALS REQUIRED

(To be secured through local purchase)

Quantity	Description
1	Low pressure gauge kit, part number 00764

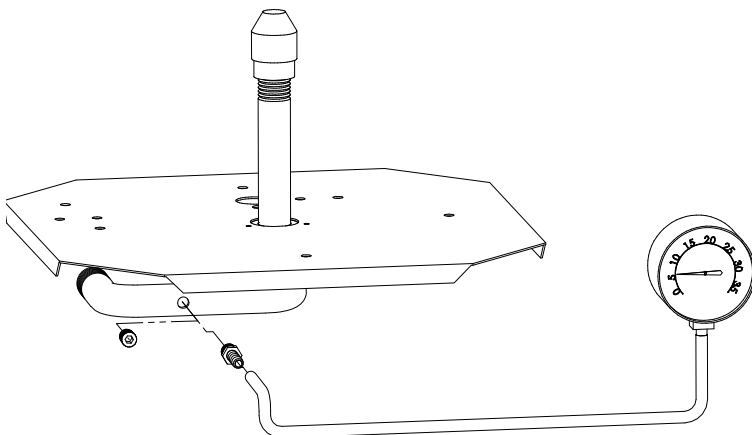
A. PREPARATION

1. Close the fuel supply valve.
2. Allow heater to burn off gas remaining in it's gas hose.
3. Allow the heater to cool.

B. GAUGE INSTALLATION

1. Using a 3/16 in allen wrench, remove the allen plug located on the gas manifold as shown in Fig. 17.
2. Install the gauge at this point. See Fig. 17.
3. Open fuel supply valves to heater.

FIG. 17



C. READING PRESSURES

1. Light the heater. With the heater operating, the pressure gauge should read the pressure specified on the dataplate or in the specification section of this owner's manual.
2. Does the pressure reading agree with that given on the dataplate? If so, no further checking or adjustment is required. Proceed to section D.
3. If the pressures does not agree with that specified on the dataplate, then check the following:
 - Improper regulator for heater.
 - Regulator out of adjustment. (Replace if necessary).
 - Blockage in gas hose.
 - Insufficient size or quantity of propane gas supply containers.

D. COMPLETION

1. Once the proper pressure has been confirmed, close fuel supply valves.
2. Allow heater to burn off fuel remaining in gas supply line, and allow the heater to cool.
3. Remove the gauge.
4. Install allen plug into manifold, tightening securely.
5. Check for gas leaks.

Troubleshooting Information

<u>PROBLEMS</u>	<u>CAUSES</u>	<u>REMEDIES</u>
1. Pilot will not light.	<ul style="list-style-type: none">* Fuel supply valves closed.* Pilot button not fully depressed.* Pilot orifice is plugged.* Inlet screen at pilot orifice is plugged.* Restriction in gas hose or pilot line.* Air in gas line.* Defective pilot safety control valve.* No spark at electrode.	<ul style="list-style-type: none">* Open fuel supply valves.* Depress pilot button completely.* Clean or replace pilot orifice.* Clean or replace screen.* Remove hose or pilot line from heater and blow out with compressed air or replace if necessary.* Depress pilot button (normally 30 seconds is sufficient) on pilot valve to purge air from line (usually necessary at time of installation).* Replace pilot safety control valve.* Refer to igniter and electrode service instruction section for problems associated with these parts.
2. The pilot lights, but will not stay lit when pilot button is released.	<ul style="list-style-type: none">* Restriction in gas hose or pilot line.* Insufficient time allowed for pilot light to heat up thermocouple.* Loose thermocouple.* Defective thermocouple.* Pilot orifice is plugged.* Defective pilot safety control valve.* Improper gas pressure.	<ul style="list-style-type: none">* See remedy for same cause in Problem #1.* Hold in pilot button for 30 seconds to allow proper warm up.* Tighten thermocouple at gas control and make sure it is securely pushed into pilot bracket. Tighten finger tight and snug the contact nut with an appropriate wrench.* Replace thermocouple.* See remedy for same in Problem #1.* Replace pilot safety control valve.* Set pressure according to pressure on dataplate.
3. Pilot lights, but not the main burner.	<ul style="list-style-type: none">* If using LP gas, container is low or empty.* Safety control valve not positioned to ON..* Burner orifice plugged.	<ul style="list-style-type: none">* Refill or replace container.* Position the control to ON.* Clean the burner orifice.
4. Heater not delivering maximum heat output.	<ul style="list-style-type: none">* Gas supply valves not fully open.* Burner orifice plugged.	<ul style="list-style-type: none">* Open valves completely.* Clean burner orifice with compressed air or replace.
5. Pilot stays lit but main burner goes out.	<ul style="list-style-type: none">* Improperly sized LP gas supply	<ul style="list-style-type: none">* Resize to larger LP gas supply

Heater Component Function

BURNER

Component at which combustion of fuel gases takes place.

BURNER ORIFICE

Metering device used to feed gas to burner at a specific rate, with the appropriate pressure.

ELECTRODE

Ignites gas by spark. Receives spark voltage from piezo igniter.

GAS HOSE

Flexible connector used to convey gas from supply line or cylinder to heater.

PIEZO IGNITER

Generates ignition voltage when igniter button is pushed. This voltage is sent to electrode to provide spark.

PILOT ORIFICE

Metering device used to supply gas for the dual purpose of igniting the main burner and heating the thermocouple.

REGULATOR

The heart of any gas supply installation. Used to deliver a working pressure to the appliance under varying conditions in tank pressure.

SAFETY CONTROL VALVE

A gas control valve which is held open by electrical power supplied by the thermocouple and which closes automatically to shut off the flow of gas to the main burner when flame is extinguished or is too small to heat the thermocouple.

THERMOCOUPLE

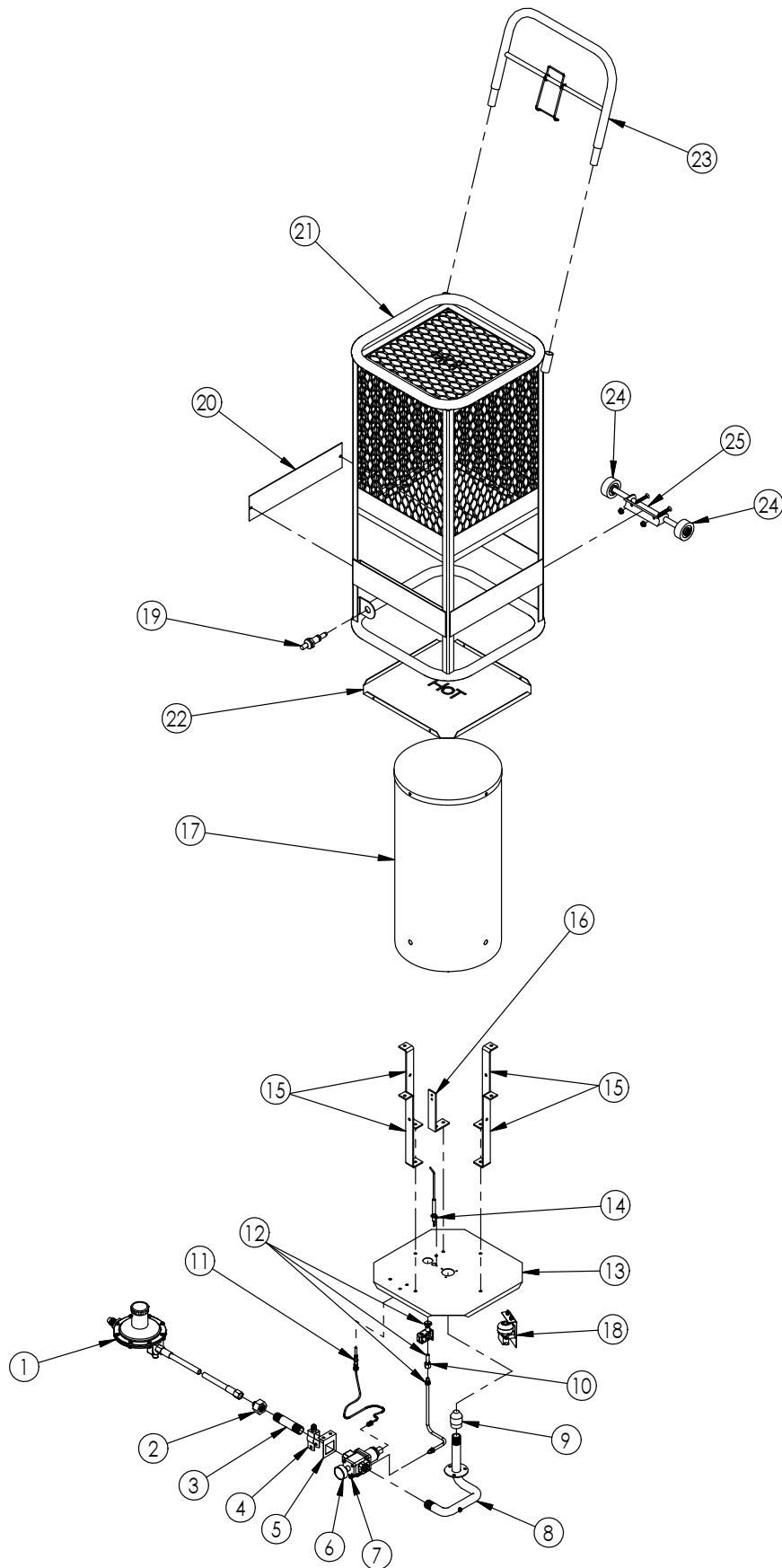
A thermoelectric device that converts heat directly into electrical energy. Works in conjunction with electromagnet in gas control valve thereby assisting in maintaining gas supply for the pilot light.

TIP SWITCH

A normally closed switch that opens the connection between the thermocouple and safety control if the heater is tipped over, thereby shutting the heater down.

Parts Identification

Parts Schematic



Parts List

Item	Description	Part Number
1	Regulator w/ hose,LP gas	573271
	Regulator, Natural gas (not shown)	573272
2	Adapter	573323
3	Nipple	573278
4	Clamp	573279
5	Bracket	573321
6	Knob, gas control valve	573265
7	Pilot safety control valve, with knob	573264
8	Burner manifold	573280
9	Burner orifice, LP gas	573281
	Natural gas	573282
10	Pilot orifice, LP gas	573266
	Natural gas	573269
11	Thermocouple	573267
12	Pilot assembly, LP gas	573268
	Natural gas	573322
13	Mounting plate	573301
14	Electrode	573273
15	Support leg	573300
16	Pilot support leg	573304
17	Emitter	573303
18	Tip switch	573297
19	Piezo igniter	573274
20	Removable side shield	573302
21	Frame LP gas	573298
	Natural gas	573299
22	Top plate	573296
23	Handle	573277
24	Wheel	573276
25	Axle assembly with wheels	573275

Warranty Policy

HEATER

L.B. White Co., Inc. warrants that the component parts of its heater are free from defects in material and workmanship, when properly installed, operated, and maintained in accordance with the Installation and Maintenance Instructions, safety guides and labels contained with each unit. If, **within 24 months from the date of purchase by the end user**, any component is found to be defective, L.B. White Co., Inc. will at its option, repair or replace the defective part or heater, with a new part or heater, F.O.B., Onalaska, Wisconsin.

Registering your product online with L.B.White will automatically qualify a unit and its component parts for warranty consideration. If a product has not been registered with L.B.White, a copy of the bill of sale will be required to establish warranty qualification. If neither is available, the warranty period will be 24 months from date of shipment from L B. White.

PARTS

L.B. White Co., Inc. warrants that replacement parts purchased from the company and used on the appropriate L. B. White equipment are free from defects both in material and workmanship for **24 months from the date of purchase by the end user**. Warranty is automatic if a component is found defective within 24 months of the date code marked on the part. If the defect occurs more than 24 months later than the date code but within 24 months from the date of purchase by the end user, a copy of a bill of sale will be required to establish warranty qualification.

duration to the duration of the applicable warranty stated above. The remedies set forth above are the sole and exclusive remedies available hereunder. L.B. White will not be liable for any incidental or consequential damages directly or indirectly related to the sale, handling or use of the equipment, and in any event L.B. White's liability in connection with the equipment, including for claims based on negligence or strict liability, is limited to the purchase price.

The warranty set forth above is the exclusive warranty provided by L.B. White, and all other warranties, including any implied warranties or merchantability or fitness for a particular purpose, are expressly disclaimed. In the event any implied warranty is not hereby effectively disclaimed due to operation of law, such implied warranty is limited in

Some states do not allow limitations on how long an implied warranty lasts, so the above limitation may not apply to you. Some states do not allow the exclusion or limitation of incidental or consequential damages, so the above limitation or exclusion may not apply to you. This warranty gives you specific legal rights, and you may also have other rights which vary from state to state.

To register your product and ensure full warranty, go to <http://www.lbwhite.com/product-registration>. Please have the serial number(s) and model(s) handy for the products you are registering.

Replacement Parts and Service

Contact your local L.B. White dealer for replacement parts and service or call the L.B. White Co., Inc. at 1-800-345-7200

for assistance. Be sure that you have your heater model number and configuration number when calling.



Manuel de l'utilisateur

Appareils de chauffage par rayonnement
pour la construction Sun Blast™

Vous pouvez consulter ce manuel en ligne à www.lbwhite.com



<u>MODÈLE</u>	<u>PUISSANCE</u>	<u>COMBUSTIBLE</u>
---------------	------------------	--------------------

CR125AZPA220206	36.6 kW	Soutirage de Vapeur de Propane
CR125AZNA220207		Gaz Naturel



Intertek

4009176

BALAYEZ CE CODE QR

avec votre téléphone

intelligent ou consultez la



page <http://goo.gl/nvneR> pour regarder
des vidéos sur l'entretien des appareils
de chauffage de L.B. White. *

*Exige une application telle que QR Droid pour Android ou
QR Reader pour iPhone.

Félicitations!

Vous avez acheté le meilleur appareil de chauffage par rayonnement pour la
construction qui soit.

Votre nouvel appareil L.B.White a été construit par une entreprise fière et
expérimentée qui utilise une technologie de pointe dans la fabrication de ses
appareils de chauffage.

L.B. White, tient à vous remercier de la confiance que vous lui témoignez et
vous invite à lui communiquer tout commentaire ou suggestion, sans-frais, au
1-800-345-7200

A TOUS LES UTILISATEURS-VEUILLEZ PRENDRE NOTE :

Cet appareil a été testé et évalué par le C.S.A. International, selon les normes en
vigueur: ANSI Z83.7 CSA 2.14. Il est homologué et approuvé à titre d'appareil de
chauffage de construction à chauffage direct pour une utilisation sur planchers
potentiellement combustibles. Cet appareil a été conçu comme étant un appareil
de chauffage portatif et d'usage temporaire dans le chauffage d'immeubles en
construction, en rénovation ou en réparation. Dans l'éventualité où vous désiriez
utiliser cet appareil à des fins autres que celles énumérées ici, nous vous prions de
communiquer avec votre détaillant de produits de gaz ou L.B. White Co. Inc.



World Provider - Innovative Heating Solutions

411 Mason Street, Onalaska, WI 54650 ■ (800) 345 7200 ■ (608) 783 5691 ■ (608) 783 6115, fax ■ www.lbwhite.com

 **MISE EN GARDE GÉNÉRALE**

- **Le non-respect des mesures de précautions ainsi que des directives d'utilisation de cet appareil, telles que décrites dans ce manuel peut entraîner :**
 - La mort
 - Des blessures graves et des brûlures
 - Des dégâts matériels allant jusqu'à la perte d'une propriété dû au feu ou à une explosion
 - Une intoxication grave due à l'inhalation de monoxyde de carbone ou résultant d'une ventilation inadéquate
 - Décharge électrique
- Lire attentivement ce manuel avant d'installer ou d'utiliser cet appareil.
- Seul un employé qualifié devrait installer ou réparer cet appareil.
- Garder ce manuel pour une consultation ultérieure ou pour vous y référer en cas d'interrogations sur le fonctionnement de l'appareil.
- Les manuels de l'utilisateur et les étiquettes de remplacement sont offerts gratuitement. Veuillez contacter votre détaillant ou L.B. White Co. Inc. au 1-800-345-7200

 **ATTENTION**

- L'arrivée de gaz de l'appareil doit être alimenté par une pression de gaz adéquate.
- Se référer à la fiche signalétique pour s'assurer de la pression de gaz requise.
- Une pression de gaz d'alimentation excédent les spécifications maximales de l'appareil, tel que spécifié, peut causer un incendie ou une explosion.
- Un incendie ou une explosion peut résulter en de blessures sérieuses, en décès ou en dommages matériels considérables.
- Une pression de gaz d'alimentation en deçà des spécifications minimales de l'appareil peuvent causer une combustion inadéquate.
- Une combustion inadéquate peut entraîner des risques d'asphyxie ou d'intoxication au monoxyde de carbone entraînant des blessures sérieuses ou la mort.

 **ATTENTION**

Risques d'explosion ou d'incendie

- Non-recommandé pour un usage résidentiel ou dans un véhicule récréatif.
- L'utilisation de cet appareil dans une résidence ou dans un véhicule récréatif peut entraîner des risques d'incendie ou d'explosion.
- Un incendie ou une explosion peuvent entraîner des blessures sérieuses ou la mort.

POUR VOTRE SÉCURITÉ

Ne pas entreposer de gazoline ou toutes autres substances ou liquides inflammables dans la même pièce que cet appareil ou tout autre appareil de même nature.

POUR VOTRE SÉCURITÉ

Si vous sentez une odeur de gaz :

1. Ouvrez les fenêtres.
2. Ne pas activer d'interrupteurs électriques.
3. Éteindre toute flamme.
4. Contacter immédiatement votre fournisseur de produits de gaz.

 **ATTENTION**

Risques d'explosion ou d'incendie

- Maintenir tout combustibles solides à une distance sécuritaire de l'appareil.
- Le bois, les dérivés de papier, les matériaux de construction et la poussière sont autant de combustibles solides.
- Ne pas utiliser l'appareil dans un endroit où l'on retrouve des substances volatiles ou des combustibles en suspension.
- La gazoline, les solvants, les diluants de peinture, les particules de poussière et les substances chimiques d'origines inconnues sont autant de substances volatiles ou de combustibles en suspension.
- Le non-respect de ces consignes peut entraîner un incendie ou une explosion.
- Un incendie ou une explosion peuvent entraîner des blessures sérieuses ou la mort.

SECTION	PAGE
Informations générales	3
Spécifications techniques de l'appareil	4
Consignes de sécurité	5
Directives d'installation	
Informations générales	7
Assemblage du boyau d'alimentation et du régulateur	9
Branchement régulateur a l'alimenetaion en gaz propane	9
Poignée	10
Roulettes	10
Directives pour l'allumage	11
Directives pour l'extinction	11
Directives de nettoyage	12
Directives d'entretien	12
Directives pour le service	
Généralités	13
Valve de contrôle et orifice du bruleur	13
Barillet d'orifice della veilleuse	14
Thermocouple	14
Allumeur et électrode	15
Interrupteur de basculement	15
Verification de la pression de gaz	16
Dépannage	17
Fonction des différentes composantes de l'appareil	18
Identification des pièces composantes	
Schéma des pièces composantes	19
Liste des pièces composantes	20
Garantie	21
Pièces de remplacement et service	21

Informations Générale

Lorsque vous devez avoir recours à une assistance technique, assurez-vous d'avoir en votre possession, le numéro de modèle et de configuration de l'appareil ainsi que son numéro de série. Vous trouverez cette information sur la fiche signalétique de l'appareil.

Ce manuel vous renseigne sur la façon appropriée d'utiliser et de maintenir votre appareil en bon état de fonctionnement. S'assurer que votre installateur qualifié passe en revue les différentes sections de ce manuel en votre compagnie, de sorte que vous puissiez parfaitement comprendre le mode fonctionnement de l'appareil.

L'installation de la ligne d'alimentation de gaz, la mise en service de l'appareil de chauffage ainsi que les travaux

d'entretien et de réparation de celui-ci demandent une connaissance experte des appareils de chauffage au gaz et ne devraient jamais être confiés à une personne non-qualifiée. Se référer à la page 6 pour connaître les qualifications nécessaires.

Veillez communiquer avec votre détaillant local de produits L.B.White ou avec L.B. White directement pour toute interrogation ou assistance au sujet de cet appareil et son fonctionnement.

L.B. White croit fermement dans le développement et l'amélioration constante de ses produits. Nous nous réservons le droit de modifier les spécifications et la conception de l'appareil sans préavis.

Spécifications

Model

CR125

SPECIFICATIONS

Combustible	Gaz Propane	Gaz Naturel
Puissance (kW)	36,6	
Pression au manifold du brûleur (kPa)	2,50	1,38
Consommation de combustible à l'heure	2,63	9,3 m ³
Dimensions - (cm) L x W x H	38,7 x 38,7 x 87	
Distance minimales de dégagement des matières combustibles environnantes (Mètres)	DESSUS	1,52
	COTES	1,52
	ALIMENTATION GAZ PROPANE	1,83
	EN GAZ GAZ NATUREL	N/A

Consignes de sécurité

ATTENTION **Risques d'asphyxie**

- Ne pas utiliser cet appareil pour le chauffage d'un logement habité, garages, ateliers, ou autres espaces confinés..
- Ne pas utiliser dans un espace mal aéré.
- Ne pas obstruer l'apport d'air nécessaire à la combustion ainsi que l'air chaud évacué.
- Permettre une aération adéquate pour permettre l'apport nécessaire d'air à la combustion.
- Une mauvaise ventilation entrainera une combustion inadéquate.
- Une combustion inadéquate peut entrainer des blessures sérieuses ou la mort suite à un empoisonnement au monoxyde de carbone. Les symptômes incluent des pertes de conscience, maux de tête, étourdissements et des difficultés à respirer.
- L'air suffisant de ventilation pour la combustion doit être conformément fourni à OSHA 29 CFR 1926,154, Appareils de Chauffage Temporaires, les Conditions de Sécurité d'A10.10, D'ANSI pour Appareils de Chauffage d'Espace Temporaires et Portatifs, et la CAN B149, Gaz Naturels et le Code d'Installation de Propane, comme s'approprier

DÉTECTION D'UNE ODEUR DE GAZ

Le gaz propane ainsi que le gaz naturel ont été intentionnellement additionnés d'additifs odorants permettant leur identification et la détection de fuites possibles. Advenant une fuite, il est donc fort probable que vous puissiez sentir la présence de gaz dans l'air ambiant. VOILÀ VOTRE SIGNAL-UNE ACTION IMMÉDIATE S'IMPOSE!

- Ne poser aucun geste qui puisse enflammer le gaz. Ne pas activer d'interrupteurs électriques. Ne pas débrancher de fils d'alimentation électrique ou d'extensions. Ne pas allumer d'allumettes ou tout autre flamme. N'utiliser pas votre téléphone.
- Évacuer toutes les personnes présentes sur les lieux, le plus loin possible du secteur affecté.
- Fermer les valves de tous les réservoirs de propane ou autres bonbonnes de combustible ou la valve situé près du compteur si vous utilisez du gaz naturel.
- Le gaz propane étant plus lourd que l'air, il tendra à s'accumuler au ras du sol ou dans les espaces situés sous le niveau du sol. Éviter de se retrouver sous le niveau du sol.
- Le gaz naturel étant plus léger que l'air, aura tendance à s'accumuler au plafond ou aux étages supérieurs.
- Utiliser le téléphone d'un voisin et prévenir votre fournisseur de gaz ou le service des incendies. Ne pas réintégrer l'immeuble ou le périmètre affecté.
- Rester à l'écart de la zone affectée jusqu'à ce que le fournisseur de gaz et le service des incendies en ait donné la permission.
- **Finalement**, laisser le personnel du fournisseur de gaz ainsi que les représentants du service des incendies identifier la présence de gaz échappé. S'assurer que ceux-ci aèrent convenablement l'immeuble avant d'y retourner. S'assurer que la fuite est colmatée et réparée par du personnel qualifié. Bien s'assurer que la fuite a bel et bien été colmatée et seulement alors, rallumer l'appareil.

DIMINUTION DE L'INTENSITÉ DE L'ODEUR - ABSENCE D'ODEUR

- **Certaines personnes n'ont pas un sens de l'odorat très développé. Certains individus ne peuvent simplement pas sentir les additifs chimiques ajoutés aux gaz. Vous devez savoir si vous êtes en mesure de sentir les odeurs caractéristiques du gaz propane et du gaz naturel.**
- Apprenez à reconnaître les odeurs propres aux différents gaz. Votre fournisseur de gaz devrait pouvoir vous remettre une carte à gratter sur laquelle vous reconnaîtrez les odeurs caractéristiques des différents types de gaz.
- Le tabagisme peut entrainer une réduction de votre acuité olfactive. De plus, le fait d'être longtemps en contact avec une odeur donnée peut réduire votre capacité de l'identifier.
- **Les additifs odorants ajoutés aux gaz propane et naturel sont incolores et l'intensité de leur odeur peut faiblir dans certaines circonstances.**
- Si la fuite de gaz est souterraine, le mouvement du gaz au travers du sol peut en filtrer les additifs odorants.
- Le gaz propane étant plus lourd que l'air, l'intensité de son odeur peut varier à différents niveaux de hauteur. Son intensité peut être plus forte aux niveaux inférieurs.
- **Toujours être très alerte quant à la présence d'odeur de gaz.** Considérez la présence d'odeur comme étant une fuite potentielle. Réagissez en conséquence immédiatement.

ATTENTION-POINTS IMPORTANTS À NE PAS OUBLIER!

- Le gaz propane et le gaz naturel ont des odeurs bien distinctes. Apprenez à les reconnaître. (Se référer aux sections ci-haut.)
- Si vous n'avez pas reçu la formation appropriée quant à l'entretien et la réparation d'appareils de chauffage au gaz propane ou au gaz naturel, veuillez vous abstenir de faire usage de celui-ci, de tenter d'en faire l'entretien, de le réparer ou de modifier ses ajustements.
- Même si vous n'êtes pas l'utilisateur principal de l'appareil ou que vous n'êtes pas formé dans l'entretien et la réparation d'appareils de chauffage au gaz, apprenez quand même à reconnaître les odeurs caractéristiques des gaz propane et naturel.
- Une inspection périodique consistant à sentir, autour de l'appareil, de ses boyaux d'alimentation, raccords, etc.. pour y détecter la présence de fuite est une excellente initiative préventive à prendre. Si vous détectez une odeur suspecte, contactez immédiatement votre fournisseur de gaz. N'attendez pas!



MISE EN GARDE

Risque de brûlure

- Les radiateurs sont généralement silencieux lorsqu'ils sont en marche.
- Prêtez toujours attention à la distance qui vous sépare du radiateur lorsqu'il fonctionne.
- Ne touchez pas le radiateur et ne vous en approchez pas plus près de ce qui est indiqué sur la plaque signalétique et dans le guide de l'utilisateur.
- Le non-respect de cette mise en garde pourrait entraîner des brûlures et l'inflammation des vêtements, se soldant par de graves blessures.

1. Ne pas entreprendre d'installer ou d'effectuer des travaux d'entretien ou de réparation sur cet appareil ou sur la ligne d'alimentation en gaz, à moins d'être un expert qualifié dans l'utilisation et le service d'appareils au gaz.

Les compétences requises pour effectuer l'entretien ou la réparation ainsi que l'installation de cet appareil sont :

- a. Pour être reconnu comme étant une personne qualifiée dans le service d'appareils de chauffage au gaz, il faut avoir reçu la formation adéquate en plus de posséder une longue expérience dans l'utilisation et l'entretien d'appareils de chauffage au gaz. Ceci inclut les tâches d'installation, de réparation, de remplacement de pièces et de test de ce type d'appareil. Vous devez pouvoir juger du meilleur emplacement et des meilleures conditions de fonctionnement de ce type d'appareil. Vous devez avoir lu et compris les consignes de sécurité, les fiches signalétiques et le manuel de l'utilisateur de chacun des modèles avec lequel vous travaillez.
 - b. Pour être reconnu comme installateur qualifié d'appareils au gaz, vous devez avoir reçu la formation adéquate en plus de posséder une longue expérience dans tous les aspects entourant l'installation, la réparation, la modification de lignes d'alimentation de gaz en plus de pouvoir choisir et installer le bon équipement avec le bon réservoir et les lignes de gaz appropriées. Ceci doit être fait dans le plus grand respect des normes de l'industrie, des standards et règlements municipaux, provinciaux ou fédéraux ainsi que des recommandations du fabricant.
2. L'utilisation et l'installation des appareils de chauffage de L.B. White doit en tout temps répondre aux normes et réglementations en vigueur aux niveaux municipal, provincial ou fédéral. Celles-ci se réfèrent tant au gaz, à l'électricité qu'aux consignes de sécurité. Votre fournisseur local de gaz, un électricien professionnel, votre service local des incendies, les agences gouvernementales appropriées ainsi que votre agent d'assurance peuvent vous aider à connaître et à vous conformer aux normes en vigueur. Se référer également à :
 - CAN/CSA B149.1 Code d'installation du gaz propane et du gaz naturel.
 3. Le chauffage ne doit en aucun cas être dirigé vers une bouteille de gaz propane à moins de 20 pi (6 m) de distance.

4. Lorsque l'appareil de chauffage est déplacé, le déconnecter de son réservoir d'alimentation en gaz propane.
5. Ne pas déplacer l'appareil de chauffage lorsqu'il fonctionne.
6. Il nous est parfois ardu de prédire les conséquences de l'utilisation de nos appareils dans certaines conditions particulières. Communiquez avec le service des incendies de votre localité pour toute interrogation au sujet d'applications particulières.
7. Il existe d'autres normes et codes qui régissent l'utilisation d'appareils au gaz dans certaines circonstances et applications particulières. S'en informer auprès des autorités de votre localité.
8. N'utilisez que de l'air comprimé, une brosse à poils doux ou un chiffon propre pour nettoyer l'intérieur de l'appareil ainsi que ses composantes. Laisser l'appareil de chauffage refroidir complètement avant d'en effectuer le nettoyage ou l'entretien.
9. Sur les branchements filetés, toujours utiliser une pâte isolante approuvée pour une utilisation sur des branchements de gaz naturel ou de gaz propane.
10. Ne pas obstruer l'apport d'air nécessaire à la combustion ainsi que l'air chaud évacué. Ne pas respecter cette consigne entraînerait une combustion incorrecte et pourraient entraîner des bris de pièces internes pouvant résulter en dommages matériels à la propriété.
11. Le tuyau de gaz doit être inspecté visuellement avant chaque utilisation de l'appareil de chauffage. Si des marques apparentes d'abrasion excessive, d'usure ou si le boyau est coupé, il doit être remplacé avant de réutiliser l'appareil. Le boyau d'alimentation en gaz doit être à l'abri d'accumulation de débris de construction ainsi que de surfaces très chaudes. L'assemblage du boyau d'alimentation doit être en tous points conformes aux spécifications du fabricant. Voir la liste de pièces.
12. Faire une vérification du bon fonctionnement de l'appareil ainsi que de la présence de fuites de gaz avant la mise en service de l'appareil ou après l'avoir déplacé. Se référer aux étapes de vérification de présence de fuites dans la section Installation du présent manuel.
13. Cet appareil devrait faire l'objet d'une inspection avant chaque utilisation par une personne qualifiée ainsi qu'au moins une fois, en détail, annuellement.
14. Toujours fermer l'alimentation en gaz si l'appareil n'est pas en utilisation pour chauffer l'aire de travail.
15. Si l'alimentation en gaz est coupée et que la flamme s'éteint; attendre au moins 5 minutes avant de rallumer l'appareil de sorte que tous gaz accumulés aient eu la chance de se dissiper.
16. Un réservoir de gaz propane d'une dimension minimale de 45 kg est requise pour l'alimentation de cet appareil. Lors de l'utilisation d'un système d'alimentation par réservoir, le système doit être conçu de manière à effectuer le retrait des vapeurs de gaz du réservoir en fonction.

17. Lors de l'entreposage de l'appareil à l'intérieur, les branchements entre le(s) réservoir(s) de gaz propane et l'appareil doivent être débranchés en plus de séparer le (s) réservoir(s) de l'appareil et l'entreposer conformément aux exigences du Code -CSA B149.1 d'installation du gaz propane et du gaz naturel.
18. Les branchements des réservoirs de gaz propane ont un filage inversé (anti-horaire). S'assurer de toujours utiliser la clé appropriée pour dévisser le raccord P.O.L. sur la valve de sortie du réservoir. Ne pas utiliser de pinces.

Directives d'Installation

INFORMATIONS GÉNÉRALES



ATTENTION

**Risque d'incendie ou d'explosion
Peut entraîner la mort, des blessures sérieuses et
des dégâts matériels .**

1. Pour prévenir l'accumulation dangereuse de gaz en suspension, fermer l'alimentation de gaz au niveau de la valve de sûreté de l'appareil avant de procéder à l'installation, puis faire un test de détection de fuite de gaz après la fin de l'installation.
2. Ne pas forcer le bouton de contrôle du gaz de la veilleuse. N'utiliser qu'une pression normale pour appuyer sur le bouton d'allumage de la veilleuse. N'utilisez jamais d'outils. Si le bouton ne fonctionne pas malgré une pression normale, faire remplacer le bouton de contrôle par un technicien qualifié. Une force excessive ou le fait d'essayer de réparer soi-même le bouton, peut entraîner un incendie ou une explosion.

1. Lire toutes les consignes de sécurité et suivre les recommandations de L.B. White lors de l'installation de votre appareil de chauffage. Si, au cours de l'installation ou en déplaçant l'appareil, vous constatez une anomalie ou le bris d'une pièce, contactez un technicien qualifié pour en effectuer la réparation ou le remplacement .
2. Bien positionner l'appareil avant l'usage. Celui-ci doit être à plat, de niveau et sur une surface horizontale et stable lorsqu'il est chaud ou en opération en plus d'être à une distance sécuritaire de matériaux combustibles, tels que murs, planchers ou plafonds. Ne pas placer d'objets pouvant devenir combustibles à l'intérieur des distances sécuritaires de dégagement de l'appareil :

Dessus de l'appareil au plafond	1,52 m
Côtés	1,52 m
Avant	1,83 m
Distance réservoir-appareil (minimum)	3,05 m

3. Exigences relatives à l'installation du gaz propane

- S'assurer que **tous les** L. P. conteneurs de gaz sont garantis accidentelle de basculer et sont protégés par des personnes, la circulation automobile et contact.
- Les bouteilles de gaz propane doivent être placées sur une surface plane, stable et de niveau.

Il convient de communiquer avec les autorités locales, le fournisseur de gaz ou le service des incendies pour connaître la réglementation relative à l'installation de l'appareil de chauffage dans votre localité.

4. Placer l'appareil ainsi que le boyau d'alimentation en gaz à l'écart des endroits plus passants. Prévoir une protection adéquate pour les tuyaux, de sorte qu'ils soient protégés des risques de bris dus à la circulation ou à la présence d'autres pièces d'équipement de construction.
5. L'appareil de chauffage est approuvé pour l'usage intérieur seulement. L'appareil de chauffage sera s'installé il n'est pas directement exposé pour arroser le spray, la pluie, ou dégoutter l'eau.
6. Le régulateur de pression du gaz de l'appareil (avec valve -soupape de pression) doit être protégé des intempéries (gel, pluie, neige) ainsi que des matériaux de construction (goudron, ciment, plâtre, etc.) qui peuvent en altérer le bon fonctionnement et causer des blessures ou des dommages matériels.
7. Les appareils utilisés dans les mêmes lieux que des toiles, polythènes, bâches ou autres toiles protectrices de semblable nature, doivent être placés à une distance minimale de 3.04 metres de ces toiles. Ces toiles doivent avoir été fixées de façon solide et sécuritaire de manière à éviter un incendie ou un mauvais fonctionnement de l'appareil due aux effets du vent sur la toile.erial.

8. Vérifier chacun des branchements pour y détecter approuvé. Le test de présence de fuite de gaz se déroule ainsi :



ATTENTION

Risques d'incendie ou d'explosion

- Ne pas utiliser de flamme nue (allumettes, torches, bougies, etc.) lors d'une vérification de fuites.
- N'utiliser que des détecteurs de fuites approuvés.
- Le non-respect de ces consignes peut résulter en un incendie ou en une explosion.
- Un incendie ou une explosion peuvent entraîner la mort, des blessures sérieuses ou des dommages matériels importants.

- Vérifier tous branchements de tuyaux d'alimentation et de lignes, connecteurs et adaptateurs jusqu'au branchement de la valve de contrôle du gaz avec un détecteur de fuites
- Vérifier tous branchements de tuyaux et boyaux d'alimentation ainsi que les connecteurs et adaptateurs jusqu'au branchement de la valve de contrôle du gaz avec un détecteur de fuites approuvé.
- Advenant la présence d'une fuite, vérifier la propreté et l'intégrité des pièces en cause ainsi que l'état de la pâte isolante aux branchements avant de resserrer ceux-ci à nouveau.
- Bien serrer les branchements si cela s'avère nécessaire afin d'arrêter la fuite de gaz.
- Une fois les branchements vérifiés et toutes les fuites colmatées, procéder à l'allumage du brûleur principal.
- Se tenir à une distance sécuritaire du brûleur principal lors de l'allumage pour éviter les blessures dues à la présence de fuites indétectées pouvant créer des retours de flammes.
- Alors que fonctionne le brûleur principal, vérifier tous les branchements et couplages de l'appareil, des lignes d'alimentation ainsi que les connexions d'entrée et de sortie de la valve de contrôle de l'alimentation en gaz à l'aide d'un détecteur de fuites de gaz approuvé.
- S'il y a présence d'une fuite, vérifier la propreté des pièces en cause notamment dans le filage des joints de branchement où il pourrait y avoir quelques saletés, puis appliquer à nouveau de la pâte isolante avant de resserrer les branchements.

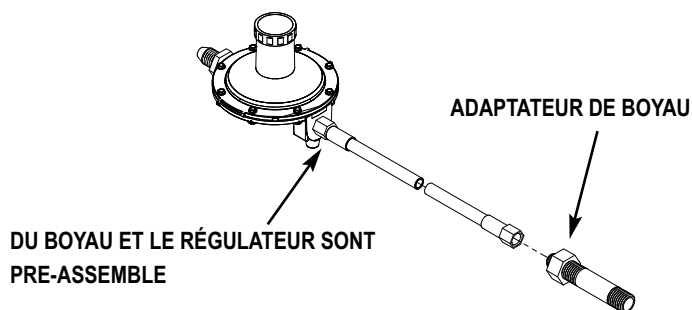
- Serrer les branchements et les joints.
- Si la fuite persiste, remplacer la pièce en cause.
- S'assurer que toutes les fuites ont été identifiées et colmatées avant de continuer d'opérer l'appareil.

9. Une vérification de la pression du gaz doit être effectuée par le représentant d'une autorité compétente en la matière avant l'installation de l'appareil de chauffage.
10. Allumer l'appareil selon les instructions que l'on retrouve sur celui-ci ou dans le manuel de l'utilisateur.
11. S'assurer que l'appareil est muni du bon type de détendeur. Un détendeur doit en effet être rattaché à la source d'alimentation de gaz de manière à réguler la pression du gaz à la sortie jusqu'à la valve selon les spécifications de la fiche signalétique et ce, en tous temps. Communiquer avec votre fournisseur de gaz ou avec L.B.White Co. Inc, en cas de doutes.
12. Cet appareil a été conçu afin de fonctionner en outillage de vapeur de propane, uniquement. Ne jamais l'utiliser dans des applications ayant recours à un soutirage de propane liquide. En cas d'interrogations, consulter L.B. White Co. Inc
13. Prendre le temps de bien comprendre comment fonctionne et s'entretient cet appareil de chauffage grâce à ce manuel de l'utilisateur. Assurez-vous que vous savez comment couper le gaz pour le chauffage. Communiquez avec votre fournisseur de gaz pour toute interrogation.
14. Toute pièce défectueuse découverte en cours d'inspection ou d'entretien doit être retirée et remplacée par une pièce neuve immédiatement. L'appareil doit alors être inspecté par une personne qualifiée avant d'être remis en opération.

ASSEMBLAGE DU BOYAU D'ALIMENTATION ET DU RÉGULATEUR

- Raccorder l'extrémité opposée du boyau à la valve de contrôle au niveau de l'appareil de chauffage à l'aide d'un écrou. Bien serrer le raccord. Consulter la figure 1.

FIG. 1



BRANCHEMENT DU RÉGULATEUR À L'ALIMENTATION EN GAZ PROPANE

S'ASSURER QUE LE RÉGULATEUR EST INSTALLÉ SOUS UN CAPUCHON DE PROTECTION.

Régulateur de GPL

1. Retirer le capuchon de protection du raccord P.O.L. Conserver le capuchon. Disposer le régulateur comme indiqué.
 2. Insérer le raccord P.O.L. dans la valve d'alimentation en gaz propane. Consulter la figure 2. Serrer l'écrou sur le raccord dans le sens inverse des aiguilles d'une montre sur la valve d'alimentation en gaz propane. Bien serrer l'écrou à l'aide d'une clé.
- Lors de l'entreposage ou du transport de l'appareil de chauffage, s'assurer que le capuchon est bien sur le raccord P.O.L. afin de prévenir tout dommage et d'empêcher que des saletés ne pénètrent dans le régulateur.

FIG. 2



Régulateur de gaz naturel

Pression d'entrée maximale: 3.36 kPa

Pression d'entrée minimale: 1.74 kPa

- Brancher le régulateur à l'alimentation en gaz naturel. La sortie du régulateur est une prise NPT femelle de 3/8 po.

- Installer la poignée tel qu'illustré dans la figures 3 et 4. **FIG. 4**

⚠ MISE EN GARDE
Risque de brûlure

- Ne pas faire fonctionner l'appareil de chauffage lorsque la poignée est installée.
- La prise de la poignée pendant que l'appareil de chauffage fonctionne ou après son arrêt peut entraîner des brûlures.

POUSSER LE SUPPORT VERS LE BAS POUR LE VERROUILLER

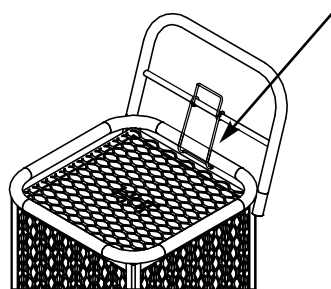
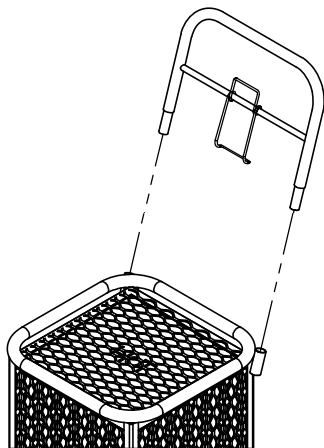


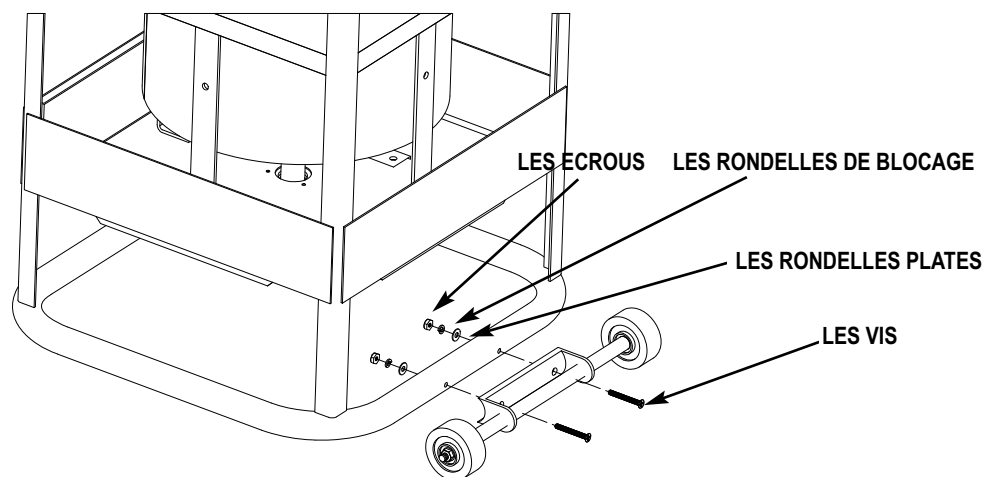
FIG. 3



ROULETTES

- Monter les roues pour le chauffage, comme illustré à la figure 5. Bien serrer.
- Incliner le radiateur sur ses roues pour le mouvement.

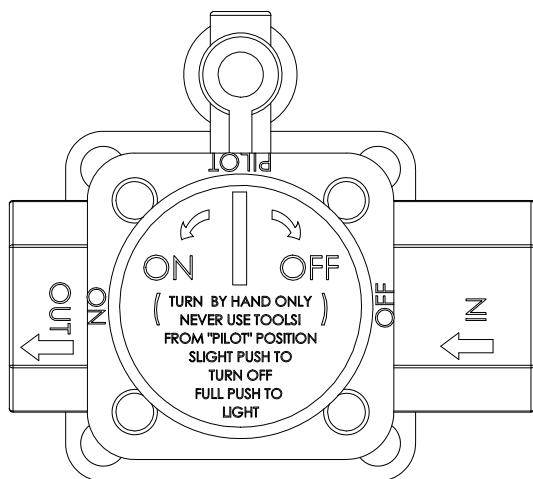
FIG. 5



Directives pour l'allumage

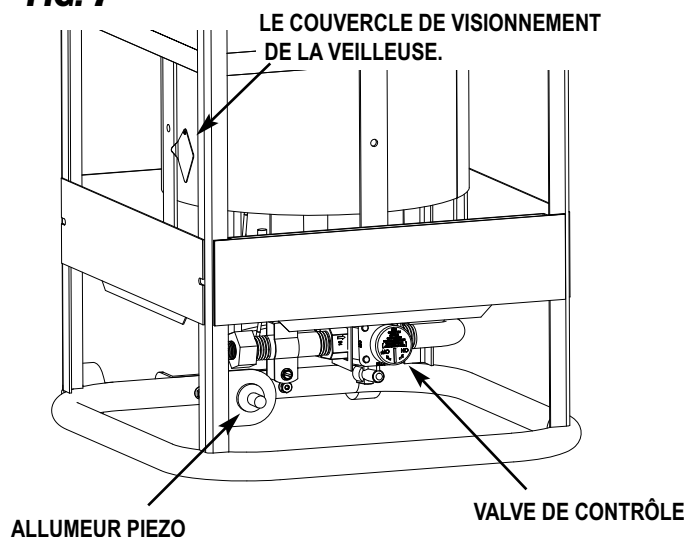
1. Ouvrir lentement la valve d'alimentation en gaz au niveau de l'alimentation en gaz. (Cela permet de prévenir le blocage de la valve de contrôle du débit excédentaire qui se trouve dans le raccord P.O.L. du régulateur.)
2. Faire tourner le bouton de la valve de contrôle du gaz afin que la ligne blanche qui se trouve sur le bouton soit alignée avec le mot PILOT sur la valve de contrôle. Enfoncer complètement le bouton tout en appuyant sur le bouton-poussoir de l'allumeur piézoélectrique. La veilleuse s'allumera. Consulter la figures 6 et 7.

FIG. 6



3. Pour observer la veilleuse, ouvrir latéralement le couvercle de visionnement de la veilleuse. Consulter la figure 8.

FIG. 7



4. Maintenir la pression sur le bouton environ 30 secondes pour permettre le réchauffement du thermocouple.

■ Il faut noter que sur des installations récentes, il peut s'écouler quelques instants avant que le gaz ne chasse entièrement l'air résiduel et que la veilleuse ne s'allume.

5. Relâcher le bouton. La veilleuse devrait rester allumée.
4. Une fois que la veilleuse est allumée, positionnez la flèche du bouton sur ON.

Directives pour l'extinction

1. Fermer toutes les valves d'alimentation en gaz.
2. Permettre à l'appareil de brûler le gaz résiduel dans la ligne d'alimentation.
3. Appuyer légèrement sur le bouton de la valve de contrôle, puis tournez-le sur la position OFF. Consulter la figure 6.
4. Débrancher l'appareil de sa ligne d'alimentation en gaz.

Directives de nettoyage



Risque d'incendie, de brûlures et d'explosion.

- Cet appareil est muni de composantes mécaniques servant à gérer les systèmes de circulation du gaz et de sureté.
- Ces pièces peuvent devenir inefficaces ou endommagées en présence de poussières, saletés, usure et longévité.
- Un nettoyage et une inspection périodique en plus d'un entretien adéquat sont essentiels pour prévenir de sérieuses blessures et des dégâts importants.
- Laisser l'appareil de chauffage refroidir complètement avant d'en effectuer le nettoyage ou l'entretien.

- Donner le chauffage un nettoyage général avant chaque utilisation.



MISE EN GARDE

Ne pas utiliser de l'eau ou une solution nettoyante liquide lors du nettoyage des composants des commandes, car ceci pourrait entraîner de graves blessures ou d'importants dommages matériels :

- * l'utilisation de liquides sur les vannes de commande des gaz cause de la corrosion, ce qui pourrait entraîner des fuites de gaz et, par conséquent, des incendies ou des explosions.

Nettoyez tous les composants du radiateur à l'aide d'air sous pression, d'une brosse sèche ou d'un linge sec.

Directives d'entretien

1. Les lieux entourant le radiateur doivent être dégagés et libres de toute matière combustible, d'essence et d'autres vapeurs et liquides inflammables.
2. Le régulateur doit être inspecté de temps à autre afin d'assurer que l'évent est entièrement dégagé. Des débris, des insectes, des nids d'insectes, de la neige ou de la glace pourraient obstruer les événements du régulateur, et ceci pourrait exercer de la pression sur le radiateur.
3. Il se pourrait que le régulateur s'use et ne fonctionne pas correctement. Demandez à votre fournisseur de gaz de vérifier les pressions de refoulement se rendant à l'appareil afin d'assurer la fiabilité du régulateur.
4. Examinez les canalisations du radiateur s'il y a présence de corrosion, de câblages d'isolation effilochés ou coupés, de raccords serrés, etc. Réparez ou remplacez les pièces au besoin.
5. Lors de l'entretien, examinez l'étiquette d'instructions du radiateur pour vérifier sa lisibilité. Assurez-vous qu'elle n'est pas coupée, déchirée ou endommagée de toute autre façon. Les étiquettes endommagées doivent être remplacées immédiatement; veuillez, pour ce faire, prendre contact avec la L.B. White Co., Inc.
6. Assurez-vous que la canalisation de gaz ne présente pas d'entailles ni de coupures et que les raccords ne sont pas corrodés et ne comportent pas de filetages rayés. Remplacez l'assemblage de la canalisation de gaz au besoin. N'essayez pas de la réparer.

Directives pour le service

GÉNÉRALITÉS

⚠ AVERTISSEMENT Risque de brûlure

- Les surfaces de l'appareil de chauffage restent chaudes durant un certain temps après l'arrêt de l'appareil.
- On laissera l'appareil de chauffage refroidir avant de procéder à son entretien, à son nettoyage ou à sa réparation.
- A défaut de suivre cette directive, des brûlures pourraient s'ensuivre.

⚠ AVERTISSEMENT Risque d'explosion et d'incendie

- Ne pas démonter ni tenter de réparer quelque composant que ce soit de l'appareil de chauffage ou du circuit de gaz.
- On laissera l'appareil de chauffage refroidir avant de procéder à son entretien, à son nettoyage ou à sa réparation.
- À défaut de suivre cette directive, des brûlures pourraient s'ensuivre.

1. Fermer la valve d'alimentation en gaz de l'appareil de chauffage avant de procéder à l'entretien ou à la réparation sauf s'il est nécessaire qu'elle soit ouverte pour effectuer la procédure.
2. Déconnecter la ligne d'alimentation en gaz si cela est nécessaire selon la procédure à effectuer
3. Pour réassembler le système, effectuer les étapes de la procédure dans l'ordre inverse. S'assurer que les raccords de gaz sont bien serrés.
4. Une fois la procédure d'entretien ou de réparation terminée, faire démarrer l'appareil de chauffage pour s'assurer qu'il fonctionne bien. Vérifier s'il y a présence de fuites de gaz.
5. Nettoyer le l'orifice de l'appareil de chauffage avec de l'air comprimé ou un chiffon doux et sec. Ne pas utiliser de lime, de perceuse ou autre pour nettoyer l'orifice. Ces outils peuvent agrandir le trou, ce qui causerait des problèmes de combustion ou permettrait à la flamme du brûleur de s'étendre au-delà du châssis protecteur de l'appareil. Remplacer le manifold s'il n'est pas possible de nettoyer les trous correctement.

VALVE DE CONTRÔLE et ORIFICE DU BRÛLEUR

1. Enlever la vis de serrage à l'entrée de la valve et ouvrir la bride de serrage. Consulter la figure 8.
2. Débrancher les fil du thermocouple de la valve de contrôle et les fil de interrupteur de basculement. Consulter la figure 8.
3. Desserrer le raccord de compression du tube de la veilleuse au niveau du contrôle. Consulter la figure 8.
4. Enlever les trois vis qui fixent le manifold à la plaque de soutien. Consulter la figure 9.
5. Retirer de l'appareil de chauffage l'assemblage de la valve et du manifold. Remplacer ou nettoyer les pièces, au besoin. Consulter la figure 9.

FIG.8

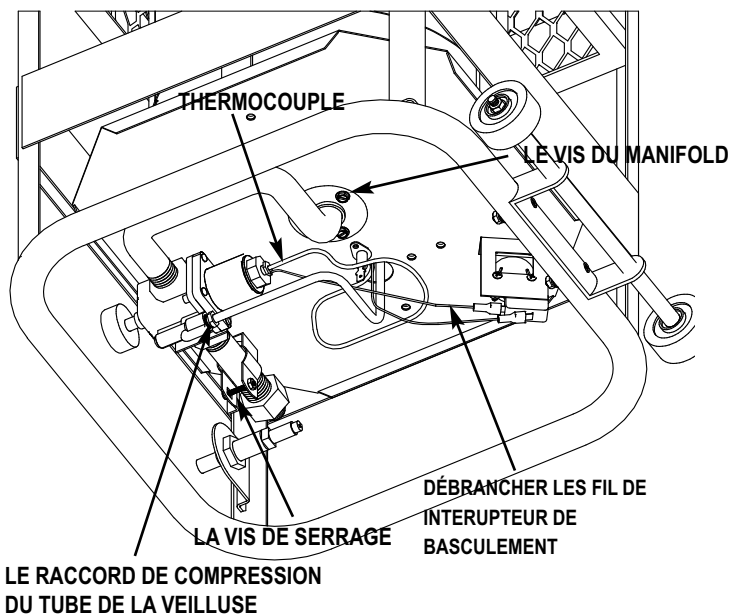
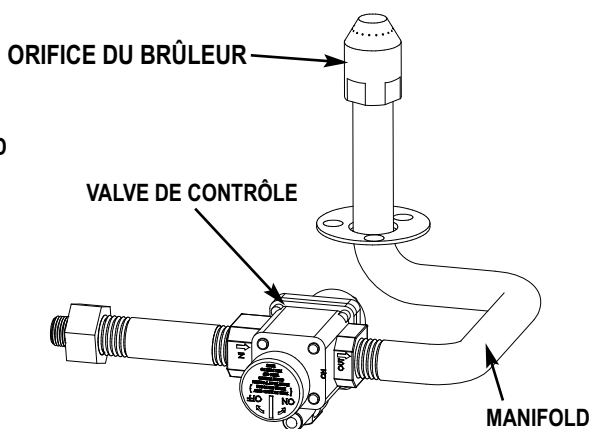


FIG. 9



BARILLET D'ORIFICE DE LA VEILLEUSE

Un orifice obstrué cause une veilleuse inadéquate, ce qui peut entraîner son extinction. La veilleuse doit toucher l'extrémité du thermocouple, tel qu'illustré dans la figure 10. Si la veilleuse semble faible, il est possible que l'orifice de la veilleuse ait besoin d'être nettoyé ou remplacé. Consulter les instructions suivantes.

1. Retirer le panneau latéral de la section inférieure du chauffage. Consulter la figure 11.

FIG. 10

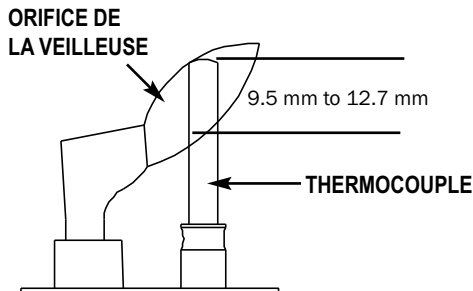
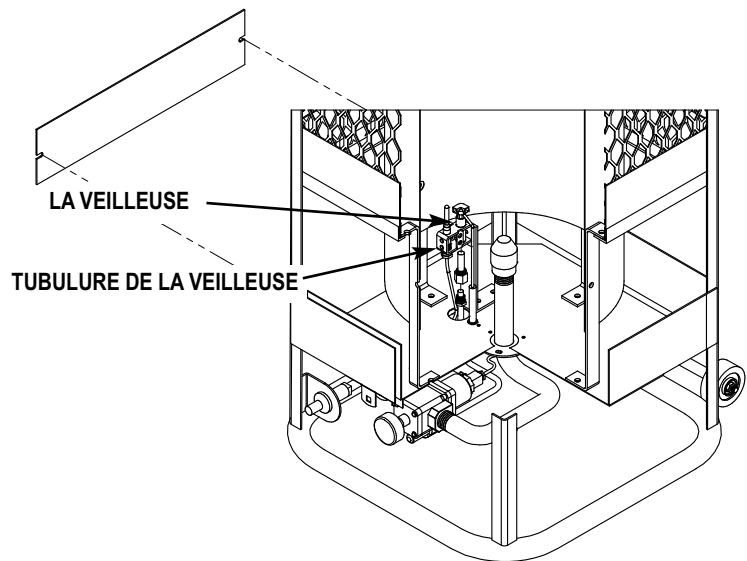


FIG. 12



2. Desserrer le raccord de compression du tube de la veilleuse au niveau de l'orifice de la veilleuse. Consulter la figure 11.
3. Retirer l'orifice de la veilleuse du support de la veilleuse. Consulter la figure 11.
4. Tenir l'orifice à la lumière et s'assurer que les deux trous sont ouverts. S'ils sont obstrués, nettoyer l'orifice en utilisant uniquement de l'air. Remplacer l'orifice au besoin. Reportez-vous à la figure 12 pour observer la comparaison entre les orifices pour propane et ceux pour gaz naturel, ainsi que leur emplacement

FIG. 11



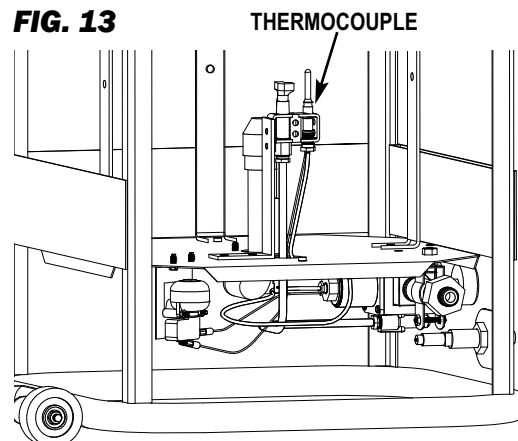
THERMOCOUPLE

Il se peut que l'on doive remplacer le thermocouple si le brûleur s'éteint après une période prolongée de chauffage du thermocouple. Le thermocouple prend généralement entre 30 secondes et une minute à se réchauffer.

- Pour déterminer si le thermocouple est défectueux:
 - Brancher l'interrupteur à bascule même conjointement avec un fil.
 - Brancher un ohmmètre entre les pointe du thermocouple et son bouton contact précédemment connecté à contrôle de la sécurité)
 - Un bon thermocouple donnera un certain niveau de résistance de bout en bout.
 - Un thermocouple défectueux indiquera une surcharge ou une résistance infinie sur le multimètre
1. Retirer le panneau latéral de la section inférieure du chauffage. Consulter la figure 11.
 2. Retirer le thermocouple du support de la veilleuse. Consulter la figure 13.
 3. En utilisant une clé à fourches de 3/8 po., desserrer l'extrémité opposée du thermocouple, au niveau de la valve de contrôle du gaz.

- S'assurer que l'écrou de raccord du thermocouple est entièrement fileté dans le support de la veilleuse. Ainsi, la position du thermocouple par rapport à la veilleuse sera correcte. Si cela n'est pas fait, la veilleuse pourrait s'éteindre.
- Lors de la connexion du thermocouple à la valve de contrôle, visser celui-ci d'abord à la main, puis, une fois bien en place, avec une clé à molette.

FIG. 13



ALLUMEUR et ÉLECTRODE

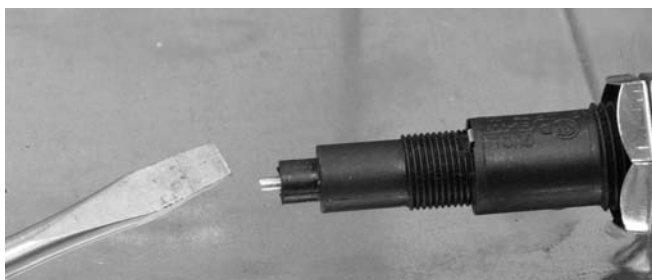
Il est nécessaire de procéder à la réparation de l'allumeur et de l'électrode lorsque aucune étincelle n'est visible au niveau de l'électrode après avoir enfoncé le bouton-poussoir de l'allumeur. Cela peut survenir après une longue période d'utilisation intensive ou s'il y a accumulation de saletés ou de poussières ou un écart incorrect.

Si aucune étincelle n'est générée au niveau de l'électrode, on procédera à la vérification des éléments suivants:

A. Allumeur

1. Retirer le fil relié au bouton-poussoir de l'allumeur.
2. Placer la pointe d'un tournevis à une distance d'environ 3 mm po de l'allumeur. Consulter la figure 14.
3. En tenant le tournevis par sa poignée, appuyer à plusieurs reprises sur le bouton-poussoir de l'allumeur. Si aucune étincelle ne jaillit, remplacer l'allumeur. Si une étincelle est visible, procéder à la réparation de l'électrode.

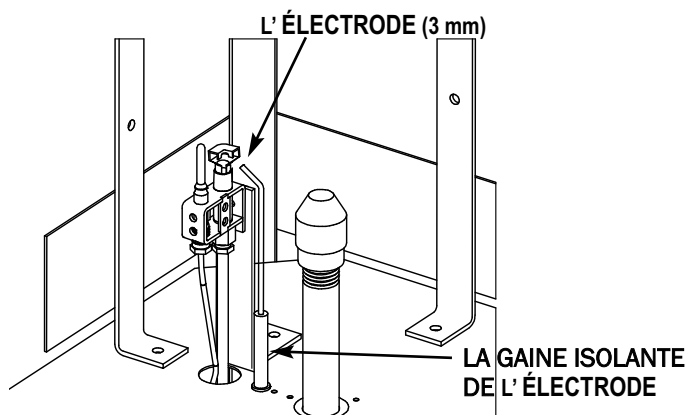
FIG. 14



B. Électrode

1. S'assurer que le fil reliant l'électrode à l'allumeur est bien branché.
2. Vérifier l'état du fil pour y déceler la présence de coupures, d'entailles ou de défauts. Ceux-ci empêchent la formation d'une étincelle à l'extrémité de l'électrode. Remplacer l'électrode si cela est nécessaire.
3. L'extrémité de l'électrode doit être positionnée à 3 mm à support du veilleuse. Nettoyer l'électrode avec le tissu d'émeri ou de la laine d'acier. Consulter la figure 15.
4. S'assurer que la gaine isolante de l'électrode n'est pas fissurée et que la tige de l'électrode n'est pas mobile à l'intérieur de son enveloppe protectrice. Consulter la figure 14. Si tel est le cas, remplacer l'électrode.

FIG. 15



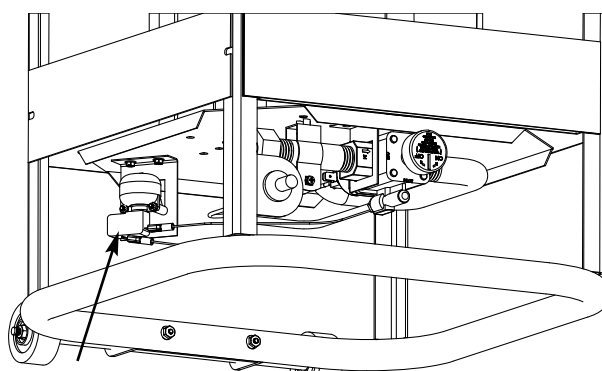
INTERRUPTEUR DE BASCULEMENT

Le contacteur est normalement fermé. Elle permet d'ouvrir le circuit de la commande de sécurité du distributeur et de mise à l'arrêt du brûleur éteint si le chauffage est basculer accidentellement, déplacé au cours de l'opération, ou sur une surface inclinée.

L'interrupteur à bascule doit être testé avant chaque utilisation.

- Placez le chauffage à fonctionnement normal
- Témoin du chauffage.
- Pointe le chauffage au moins 35 degrés. Le interrupteur doit s'ouvrir et fermer le brûleur éteint.
- Si le chauffage continue de brûler, le commutateur est défectueux et doit être remplacé.

FIG. 16



INTERRUPTEUR DE BASCULEMENT
(RETIRER LES VIS ET DÉBRANCHER LES FILS EN CAS DE REMPLACEMENT DU CONTACTEUR)

VÉRIFICATION DE LA PRESSION DE GAZ

- Cette vérification doit être effectuée une fois l'an avant le début de la saison froide, après chaque déplacement de l'appareil ainsi qu'après un entretien.

ATTENTION

- Ne pas démonter la valve de contrôle de la veilleuse.
- Ne remplacez aucune composante de la valve de contrôle de la veilleuse.
- La valve de contrôle de la veilleuse doit être entièrement remplacée advenant tout dommages.
- Ne pas tenir compte de cet avertissement risque fortement d'entraîner des blessures graves, la mort ainsi que d'importants dégâts matériels.

MATÉRIEL REQUIS

Quantité	Description
1	Trousse de manomètre à basse pression, numéro de pièce 00764

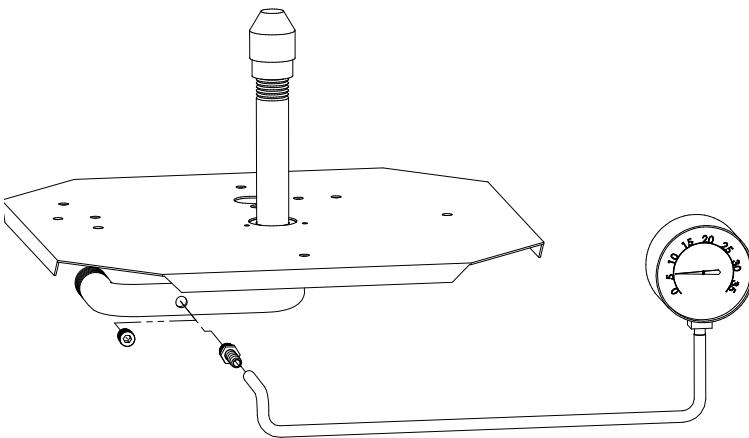
A. PRÉPARATION

1. Fermer la valve d'alimentation en combustible.
2. Permettre à l'appareil de brûler le gaz résiduel dans la ligne d'alimentation.
3. Laisser refroidir l'appareil de chauffage.

B. INSTALLATION DU MANOMÈTRE

1. À l'aide d'une clé Allen de 3/16 po, enlever le capuchon Allen situé sur le manifold de gaz, tel qu'illustré à la figure 17.

FIG. 17



2. Installer un coude de 1/8 po et un manomètre à cet endroit. Consulter la figure 17.
3. Ouvrir les valves d'alimentation en gaz vers l'appareil.

C. LECTURES DE PRESSION

1. Allumer l'appareil de chauffage. Mettre la valve de contrôle du débit de gaz sur sa position maximum. Lors du fonctionnement de l'appareil, le manomètre devrait mesurer une pression correspondant à la valeur indiquée sur la plaque signalétique ou dans la section portant sur les spécifications de ce manuel de l'utilisateur
2. Les lectures de pression coïncident-elles avec la fiche signalétique? Si oui, aucune autre vérification ou ajustements ne sont nécessaires. Veuillez vous rendre directement à la section D.
3. Si les lectures de pression ne correspondent pas aux spécifications de la fiche signalétique alors effectuer les vérifications suivantes :
 - Régulateur inapproprié pour cet appareil.
 - Le régulateur de l'appareil est défectueux ou imprécis (changer au besoin).
 - Obstruction dans la ligne d'alimentation en gaz.
 - Mauvaise dimension ou nombre insuffisant de réservoirs de gaz propane.

D. CONCLUSION

1. Lorsque les pressions requises ont été observées, fermer l'alimentation en gaz vers l'appareil.
2. Permettre à l'appareil de brûler le gaz résiduel dans la ligne d'alimentation.
3. Enlever le coude et le manomètre.
4. Installer le capuchon hexagonal sur la valve de contrôle, puis bien serrer celui-ci.
5. Vérifier qu'il n'y a aucune fuite de gaz.

Dépannage

<u>PROBLEMES</u>	<u>CAUSES</u>	<u>SOLUTIONS</u>
1. La veilleuse ne s'allume pas.	<ul style="list-style-type: none">* Le réservoir de propane est vide.* Les valves d'alimentation en gaz sont fermées.* La valve de contrôle du débit excédentaire du P.O.L. du régulateur est fermée* Le bouton de la valve de contrôle du gaz n'est pas pressé à fond.* L'orifice de la veilleuse est obstrué.* Obstruction dans la ligne d'alimentation de gaz* * Présence d'air dans la ligne d'alimentation en gaz.* La valve de contrôle du gaz est défectueuse.* Électrode ou allumeur piézo électrique défectueux.	<ul style="list-style-type: none">* Remplir le réservoir.* Ouvrir les valves d'alimentation en gaz.* Fermer la valve du réservoir de propane. Attendre 5 minutes, puis ouvrir lentement la valve du réservoir de propane.* Appuyer à fond sur le bouton.* Nettoyer ou remplacer l'orifice.* Débrancher la ligne d'alimentation en gaz de l'appareil de chauffage et débloquer à l'aide d'air comprimé, ou remplacer la ligne.* Appuyer à fond sur le bouton-poussoir de la valve de contrôle habituellement de 15 à 20 secondes suffisent) situé sur la valve de contrôle du gaz, pour purger l'air hors de la ligne. Généralement requis au moment de l'installation initiale.) REMARQUE : s'assurer que l'on appuie sur le bouton-poussoir de l'allumeur piézoélectrique pendant cette période pour éviter l'accumulation de gaz.* Remplacer la valve de contrôle du gaz.* Consulter la section de l'entretien de l'électrode du présent manuel pour les problèmes associés au système d'allumeur.
2. La veilleuse s'allume, mais s'éteint lorsque la pression sur le bouton-poussoir de contrôle de sécurité est relâchée.	<ul style="list-style-type: none">* Obstruction dans la ligne d'alimentation.* Temps insuffisant alloué pour réchauffer adéquatement le thermocouple.* Thermocouple desserré.* Thermocouple défectueux.* L'orifice est obstrué* Valve de contrôle du gaz défectueuse.* Pression de gaz insuffisante.* L'interrupteur de basculement est ouvert.	<ul style="list-style-type: none">* Se référer aux directives pour le même problème à l'item n° 1 ci-haut en gaz* Maintenir la pression sur le bouton-poussoir de contrôle pendant 30 secondes pour permettre un réchauffement approprié.* Serrer adéquatement le thermocouple au contrôle du gaz. S'assurer qu'il est bien inséré dans son support. Serrer d'abord à la main, puis serrer l'écrou de contact à l'aide d'une clé appropriée.* Remplacer le thermocouple.* Le nettoyer ou le remplacer.* Remplacer la valve de contrôle du gaz.* Régler les niveaux de pression selon les indications de la fiche signalétique.* S'assurer que l'appareil de chauffage est au niveau. S'il est au niveau, l'interrupteur de basculement est défectueux.
3. La veilleuse s'allume, mais le brûleur principal ne s'allume pas.	<ul style="list-style-type: none">* Si vous utilisez du gaz propane, le niveau du réservoir est bas ou le réservoir est vide.* La valve de contrôle du gaz n'est pas sur la position ON.* L'orifice du brûleur est obstrué.	<ul style="list-style-type: none">* Remplir le réservoir.* Mettre la valve de contrôle sur la position ON.* L'enlever et le nettoyer, ou le remplacer.
4. L'appareil ne semble pas émettre toute la chaleur désirée.	<ul style="list-style-type: none">* Les valves d'alimentation en gaz ne sont pas entièrement ouvertes.* L'orifice du brûleur est obstrué* La pression d'alimentation en gaz est faible.	<ul style="list-style-type: none">* Ouvrir complètement les valves d'alimentation en gaz.* Nettoyer l'orifice du brûleur ou le remplacer.* Consulter le fournisseur de gaz propane. La bouteille ou le réservoir doit être rempli ou remplacé. Le régulateur nécessite un ajustement. Vérifier que le régulateur et le gaz employés correspondent aux exigences de l'appareil.
5. La veilleuse reste allumée, mais le brûleur principal s'éteint.	<ul style="list-style-type: none">* Les dimensions du réservoir de gaz propane sont incorrectes.	<ul style="list-style-type: none">* Utiliser des bouteilles plus grosses.

Fonction des différentes composantes de l'appareil

BRÛLEUR

Composantes où a lieu la combustion du gaz alimentant l'appareil.

ORIFICE DU BRÛLEUR

Instrument de régulation en laiton qui alimente le brûleur en combustible à un débit spécifique et selon une pression appropriée.

ÉLECTRODE

Composante servant à enflammer les gaz grâce à l'étincelle qu'elle produit. Reçoit le voltage d'allumage approprié de l'allumeur Piezo.

LIGNE D'ALIMENTATION EN GAZ

Boyau flexible servant à acheminer le gaz de la source d'alimentation principale ou d'un réservoir jusqu'à l'appareil.

ALLUMEUR PIEZO

Composante générant le voltage requis à l'allumage lorsque le bouton de l'allumeur a été pressé. Ce voltage est dirigé vers l'électrode de manière à provoquer une étincelle.

BARILLET D'ORIFICES DE LA VEILLEUSE

Petit instrument de régulation utilisé pour la double fonction d'allumage du brûleur principal ainsi que du réchauffement du thermocouple. Fonctionne directement et simultanément avec le thermocouple.

RÉGULATEUR

La pièce maîtresse de tout système alimenté au gaz. Utilisé pour fournir une pression de gaz appropriée à l'appareil sous différentes conditions variantes à la source (réservoir).

VALVE DE CONTRÔLE

Valve de contrôle du gaz maintenue ouverte par alimentation électrique générée par le thermocouple de la veilleuse qui se ferme automatiquement pour couper le débit de gaz au brûleur principal lorsque la flamme de la veilleuse s'éteint ou devient trop faible pour allumer le brûleur principal.

THERMOCOUPLE

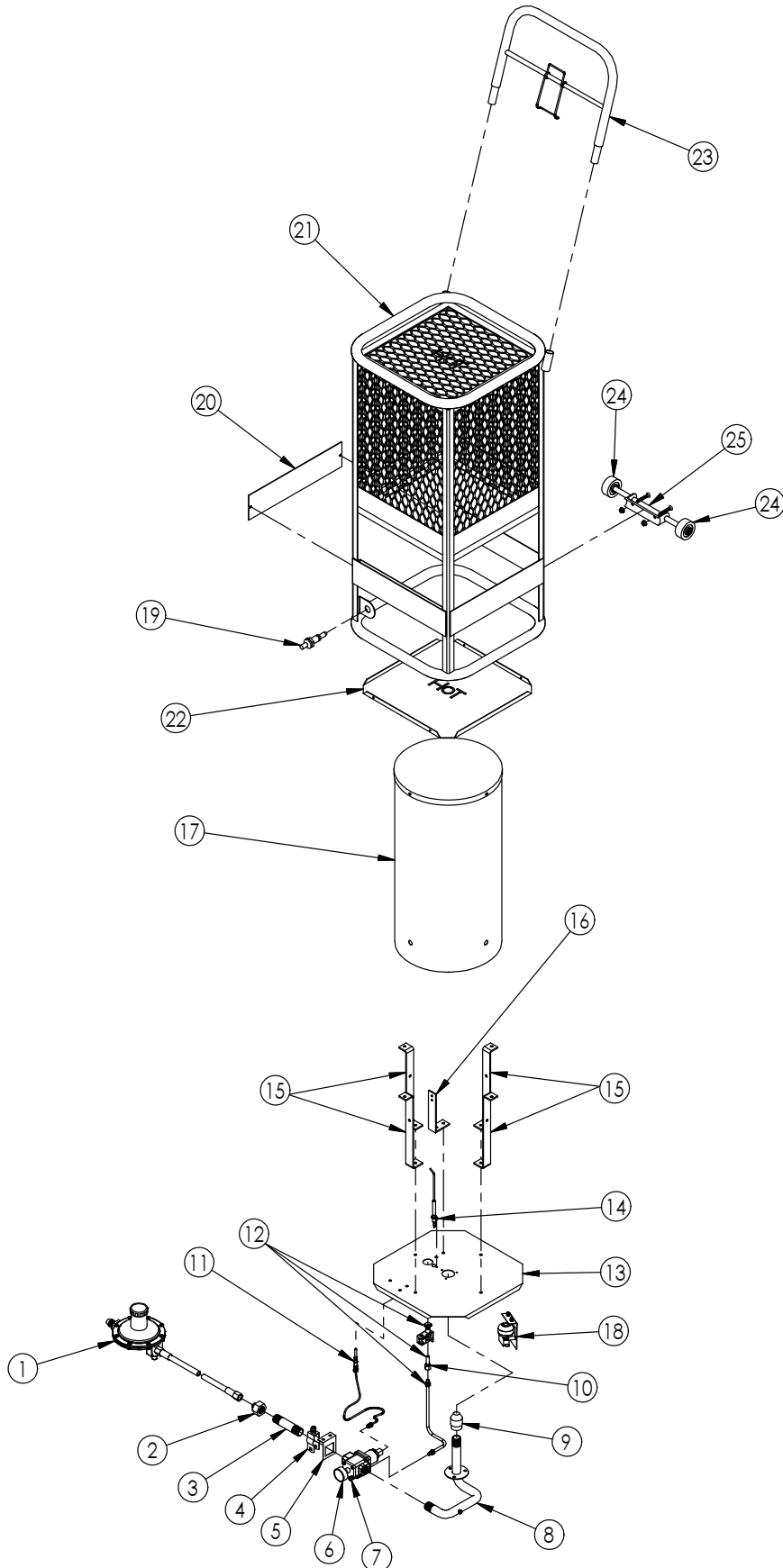
Un instrument thermoélectrique qui transforme directement la chaleur en électricité. Fonctionne en lien direct avec un électro-aimant situé dans la valve de contrôle du gaz permettant ainsi de maintenir le débit de gaz vers la veilleuse.

INTERRUPTEUR DE BASCULEMENT

Le contacteur est normalement fermé. Elle permet d'ouvrir le circuit de la commande de sécurité du distributeur et de mise à l'arrêt du brûleur éteint si le chauffage est basculer accidentellement, déplacé au cours de l'opération, ou sur une surface inclinée.

Identification des pièces composantes

Schéma des pièces composantes



Liste des pièces composantes

Item	Description	Numéro de la pièce
1	Régulateur avec raccord et Boyau, Propane	573271
	Régulateur, Gaz naturel (non illustré)	573272
2	Adaptateur	573323
3	Mamelon	573278
4	Bride de serrage	573279
5	Support	573321
6	Bouton, valve de contrôle du gaz	573265
7	Valve de contrôle de la veilleuse, avec bouton	573264
8	Manifold du brûleur	573280
9	Orifice du brûleur, Propane	573281
	Gaz naturel	573282
10	Orifice de la veilleuse, Propane	573266
	Gaz naturel	573269
11	Thermocouple	573267
12	Assemblage de la veilleuse, Propane	573268
	Gaz naturel	573322
13	Plaque de fixation	573301
14	Electrode	573273
15	Pied de soutien du brûleur	573302
16	Pied de soutien de la veilleuse	573304
17	Émetteur	573303
18	Interrupteur de basculement	573297
19	Allumeur piézoélectrique	573274
20	Écran latéral amovible	573300
21	Châssis, Propane	573298
	Gaz naturel	573299
22	Plaque supérieure	573296
23	Poignée	573277
24	Roulette	573276
25	Assemblage d'essieu avec roulettes	573275

Garantie

Équipement

L.B. White garantit que les composantes de ses appareils de chauffage sont exempts de tout défauts liés à la fabrication ou à la main d'œuvre lorsqu'installés, utilisés et entretenus selon les directives d'installation et d'entretien, ainsi que des consignes de sécurité émises et des étiquettes et fiches fournies avec chaque appareil. Si, **dans un délais de 24 mois de la date d'acquisition de l'appareil**, une composante venait à faire défaut, L.B. White Co. Inc. s'engage à sa prérogative, à réparer ou à remplacer la pièce défectueuse ou l'appareil de chauffage avec une composante neuve ou un nouvel appareil, F.O.B. Onalaska, Wisconsin, É-U.

L'enregistrement de votre produit en ligne avec L.B. White qualifiera automatiquement une unité et ses composants afin qu'ils soient pris en compte au titre de la garantie. Si un produit n'a pas été enregistré chez L.B. White, une copie du contrat de vente sera requise afin qu'un produit soit admissible. Si aucune des conditions n'est satisfaite, la période de garantie est de 24 mois à partir de la date d'expédition par L.B. White.

Pièces

La société L.B.White Co. Inc. garantie que les pièces de remplacement vendues par la compagnie et utilisés dans l'appareil de chauffage de L.B. White approprié, sont exemptes de tout défauts liés à la fabrication ou à la main d'œuvre **pour une période de douze (24 mois), calculée à partir de l'achat de la pièce par l'utilisateur final**. La garantie s'applique automatiquement si une pièce s'avérait défectueuse à l'intérieur d'une période de 24 mois débutant à la date-code inscrite sur ladite pièce. Si la défectuosité survient plus de 24 mois après la date-code mais néanmoins à l'intérieur d'une période de 24 mois suivant l'achat de la pièce par l'utilisateur final, une copie de la facture sera exigée pour établir l'application ou non de la garantie.

La garantie énoncé ci-haut est la seule garantie offerte par L.B.White et ainsi, toute autre garantie directe ou tacite, commercialité ou utilisation pour une utilité particulière sont implicitement couvertes par la présente. Dans l'éventualité d'une garantie tacite, en vigueur par force de loi, non décrite par la présente, celle-ci sera limitée dans son application à la durée énoncée ci-haut en des

conditions similaires. Les recours énoncés ci-haut sont les seuls recours applicables en cas de réclamation. L.B. White ne peut être tenu responsable pour tout dommage accessoire ou indirect reliés directement ou non à la vente, la manutention ou l'utilisation de l'appareil de chauffage. En tout temps, la responsabilité de L.B.White vis à vis de ses appareils de chauffage, incluant des réclamations découlant d'une négligence, ou d'une stricte responsabilité, ne sera limité qu'au coût d'achat de l'appareil.

Certains états ne permettent pas de fixer une date de péremption pour une garantie tacite, d'où la possibilité que cette dérogation puisse possiblement s'appliquer à l'endroit où vous vivez. Certains états ne permettent pas de définir une limite quant aux dommages accessoires ou indirects d'où la possibilité que cette dérogation puisse possiblement s'appliquer à l'endroit où vous vivez. Cette garantie vous procure certains droits en plus des lois en vigueur dans l'état ou la province où vous demeurez.

Pour enregistrer votre produit et assurer la pleine garantie, veuillez vous rendre sur <http://www.lbwhite.com/product-registration>. Veuillez avoir les numéros de série et les modèles à portée de main pour les produits que vous enregistrez.

Pièces de remplacement et service

Contactez votre détaillant autorisé L.B.White pour tout appel de service ou pour commander des pièces de remplacement. Vous pouvez communiquer avec L.B. White Co. Inc. au 1-800-345-7200. Assurez-vous d'avoir en main au moment de l'appel, le numéro de modèle et de configuration de votre appareil.