

---

# GREENWORKS

## COMMERCIAL

82V Cordless String Trimmer

GT 161  
(2106602)



Owner's Manual

**TOLL-FREE HELPLINE: 1-855-470-4267**  
[www.greenworkstools.com/82v-Commercial/](http://www.greenworkstools.com/82v-Commercial/)

---

 Read all safety rules and instructions carefully before operating this tool.

# CONTENTS

---

Contents ..... 2  
Product Specifications ..... 2  
Important Safety Instructions..... 3  
Symbols..... 5  
Know Your String Trimmer ..... 7  
Assembly ..... 8  
Operation..... 13  
Maintenance..... 22  
Environmentally Safe Battery Disposal ..... 23  
Troubleshooting..... 24  
Warranty..... 26  
Exploded View and Part List ..... 28

# PRODUCT SPECIFICATIONS

---

## 82V LITHIUM-ION STRING TRIMMER

Type ..... Cordless, battery powered  
Motor ..... 82V Brushless  
String Cutting Width ..... 16" (406 mm)  
Speed ..... 4500-5500-6000-6500 RPM±10%  
Line Diameter ..... Nylon / 0.08" (2 mm)  
Feed Type ..... Bump Feed  
Battery Run Time ..... Up to 35 minutes  
Battery Charge Time ..... 30 minutes  
Weight (without battery) ..... 10.8 lbs (4.9 kg)



# IMPORTANT SAFETY INSTRUCTIONS

---

## **WARNING**

**Read and understand all instructions before using this product.** Failure to follow all instructions listed below may result in electric shock, fire, and/or serious personal injury.

---

- Use only identical manufacturer's replacement parts and accessories. Use of any other parts may create a hazard or cause product damage.
- Always wear safety glasses with side shields marked to comply with ANSI Z87.1. Everyday glasses have only impact resistant lenses. They are NOT safety glasses. Following this rule will reduce the risk of eye injury. Use face mask if operating in dusty work spaces.
- Avoid Dangerous Environment — Don't expose power tools to damp or wet conditions. Water entering a power tool will increase the risk of electric shock.
- Don't use in rain.
- Keep all bystanders, children, and pets at least 50 ft. away.
- Do not use the power tools for any job except that for which it is intended.
- Avoid Unintentional Starting – Do not carry string trimmer with fingers on the switch. Be sure the battery is removed while transporting.
- Do not operate the equipment while barefoot or when wearing sandals or similar lightweight footwear. Wear protective footwear that will protect your feet and improve your footing on slippery surfaces.
- Don't overreach - Keep proper footing and balance at all times.
- Stay alert - Watch what you are doing. Use common sense. Do not operate this unit when you are tired, ill or under the influence of alcohol, drugs or medication.
- Always store idle power tools indoors - When not in use, power tools should be stored indoors in a dry place, out of reach of children.
- Power tool maintenance – Replace string head if cracked, chipped, or damaged in any way. Be sure the string head is properly installed and securely fastened. Keep cutting edge sharp and clean for best performance and to reduce the risk of injury. Follow instructions for lubricating and changing accessories. Inspect appliance cord periodically, and if damaged, have it repaired by an authorized service facility. Inspect extension cords periodically and replace if damaged. Keep handles dry, clean, and free from oil and grease. Failure to do so can cause serious injury.
- Check Damaged Parts – Before further use of the appliance, a guard or other part that is damaged should be carefully checked to determine that it will operate properly and perform its intended function. Check for alignment of moving parts, binding of moving parts, breakage of parts, damaged mountings, and any other condition that may affect its operation. A guard or other part that is damaged should be properly repaired or replaced by an authorized service center unless indicated elsewhere in this manual.
- Do not charge or operate cordless tools in damp or wet locations or in the rain. Following this rule will reduce the risk of electric shock.
- Remove or disconnect battery before servicing, cleaning or removing material from the gardening appliance.

# IMPORTANT SAFETY INSTRUCTIONS

---

- Do not dispose of the batteries in a fire. The cells may explode. Check with local codes for possible special disposal instructions.
- Do not open or mutilate the batteries. Released electrolyte is corrosive and may cause damage to the eyes or skin. It may be toxic if swallowed.
- Exercise care in handling batteries in order not to short the battery with conducting materials such as rings, bracelets, and keys. The battery or conductor may overheat and cause burns.
- Dress Properly – Do not wear loose clothing or jewelry. They can be caught in moving parts. Use of rubber gloves and substantial footwear is recommended when working outdoors. Wear protective hair covering to contain long hair.
- Do not add unnecessary force to your power tool – It will do the job better and with less likelihood of a risk of injury at the rate for which it was designed.
- Recharge only with the charger specified by the manufacturer. A charger that is suitable for one type of battery pack may create a risk of fire when used with another battery pack.
- For use only with (GL 200, GL 250, GL 300, GL 400, GL 500, GL 900) battery. For use only with GC 400 charger.
- When battery pack is not in use, keep it away from other metal objects, like paper clips, coins, keys, nails, screws or other small metal objects, that can make a connection from one terminal to another. Shorting the battery terminals together may cause a fire.
- Under abusive conditions, liquid may be ejected from the battery; avoid contact. If contact accidentally occurs, flush with water. If liquid contacts eyes, additionally seek medical help. Liquid ejected from the battery may cause irritation or burns.
- Do not use a battery pack or appliance that is damaged or modified. Damaged or modified batteries may exhibit unpredictable behavior resulting in fire, explosion or risk of injury.
- Do not expose a battery pack or power tools to fire or excessive temperature. Exposure to fire or temperature above 265°F (130°C) may cause explosion.

---

## **⚠ W A R N I N G (PROPOSITION 65)**

Some dust created by power sanding, sawing, grinding, drilling, and other construction activities contains chemicals known to cause cancer, birth defects or other reproductive harm. Some examples of these chemicals are:

- Lead from lead-based paints
- Crystalline silica from bricks and cement and other masonry products, and
- Arsenic and chromium from chemically treated lumber.

Your risk of exposure to these chemicals varies depending on how often you do this type of work. To reduce your exposure to these chemicals, work in a well-ventilated area, and work with approved safety equipment, such as dust masks that are specially designed to filter out microscopic particles.








---

**SAVE THESE INSTRUCTIONS**

# SYMBOLS

---




Some of the following symbols may be used on this product. Please study them and learn their meaning. Proper interpretation of these symbols will allow you to operate the product better and safer.

SYMBOL	NAME	DESIGNATION/EXPLANATION
V	Volts	Voltage
A	Amperes	Current
Hz	Hertz	Frequency (cycles per second)
W	Watts	Power
min	Minutes	Time
~	Alternating Current	Type of current
/min	Per Minute	Revolutions, strokes, surface speed, orbits etc., per minute.
≡	Direct Current	Type or a characteristic of current
	No Blade	Do not install or use any type of blade on a product or displaying this symbol.
	Wet Conditions Alert	Do not expose to rain or use in damp locations.
	Read The Operator's Manual	To reduce the risk of injury user must read and understand operator's manual before using this product.
	Eye Protection	Always wear eye protection with side shields marked to comply with ANSI Z87.1 when operating this equipment.
	Safety Alert	Precautions that involve your safety.
	Ricochet	Thrown objects can ricochet and result in personal injury or property damage.
	Keep Bystanders Away	Keep all bystanders at least 50 ft. away.

# SYMBOLS

---

The following signal words and meanings are intended to explain the levels of risk associated with this product.

SYMBOL	SIGNAL	MEANING
	<b>DANGER</b>	Indicates an imminently hazardous situation, which, if not avoided, will result in death or serious injury.
	<b>WARNING</b>	Indicates a potentially hazardous situation, which, if not avoided, could result in death or serious injury.
	<b>CAUTION</b>	Indicates a potentially hazardous situation, which, if not avoided, may result in minor or moderate injury.
	<b>CAUTION</b>	(Without Safety Alert Symbol) Indicates a situation that may result in property damage.

## SERVICE

Service requires extreme care and knowledge and should be performed only by a qualified service technician. For service we suggest you return the product to your nearest **AUTHORIZED SERVICE CENTER** for repair. Use only identical manufacturer's replacement parts and accessories.

---

## **WARNING**

To avoid serious personal injury, do not attempt to use this product until you have read this Owner's Manual thoroughly and understand it completely. If you do not understand the warnings and instructions in this Owner's Manual, do not use this product. Call the Toll-free Helpline (1-855-470-4267) for assistance. The operation of any power tool can result in foreign objects being thrown into your eyes, which can result in severe damage to your eyes. Before operating a power tool, always wear safety goggles, safety glasses with side shields, or a full face shield when needed. We recommend a Wide Vision Safety Mask for use over eyeglasses or standard safety glasses with side shields. Always use eye protection that is marked to comply with ANSI Z87.1.

---

---

## **WARNING**



The operation of any power tool can result in foreign objects being thrown into your eyes, which can result in severe eye damage. Before beginning power tool operation, always wear safety goggles or safety glasses with side shields or a full face shield. We recommend Wide Vision Safety Mask for use over eyeglasses or standard safety glasses with side shields. Always use eye protection which is marked to comply with ANSI Z87.1.

---

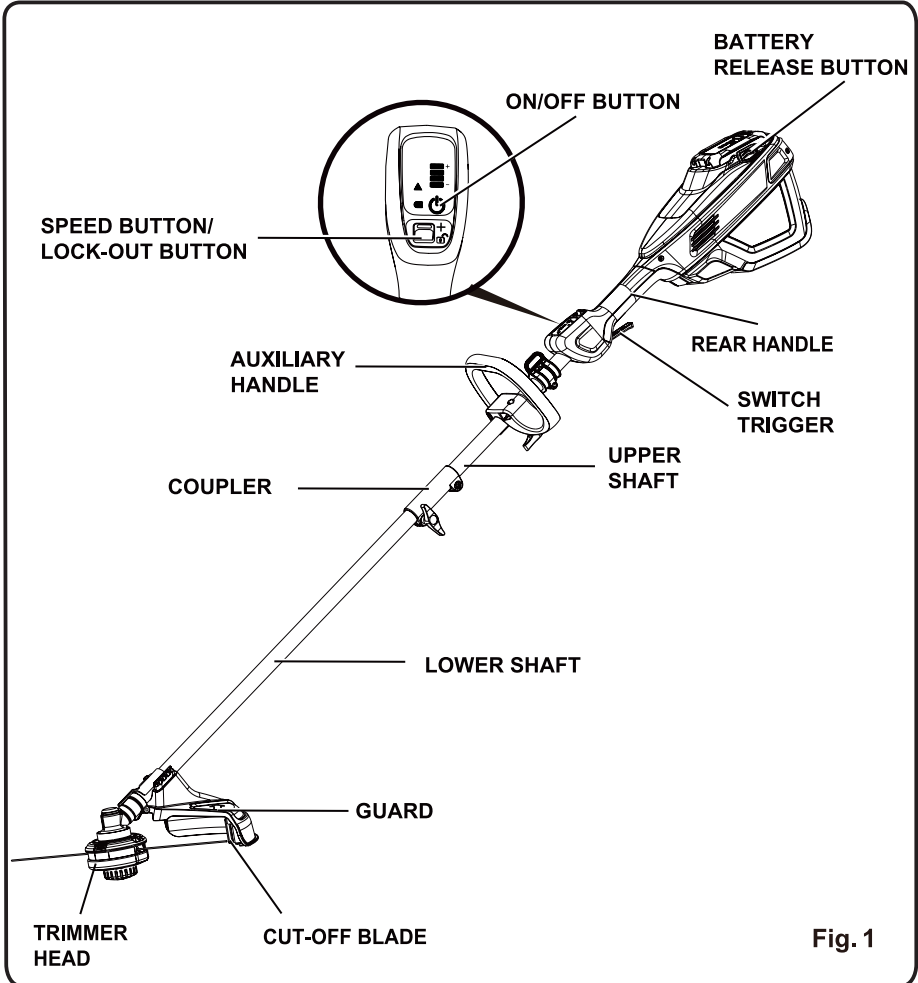
**SAVE THESE INSTRUCTIONS**

---

# KNOW YOUR STRING TRIMMER

## KNOW YOUR STRING TRIMMER (See Figure 1.)

The safe use of this product requires an understanding of the information on the product and in this operator's manual as well as a knowledge of the project you are attempting. Before use of this product, familiarize yourself with all operating features and safety rules.



# ASSEMBLY

---

## UNPACKING

This product requires assembly.

- Carefully remove the product and any accessories from the box. Make sure that all items listed in the packing list are included.
- Inspect the tool carefully to make sure no breakage or damage occurred during shipping.
- Do not discard the packing material until you have carefully inspected and satisfactorily operated the tool.
- If any parts are damaged or missing, please call 1-855-470-4267.

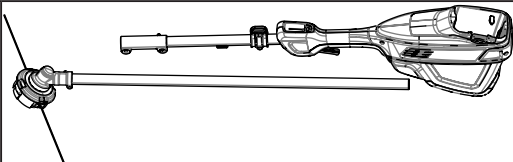
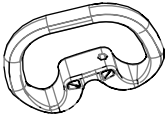
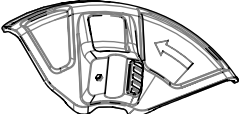

---

## **⚠** WARNING

Do not use this product if any parts on the packing list are already assembled to your product when you unpack it. Parts on this list are not assembled to the product by the manufacturer and require customer installation. Use of a product that may have been improperly assembled could result in serious personal injury.

---

## PACKING LIST

Part Name	Figure	Qty
String trimmer	 A line drawing of a string trimmer. It features a long shaft with a cutting head at the end. A separate line is shown being inserted into the cutting head. The motor housing is at the top right.	1
Auxiliary handle	 A line drawing of a curved, ergonomic auxiliary handle with a central mounting point.	1
Guard	 A line drawing of a protective guard. It has a curved shape with a central opening and a small rectangular detail. An arrow points to the right side of the guard.	1
Operator's manual	 A line drawing of an open operator's manual. The left page has the word 'WARNING' and the right page has the word 'SAFETY'.	1



# ASSEMBLY

---

## **⚠ WARNING**

If any parts are damaged or missing, do not operate this product until the parts are replaced. Use of this product with damaged or missing parts could result in serious personal injury.

---

## **⚠ WARNING**

Do not attempt to modify this product or create accessories not recommended for use with this string trimmer. Any such alteration or modification is misuse and could result in a hazardous condition leading to possible serious personal injury.

---

## **⚠ WARNING**

Do not connect to power supply until assembly is complete. Failure to comply could result in accidental starting and possible serious personal injury.

---

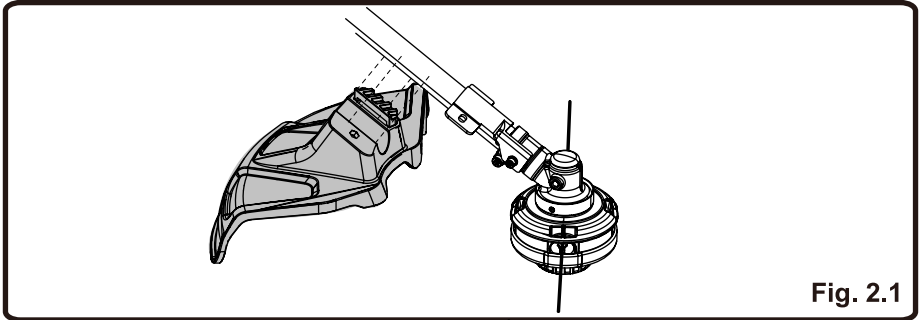
# ASSEMBLY

---

## ATTACHING THE GUARD (See Figure 2.)

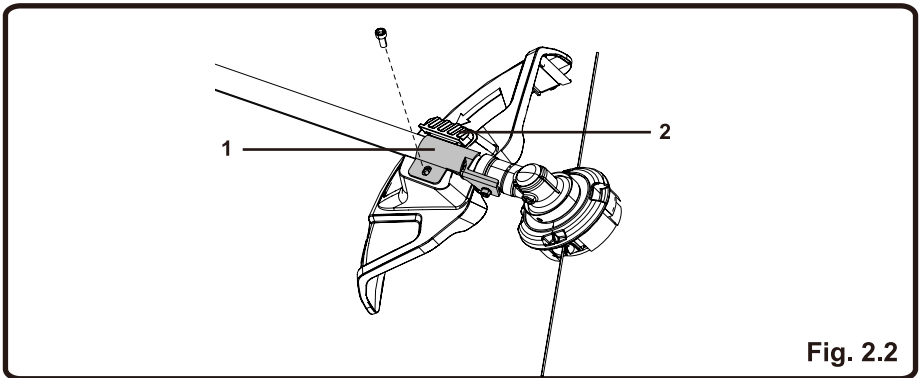
*NOTE: Install the guard before the attachment is connected to the lower shaft.*

1. Invert the string trimmer to access the trimmer head.
2. Put the lower shaft into the groove of the guard.



**Fig. 2.1**

3. Insert the bracket (1) into the slot (2).
4. Align the screw holes on the bracket with the screw holes on the guard.
5. Install and tighten the screws.



**Fig. 2.2**

# ASSEMBLY

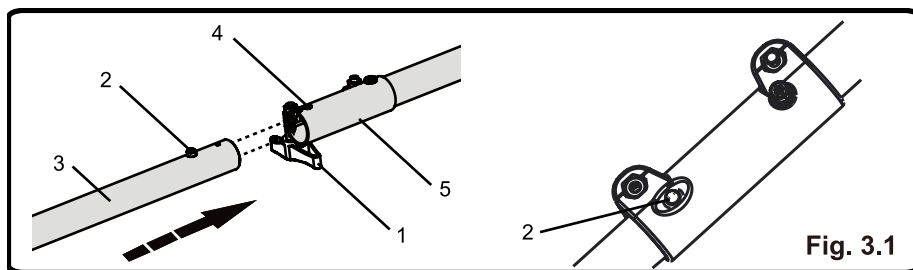
## INSTALLING THE UPPER SHAFT TO THE LOWER SHAFT (See Figure 3.)

### **⚠ WARNING**

Never install, remove, or adjust any attachment while string trimmer is running. Failure to stop the motor can cause serious personal injury.

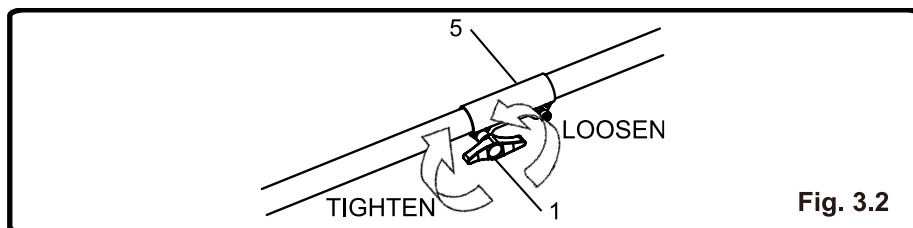
The attachment connects to the power head by means of a coupler device.

1. Set the unit on a flat, level surface.
2. Loosen the knob (1) on the coupler (5).
3. Push in the release button (2) located on the lower shaft (3). Align the release button with the positioning hole (4) and slide the two shafts together. Rotate the lower shaft until the button locks into the positioning hole.



*NOTE: If the button does not release completely in the positioning hole, the shafts are not locked into place. Slightly rotate from side to side until the button is locked into place.*

4. Tighten the knob securely.



# ASSEMBLY

---

## ATTACHING THE AUXILIARY HANDLE (See Figure 4.)

1. Press the auxiliary handle onto the upper shaft so that the handle is angled toward the rear handle that allows for comfortable operation.
2. Attach the auxiliary handle and lower clamp (1) on the shaft.

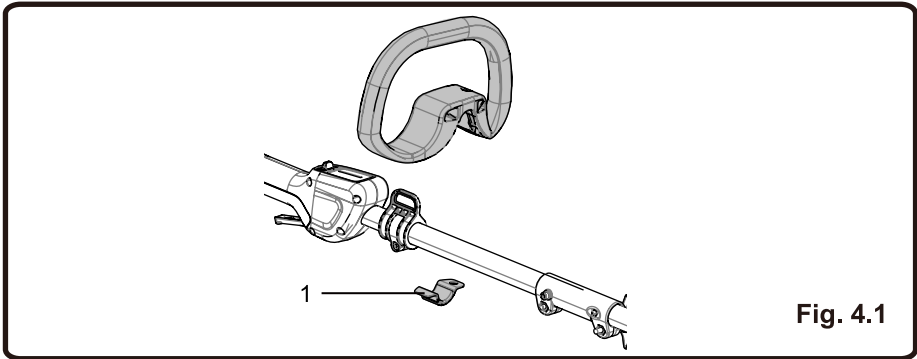


Fig. 4.1

3. Adjust handle up or down, if necessary, to desired operating position.

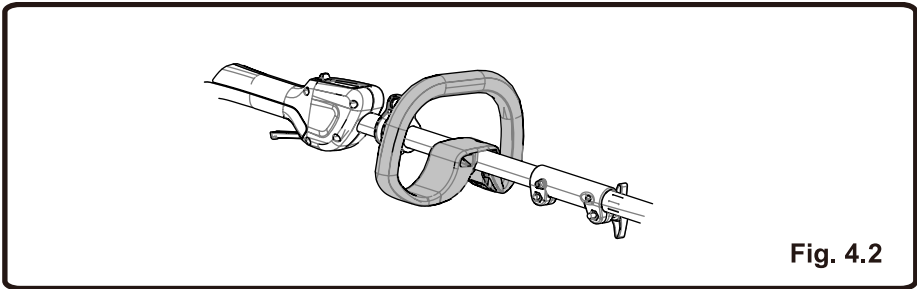


Fig. 4.2

4. Insert the handle knob (2) through the auxiliary handle. Tighten until there is no movement in the handle.

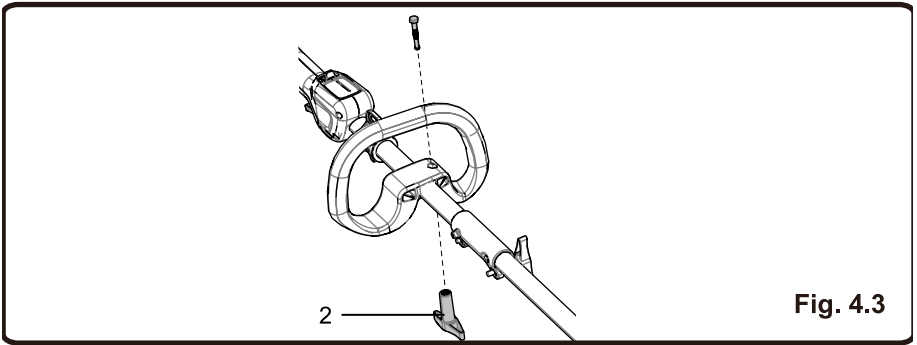


Fig. 4.3

# OPERATION

---

## **⚠ WARNING**

Read and understand entire Operator's Manual for each optional attachment used on this power head and follow all warnings and instructions. Failure to follow all instructions may result in electric shock, fire and/or serious personal injury.

---

## **⚠ WARNING**

Do not allow familiarity with this product to make you careless. Remember that a careless fraction of a second is sufficient to inflict serious injury.

---

## **⚠ WARNING**

Do not use any attachments or accessories not recommended by the manufacturer of this product. The use of attachments or accessories not recommended can result in serious personal injury.

---

## **⚠ WARNING**

This string trimmer is not meant to be used with brush cutter attachments. Use of a brush cutter attachment could cause serious personal injuries or property damage.

---

# OPERATION

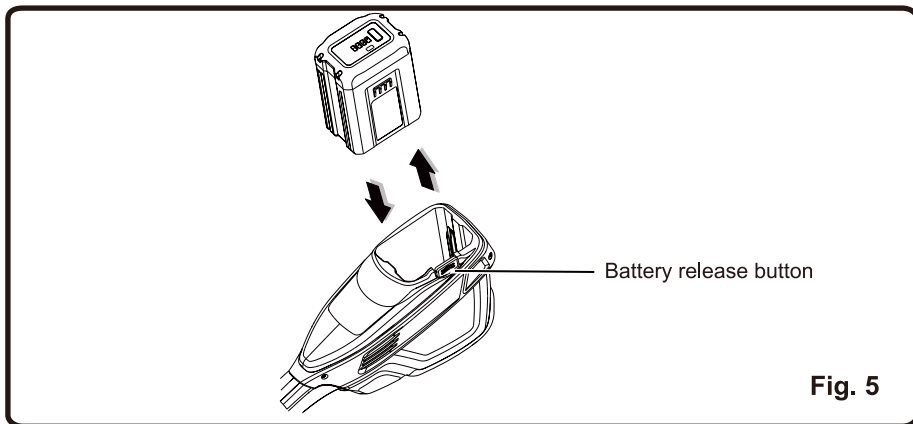
---

## INSTALLING THE BATTERY PACK (See Figure 5.)

- Insert battery pack into tool until an audible click is heard.

## REMOVING THE BATTERY PACK (See Figure 5.)

- Push and hold the battery release button on the side of the rear housing.
- Take out the battery pack and release the button.



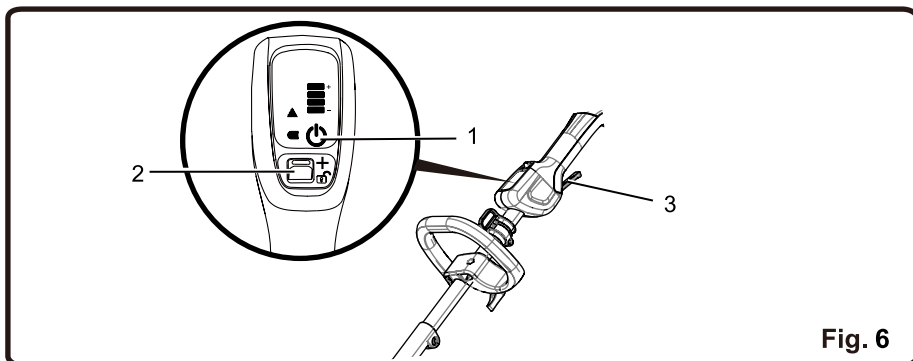
## STARTING AND STOPPING THE TRIMMER (See Figure 6.)

To start:

- Press the on/off power button (1).
- Pull the safety lock button (2) back and meanwhile squeeze the switch trigger (3) to start.
- Push the speed button forward to adjust speed depending upon grass condition.

To stop:

- Release the trigger to stop the trimmer.
- Press the power button to turn the unit off.



# OPERATION

---

## OPERATING THE TRIMMER (See *Figure 7*)

---

### **! WARNING**

Always hold the string trimmer away from the body keeping clearance between your body and the string trimmer. Any contact with the string trimmer cutting head while operating can result in serious personal injury.

---

#### **Follow these tips when using the string trimmer:**

- Hold the trimmer with your right hand on the rear handle and your left hand on the auxiliary handle.
- Keep a firm grip with both hands while in operation.
- Trimmer should be held at a comfortable position with the rear handle about hip height.
- Cut tall grass from the top down. This will prevent grass from wrapping around the shaft housing and string head which may cause damage from overheating.

#### **If grass becomes wrapped around the string head:**

- Remove the battery pack.
- Remove the grass.



**Fig. 7**

# OPERATION

---

## **⚠ WARNING**

Any contact with the attachment cutting head can result in burns and/or other serious personal injury.

---

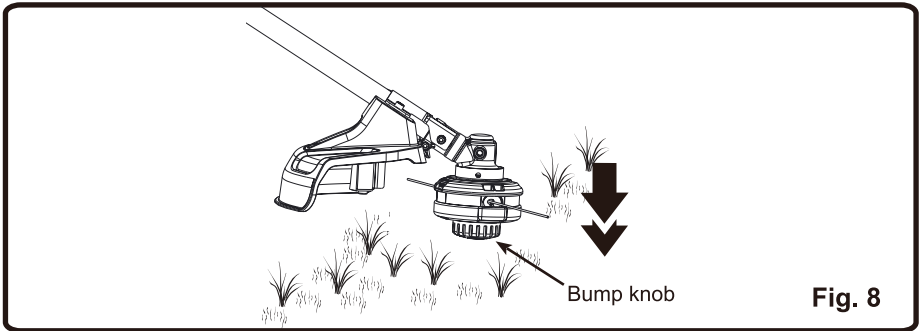
## **⚠ WARNING**

Read the safety information for safe operation when using a blade attachment and refer to the safety rules and instructions in your attachment manual. Never use a brush cutter attachment with this electric power head. Improper operation of a blade or any attachment could result in serious injury.

---

### **ADVANCING LINE** (See *Figure 8*.)

While the string trimmer is operating, the cutting line gets worn down and becomes shorter. This trimmer is equipped with bump feed line advancement, which advances additional line once the head is bumped on the ground while rotating. The cutting blade will cut the line to keep an accurate cutting swath.





# OPERATION

## REPLACING STRING HEAD (See Figure 9.)

The string head should be replaced whenever damage is visible or if the wear indicators on the face are worn smooth. If replacing line only refer to **Replacing the Line** later in this manual.

1. Stop the unit and remove the battery pack.
2. Insert the gear head locking tool or screwdriver (1) through the slot (2) . Turn the trimmer head and push the tool (1) until the tool engages the inner ring-nut hole (3), blocking rotation.

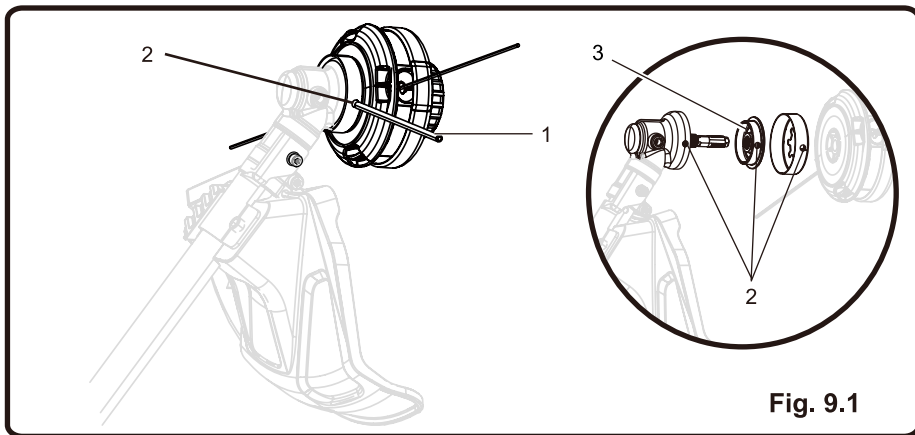


Fig. 9.1

3. Rotate the string head (4) clockwise until it can be removed from the gear shaft (5).

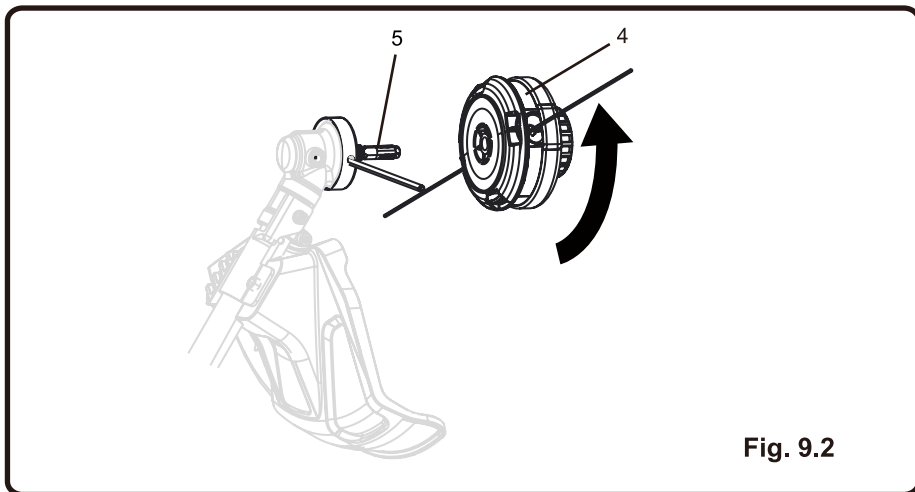


Fig. 9.2

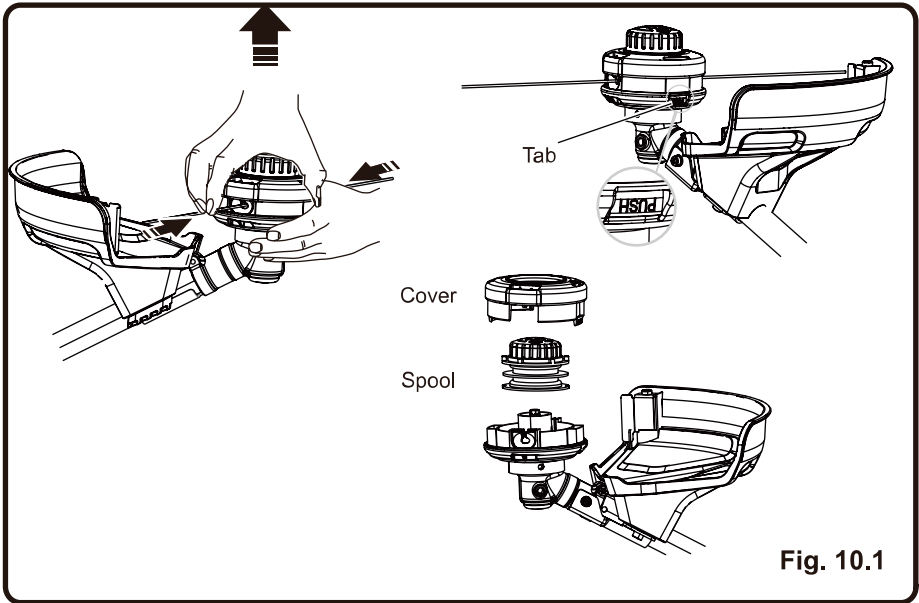
4. Install the new string head and rotate counterclockwise to secure.

# OPERATION

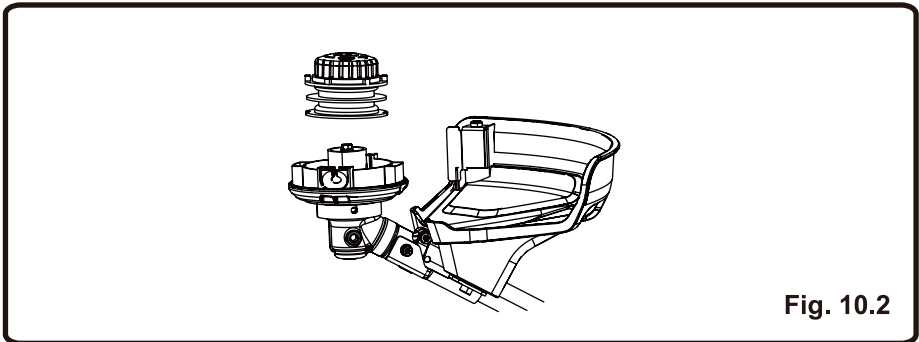
## SPOOL REPLACEMENT (See Figure 10.)

If replacing line only, refer to **Line Replacement** later in this manual.

1. Press the tabs simultaneously on the side of the trimmer head and remove cover and spool.

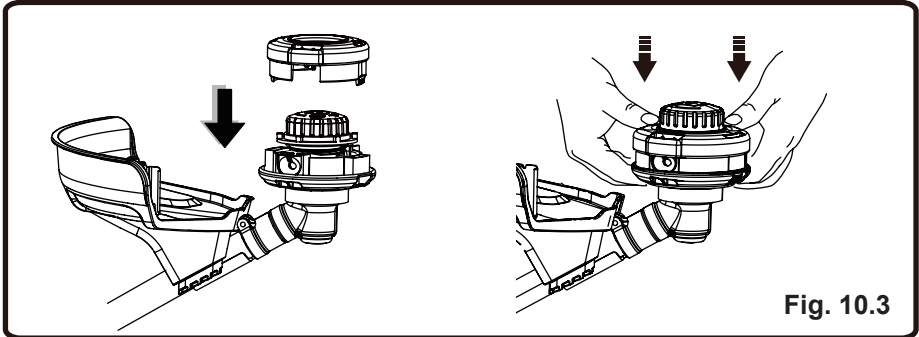


2. Remove any remaining line.
3. Clean dirt and debris from all parts.
4. Place the spool in the spool housing as shown below.



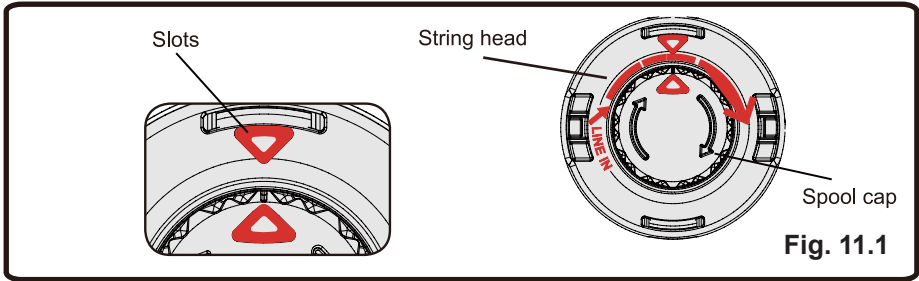
# OPERATION

5. Reinstall the cover onto the trimmer head. Push until cover snaps into place.

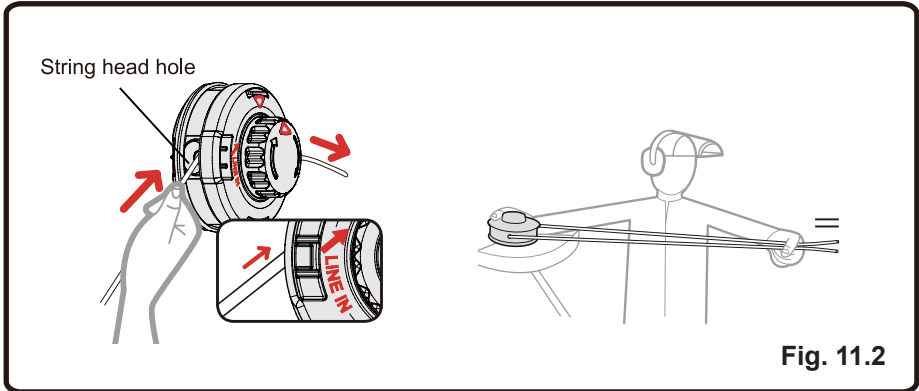


## LINE REPLACEMENT (See Figure 11.)

1. Line up the slots on the spool cap with the slots on the string head.



2. Insert line through the string head hole. Push line until it exits the opposite string head hole.



# OPERATION

- 3. Pull the line through until there is an equal amount of line on each side.

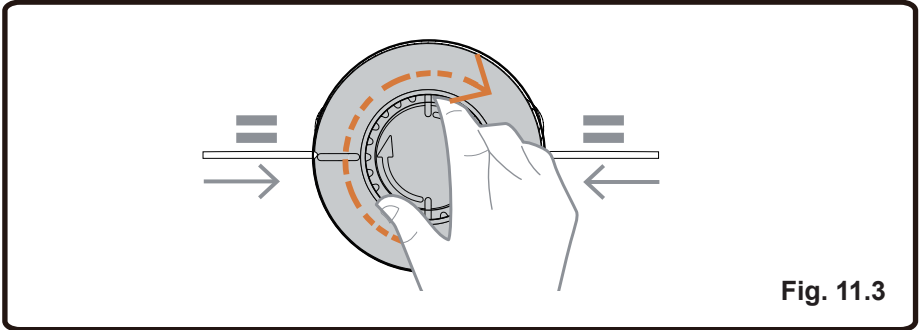


Fig. 11.3

- 4. Turn the spool cap clock-wise to begin winding the string into the string head. Leave approximately 5 inches of string protruding out of each side of the head.

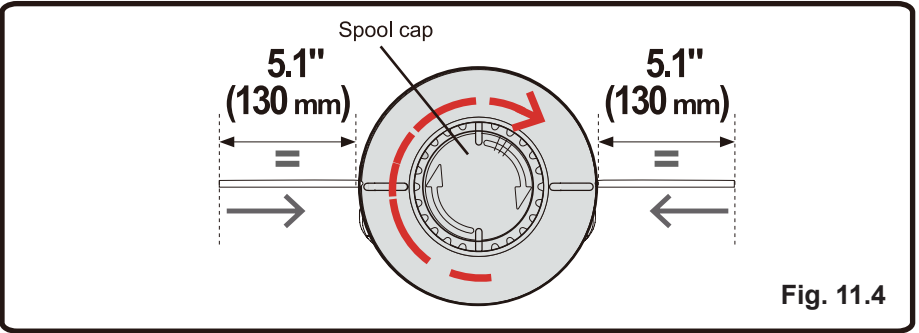


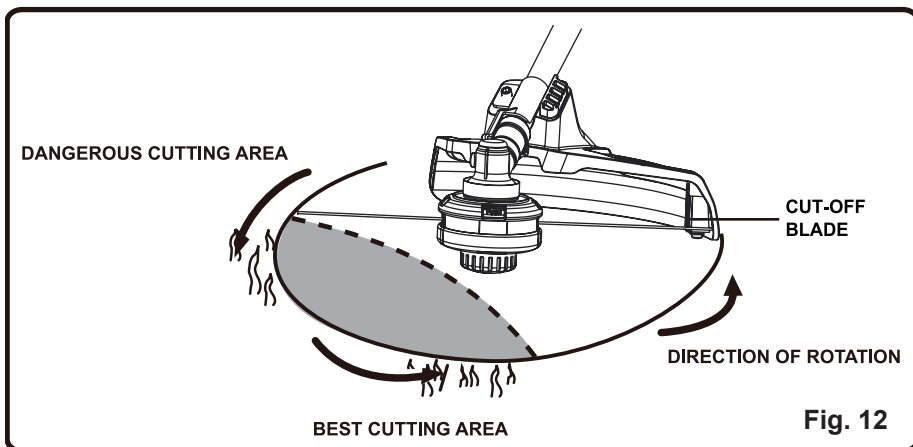
Fig. 11.4

# OPERATION

---

## **CUTTING TIPS** (See *Figure 12*.)

- Keep the trimmer tilted toward the area being cut; this is the best cutting area.
- The trimmer cuts when passing the unit from right to left. This will avoid throwing debris at the operator. Avoid cutting in the dangerous area shown in figure 12.
- Use the tip of string to do the cutting; do not force string head into uncut grass.
- Wire and picket fences cause extra string wear and breakage. Stone and brick walls, curbs, and wood may wear string rapidly.
- Avoid trees and shrubs. Tree bark, wood moldings, siding, and fence posts can easily be damaged by the string.



## **LINE CUT-OFF BLADE** (See *Figure 12*.)

This trimmer is equipped with a line cut-off blade on the guard. The line cut off blade continuously trims the line to ensure a consistent and efficient cut diameter. Advance line whenever you hear the engine running faster than normal, or when trimming efficiency diminishes. This will maintain best performance and keep line long enough to advance properly.

# MAINTENANCE

---

## GENERAL MAINTENANCE

Avoid using solvents when cleaning plastic parts. Most plastics are susceptible to damage from various types of commercial solvents and may be damaged by their use. Use clean cloths to remove dirt, dust, lubricant, grease, etc.

Always store the machine clean and in a dry enclosure with the battery charged.

Maintenance task	Each time the machine is used	Every two hours	Each week	After use	Every year or when required
Visual check of the tool's safety systems (distancing device, carrying eye, safety casing)	X			X	
Check the trigger safety system functions	X				
Check the sharpness of blades and sharpen if necessary	X	X			X
Visual check of the tool (no cracks or deformation)	X	X			X
Visual check of the tool at the shaft attachment (no deformations or wear)	X	X			X
Check the battery level	X				
Inspection of the tool by an approved Greenworks dealer					X

# ENVIRONMENTALLY SAFE BATTERY DISPOSAL

---



---

## **⚠ WARNING**

All toxic materials must be disposed of in a specified manner to prevent contamination of the environment. Before disposing of damaged or worn out Lithium-Ion battery packs, contact your local waste disposal agency, or the local Environmental Protection Agency for information and specific instructions. Take the batteries to a local recycling and/or disposal centre, certified for lithium-ion disposal.

---

---

## **⚠ WARNING**

If the battery pack cracks or breaks, with or without leaks, do not recharge it and do not use. Dispose of it and replace with a new battery pack. **DO NOT ATTEMPT TO REPAIR IT!** To avoid injury and risk of fire, explosion, or electric shock, and to avoid damage to the environment:

- Cover the battery's terminals with heavy-duty adhesive tape.
  - DO NOT attempt to remove or destroy any of the battery pack components.
  - DO NOT attempt to open the battery pack.
  - If a leak develops, the released electrolytes are corrosive and toxic. DO NOT get the solution in the eyes or on skin, and do not swallow it.
  - DO NOT place these batteries in your regular household trash.
  - DO NOT incinerate.
  - DO NOT place them where they will become part of any waste landfill or municipal solid waste stream.
  - Take them to a certified recycling or disposal centre.
-

# TROUBLESHOOTING

Problem	Cause	Solution
String trimmer fails to start when trigger lock button is depressed.	1. The battery pack is not attached to the trimmer.	1. Attach the battery pack to the trimmer.
	2. No electrical contact between the trimmer and battery.	2. Remove battery check contact and reinstall the battery pack.
	3. The battery pack is depleted.	3. Charge the battery pack.
	4. The safety lock button and trigger are not depressed simultaneously.	4. Pull the safety lock button back and meanwhile squeeze the switch trigger to start.
	5. Did not press the power button, press the trigger directly.	5. Start the power button, the power indicator will trigger later.
String trimmer stops while cutting.	1. The guard is not mounted on the trimmer, resulting in an overly long cutting and motor overload.	1. Remove the battery pack and mount the guard on the trimmer.
	2. Heavy cutting line is used.	2. Use only with nylon cutting line 0.08" diameter or less.
	3. The motor shaft or trimmer head is bound with grass.	3. Stop the trimmer, remove the battery, and remove the grass from the motor shaft and trimmer head.
	4. The motor is overloaded.	4. Remove the trimmer head from the grass. the motor will recover to work as soon as the load is removed. when cutting, move the trimmer head in and out of the grass to be cut and remove no more than 8 inches of length in a single cut.
	5. The battery pack or string trimmer is too hot.	5. Allow the battery pack to cool until the temperature drops below 158°F (70°C). Allow the trimmer to cool until the temperature drops below 140°C.
	6. The battery pack is disconnected from the tool.	6. Re-install the battery pack.
	7. The battery pack is depleted.	7. Charge the battery pack.



# TROUBLESHOOTING

---

<b>Problem</b>	<b>Cause</b>	<b>Solution</b>
Lines will not advance.	1. Lines are welded to themselves.	1. Lubricate with silicone spray.
	2. Not enough line on spool.	2. Install more line. Refer to Line Replacement earlier in this manual.
	3. Lines are worn too short.	3. Pull both lines while pressing button.
	4. Lines are tangled on spool.	4. Remove lines from spool and rewind. Refer to Line Replacement earlier in this manual.
Line keeps breaking.	1. Trimmer used incorrectly.	1. Only trim with the tip of the line, avoid stones, walls and other hard objects. Feed the line regularly to maintain full cutting width.
Grass wraps around trimmer head and motor housing.	1. Cutting tall grass at ground level	1. Cut tall grass from the top down, removing no more than 8 inches in each pass to prevent wrapping.
Line is not cutting well	1. The line-cutting blade on the edge of the guard has become dull.	1. Sharpen the line-cutting blade with a file or replace it with a new blade.

# LIMITED WARRANTY

---



GREENWORKS™ hereby warranties this product, to the original purchaser with **proof of purchase**, 2 year commercial power train warranty, 2 year commercial battery warranty against defects in materials, parts or workmanship. GREENWORKS™, at its own discretion will repair or replace any and all parts found to be defective, through normal use, free of charge to the customer. This warranty is valid only for units which have been used for personal use that have not been hired or rented and that have been maintained in accordance with the instructions in the owners' manual supplied with the product from new.

## **2 Year Limited Power Train Warranty Coverage:**

- Motor
- PCB Boards
- Gear Box
- 2 years from the date of purchase (non transferable)

## **2 Year Limited Battery Warranty Coverage:**

- Greenworks Commercial Battery Packs (GL 200, GL 250, GL 300, GL 400, GL 500, GL 900)
- 2 year from the date of purchase (non transferable)

## **60 Day Limited Wearable Parts Warranty Coverage:**

- Bars
- Blades
- Guards
- Chains
- Bump Feed Heads
- Tines
- 60 Days from date of purchase (non transferable)

## **Warranty Exclusions, Limitations and Rights:**

1. All warranties may not be transferred by the consumer to any subsequent purchaser.
2. Parts or components not supplied by the warrantor, or parts or components that have been modified.
3. Any failure resulting from the use of improper tools or improper repair procedures.

# LIMITED WARRANTY

---

4. Any failure or part that has become inoperative due to accident, impact, abuse, misuse, neglect, mishandling, dulling of cutting edges, or failure to operate the product in accordance with the information provided in the instruction manual supplied with the product.
5. Normal deterioration of the exterior due to use or exposure, and any repairs made necessary by normal wear, improper maintenance, improper lubrication, improper storage, dirt, abrasives, impact, moisture, water, rain, snow, rust, corrosion, varnish, or other similar conditions.
6. Routine maintenance items such as lubricants, blade sharpening.
7. The unit, if it has not been operated and/or maintained in accordance with the owner's manual.
8. Improper voltage for electric products and batteries that have been exposed to temperatures beyond those specified in the product's instruction manual, batteries that have not been properly charged or batteries that have reached their useful life.

## **GREENWORKS HELPLINE:**

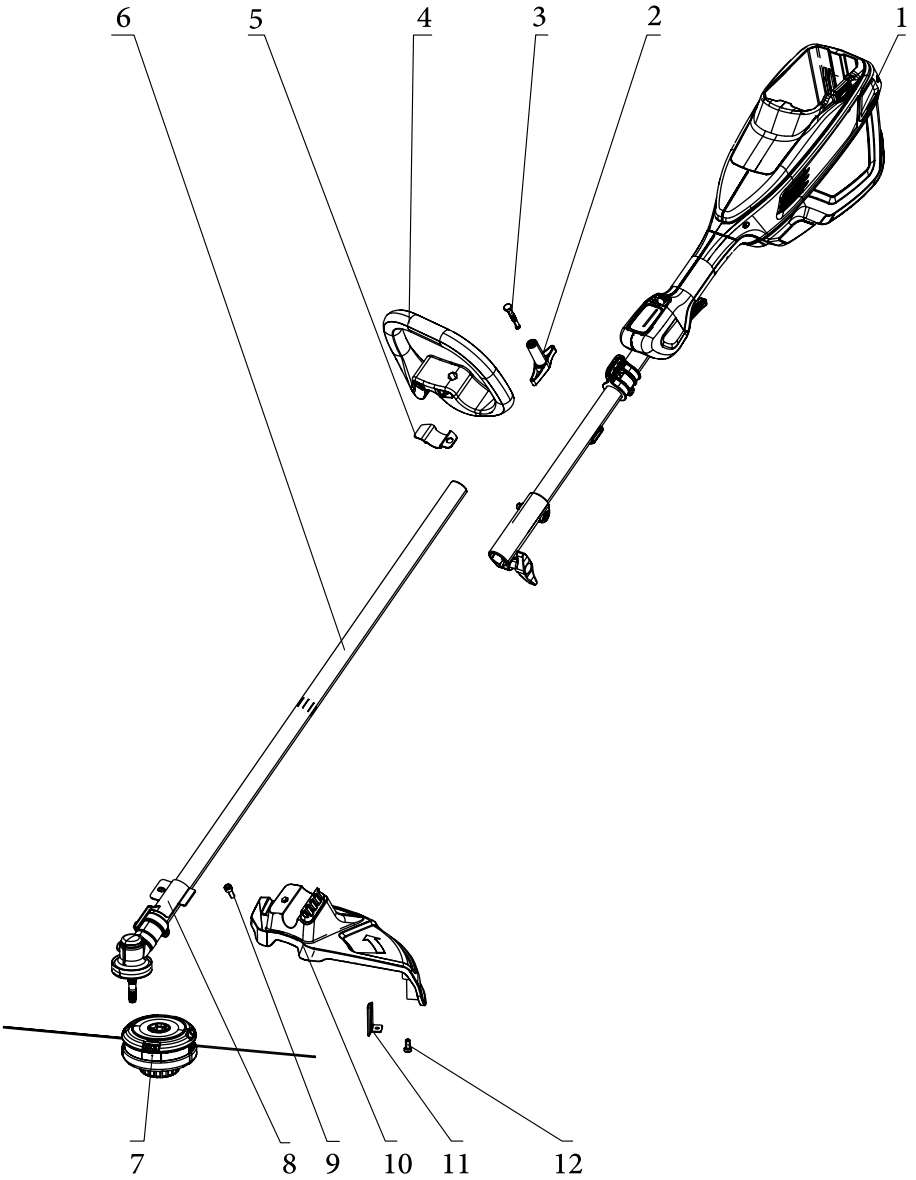
Warranty service is available by calling our toll-free helpline, at **1-855-470-4267**.

## **TRANSPORTATION CHARGES:**

Transportation charges for the movement of any power equipment unit or attachment are the responsibility of the purchaser. It is the purchaser's responsibility to pay transportation charges for any part submitted for replacement under this warranty unless such return is requested in writing by **GREENWORKS**.

# EXPLODED VIEW

---



# PARTS LIST

---

<b>Item No.</b>	<b>Part No.</b>	<b>Description</b>	<b>QTY</b>
1	311012465B	Rear power head assembly	1
2	341212461B	Knob	1
3	322042461	Screw M6*60	1
4	341112461	Auxiliary handle	1
5	33304877B	Lower clamp	1
6	311022465	Lower shaft assembly	1
7	311121410E	Trimmer head assembly	1
8	339042461	Bracket	1
9	322101048A	Screw M6*22	1
10	341102465A	Guard	1
11	333052461	Cur-off blade	1
12	322031444	Screw	1

# **GREENWORKS**

---

## **COMMERCIAL**

**Greenworks Tools  
PO Box 1238  
 Mooresville, NC 28115**

**TOLL-FREE HELPLINE: 1-855-470-4267**

 Printed in China on 100% Recycled Paper

---

# GREENWORKS

## COMMERCIAL

Coupe-herbe sans fil de 82 V

GT 161  
(2106602)



Guide d'utilisation

**LIGNE D'ASSISTANCE SANS FRAIS : 1-855-470-4267**

[www.greenworkstools.com/82v-Commercial/](http://www.greenworkstools.com/82v-Commercial/)

---

**⚠** Avant d'utiliser le produit, veuillez lire et suivre toutes les consignes de sécurité et les instructions d'utilisation.

# MATIÈRES

---

Matières .....	2
Fiche technique .....	2
Consignes de sécurité .....	3
Symboles .....	5
Connaitre votre coupe-herbe .....	7
Assemblage .....	8
Utilisation .....	13
Entretien .....	22
Mise au rebut de la batterie sans danger pour l'environnement .....	23
Dépannage .....	24
Garantie limitée .....	26
Vue éclatée et liste des pièces de rechange .....	28

## FICHE TECHNIQUE

---

### COUPE-HERBE SANS FIL DE 82 V AVEC BATTERIE LITHIUM-ION

Type .....	Sans fil et alimenté par bloc-batterie
Moteur .....	82V sans balai
Largeur du fil de coupe .....	.16" (406 mm)
Vitesse .....	4500-5500-6000-6500 RPM±10%
Diamètre du fil .....	Nylon / 0.08" (2 mm)
Type d'alimentation .....	Avancement automatique
Autonomie de la batterie .....	Jusqu'à 35 minutes
Temps de charge de la batterie .....	30 minutes
Poids (sans batterie) .....	10.8 lbs (4.9 kg)





# CONSIGNES DE SÉCURITÉ

---

## **A V E R T I S S E M E N T**

**Veillez lire et assimiler les présentes instructions.** Toute négligence à l'égard des instructions fournies ci-après peut être la cause d'un choc électrique, d'un incendie ou d'un grave accident corporel.

---

- Utilisez uniquement les pièces de remplacement et les accessoires recommandés par le fabricant. L'utilisation de toute autre composant peut entraîner des risques ou endommager le produit.
- Portez toujours des lunettes de sécurité avec des écrans latéraux. Les lunettes ordinaires n'ont que des lentilles résistantes à l'épreuve des chocs. Les lunettes ordinaires **NE SAURAIENT PAS REMPLACER** les lunettes de sécurité. Le respect de cette consigne de sécurité réduira le risqué des blessures oculaires. Utilisez un masque facial si l'utilisation de cet appareil produit de la poussière.
- Évitez les environnements dangereux - N'exposez pas les outils électriques à des conditions d'humidité. La pénétration d'eau dans un outil électrique augmente les risques d'électrocution.
- Ne pas utiliser sous la pluie.
- Gardez les spectateurs, les enfants et les animaux domestiques à au moins 15 mètres (50 pieds) de l'endroit de travail.
- Utilisez uniquement l'outil pour la fonction pour laquelle il a été conçu.
- Évitez les démarrages accidentels. Ne transportez pas le coupe-herbe branché avec votre doigt sur l'interrupteur. Assurez-vous que l'interrupteur est en position OFF (arrêt) avant de brancher le cordon d'alimentation.
- N'utilisez pas cet outil pieds nus ou lorsque vous portez des sandales ou des chaussures légères. Portez des chaussures protectrices qui protègent vos pieds et vous permettent d'avoir une meilleure prise sur les surfaces glissantes.
- Évitez tout état de déséquilibre. Tenez vous de façon à être stable sur vos pieds en tout temps.
- Soyez prudent - gardez les yeux sur ce que vous faites et faites preuve de bon sens. N'utilisez pas l'outil si vous êtes fatigué, sous l'influence de drogues, d'alcool ou de médicaments.
- Rangez les outils que vous n'utilisez pas à l'intérieur - Lorsque vous ne l'utilisez pas, rangez l'outil à l'intérieur, dans un endroit sec et hors de la portée des enfants.
- Entretien des outils électriques - Remplacez la tête de coupe si le fil est fissuré, ébréché ou endommagé. Vérifiez que la tête de coupe est correctement installée et fixée. Maintenez les lames aiguisées afin de garantir votre sécurité ainsi que des performances optimales. Suivez les instructions de lubrification et de changement d'accessoires. Vérifiez régulièrement l'état du cordon de l'outil, faites réparer celui-ci par un centre de réparation agréé. Vérifiez régulièrement l'état de la rallonge utilisée, remplacez celle-ci si elle s'avère endommagée. Maintenez les poignées sèches, propres, sans huile ni graisse. Ne pas respecter cette recommandation peut causer de graves blessures.
- Vérifiez la présence de pièces endommagées. Avant d'utiliser l'outil à nouveau, tout protecteur ou pièce endommagée doit être vérifiée afin d'assurer qu'elle accomplira correctement sa fonction. Vérifiez l'alignement ou le coincement des pièces mobiles, les composantes brisées, le montage ou toute autre condition qui pourrait affecter le bon fonctionnement de l'outil. Un garde protecteur ou toute pièce qui est endommagée doit être réparée adéquatement ou remplacée par un centre de service autorisé, à moins d'indication contraire dans le présent guide.
- Ne chargez pas cet outil à batterie sous la pluie ou dans les endroits humides ou mouillés. Le respect de cette règle de sécurité réduira le risqué de choc électrique.
- Enlevez ou déconnectez la batterie avant l'entretien, le nettoyage ainsi que l'enlèvement des

# CONSIGNES DE SÉCURITÉ

---

débris des appareils de jardinage.

- Ne jetez pas les batteries au feu. Elle peut exploser. Vérifiez les directives locales pour savoir si elles comportent des instructions particulières concernant la mise au rebut des batteries.
- N'ouvrez pas ni mutiliez les batteries. L'électrolyte qui s'en dégagerait est corrosive et elle pourrait blesser les yeux ou la peau. En outre, ce produit est toxique lorsqu'ingéré.
- Maniez les batteries avec soin afin de ne pas les court-circuiter avec des matériaux conducteurs tels que des bagues, des bracelets et des clés. La batterie ou le conducteur peuvent être surchauffés et causer des brûlures.
- Portez des vêtements appropriés. Ne portez pas de vêtements amples, de gants, de cravate ni de bijoux (bracelets, montre, etc.) qui risqueraient de se prendre dans les pièces mobiles.
- N'appliquez aucune force inutile sur l'outil - L'outil électrique approprié effectuera le travail de manière plus efficace et plus sûre, utilisé au rythme pour lequel il est conçu.
- N'utilisez que le chargeur préconisé par le fabricant. L'utilisation d'un chargeur prévu pour un type de batterie avec un autre type de batterie peut entraîner un risque d'incendie.
- À utiliser uniquement avec les modèles de batterie (GL 200, GL 250, GL 300, GL 400, GL 500, GL 900). À utiliser uniquement avec le chargeur de batterie GC 400.
- Lorsque la batterie n'est pas utilisée, éloignez-la des autres objets métalliques tels que trombones, pièces de monnaie, clés, clous, vis, ou autres petits objets susceptibles de court-circuiter les bornes de la batterie. La mise en court-circuit des bornes de la batterie peut causer des brûlures et entraîner un incendie.
- Sous des conditions abusives, du liquide peut être éjecté de la batterie, évitez d'entrer en contact avec ce liquide. En cas de contact accidentel, lavez à grande eau. Si du liquide entre en contact avec les yeux, consultez immédiatement un médecin. Le liquide éjecté de la batterie peut causer des irritations ou des brûlures.
- N'utilisez pas la batterie lorsque celle-ci est endommagée ou modifiée. Les batteries modifiées ou endommagées peuvent présenter un comportement imprévisible et causer un incendie, une explosion ou des blessures corporelles.
- N'exposez pas la batterie ou un outil électrique à des sources de flammes ou une température excessive. Exposer l'appareil à un incendie ou une température supérieure à 265 °F (130 °C) peut entraîner des explosions.

---

## **⚠ A V E R T I S S E M E N T (PROPOSITION 65)**

Certaines poussières que produisent le ponçage, sciage, meulage et forage électriques ainsi que les autres activités de construction contiennent des substances chimiques qui sont des cancérigènes connus susceptibles de causer des anomalies congénitales ou d'autres préjudices à la reproduction. Quelques exemples en sont:

- Plomb des peintures à base de plomb
- Silice cristalline des briques et du ciment ou d'autres produits de maçonnerie, et
- Arsenic et chrome du bois traité chimiquement.

Le niveau de risque résultant de votre exposition à ces produits varie selon la fréquence à laquelle vous effectuez ce type de travail. Pour réduire votre exposition à ces produits chimiques travaillez dans un endroit bien aéré et utilisez des équipements de sécurité approuvés tels que les masques anti-poussière conçus particulièrement pour le filtrage des particules microscopiques.








---

## **CONSERVEZ CES INSTRUCTIONS**

---

# SYMBOLES




Certains des symboles suivants peuvent figurer sur votre outil. Veuillez les étudier et en apprendre la signification. En interprétant correctement ces symboles, vous serez en mesure de faire fonctionner l'outil de façon plus efficace et plus sûre.

SYMBOLES	NOM	DÉSIGNATION/EXPLICATION
V	Volts	Tension (potentiel)
A	Amperes	Courant
Hz	Hertz	Fréquence (cycles par seconde)
W	Watts	Puissance
min	Minutes	Temps
~	Courant alternatif	Type ou caractéristique du courant
/min	Par Minute	Tours, coups, vitesse de surface, orbites etc., par minute.
≡	Courant continu	Type ou caractéristique du courant
	Aucune lame	N'installer ou utiliser aucun type de lame sur les produits affichant ce symbole.
	Alerte d'humidité	Ne pas exposer à la pluie ou utiliser dans les endroits humides.
	Lire le manuel d'utilisation	Pour réduire le risque de blessures, l'utilisateur doit lire et bien comprendre le mode d'emploi de ce produit avant de l'utiliser.
	Protection oculaire	Porter toujours des lunettes protectrices conformes à la norme ANSI Z87.1.
	Symbole d'alerte	Précautions destinées à votre sécurité.
	Ricochet	Des objets jetés peuvent ricocher et résulter en blessures ou dommage matériel.
	Garder les spectateurs à l'écart	Garder tout spectateur à une distance d'au moins 50 pieds (15 mètres).

# SYMBOLES

---

Les symboles suivants et leur signification servent à expliquer les niveaux des risques liés à ce produit.

SYMBOLE	SIGNAL	SIGNIFICATION
	<b>DANGER</b>	Indique une situation extrêmement dangereuse qui, si elle n'est pas évitée, aura pour conséquence des blessures graves voire mortelles.
	<b>AVERTISSEMENT</b>	Indique une situation potentiellement dangereuses, qui si elle n'est pas évitée, peut entraîner des conséquences mortelles ou des blessures graves.
	<b>ATTENTION</b>	Indique une situation potentiellement dangereuse, si elle n'est pas évitée, peut résulter en blessures légères ou de gravité modérée.
	<b>ATTENTION</b>	(Sans symbole d'alerte de sécurité) Indique une situation pouvant entraîner des dommages matériels.

## ENTRETIEN

L'entretien exige un soin minutieux et une bonne connaissance du produit et ne doit être effectué que par un spécialiste d'entretien qualifié. À cette fin nous vous recommandons de retourner le produit au **CENTRE D'ENTRETIEN AGRÉÉ** le plus proche. Lors de l'entretien du produit, utilisez uniquement des pièces de recharge identiques.

---

## A V E R T I S S E M E N T

Pour éviter toute blessure grave ne tentez pas d'utiliser ce produit avant de lire le Manuel d'Utilisation et le comprendre complètement. Si vous ne comprenez pas les avertissements ou les instructions de ce Manuel d'Utilisation, n'utilisez pas ce produit. Veuillez appeler le service clientèle GREENWORKS pour assistance. Lors de l'utilisation de tout outil électrique d'autres objets pourraient pénétrer dans vos yeux et produire des dommages oculaires graves. Avant d'utiliser un outillage électrique portez toujours des lunettes de protection ou de sécurité avec des écrans latéraux, et si nécessaire, un masque facial complet. Nous recommandons d'utiliser le Wide Vision Safety Mask au-dessus de vos lunettes de protection ou des lunettes de sécurité ordinaires avec des écrans latéraux. Utilisez toujours une protection oculaire conforme à la norme ANSI Z87.1.

---

---

## A V E R T I S S E M E N T



Lors de l'utilisation de tout outil électrique d'autres objets pourraient pénétrer dans vos yeux et produire des dommages oculaires graves. Avant d'utiliser un outillage électrique portez toujours des lunettes de protection ou de sécurité avec des écrans latéraux, et si nécessaire, un masque facial complet. Nous recommandons d'utiliser le Wide Vision Safety Mask au-dessus de vos lunettes de protection ou des lunettes de sécurité ordinaires avec des écrans latéraux. Utilisez toujours une protection oculaire conforme à la norme ANSI Z87.1.

---

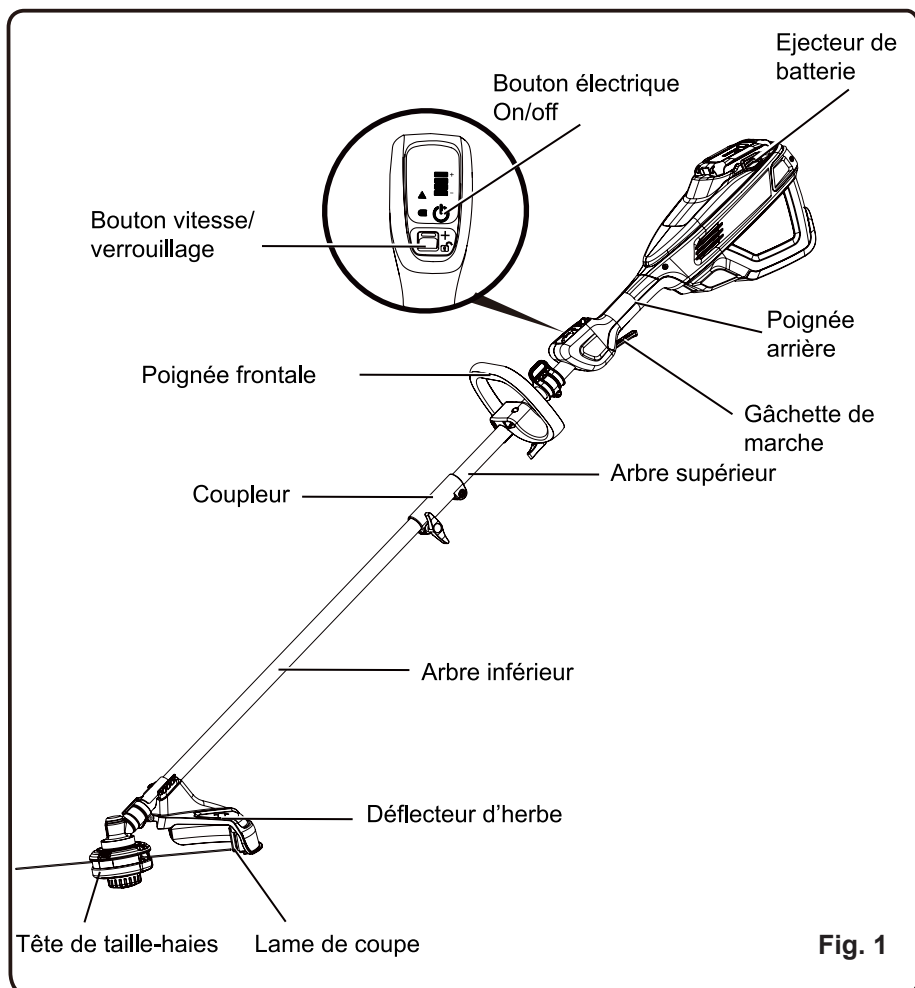
## CONSERVEZ CES INSTRUCTIONS

---

# CONNAITRE VOTRE COUPE-HERBE

## CONNAITRE VOTRE COUPE-HERBE (Voir Illustration 1.)

L'utilisation sûre de ce produit exige une compréhension des renseignements figurant sur l'outil et contenus dans ce manuel d'utilisation, ainsi qu'une bonne connaissance du projet que vous entreprenez. Avant d'utiliser ce produit, familiarisez-vous avec toutes ses caractéristiques et les règles de sécurité.



# ASSEMBLAGE

## DÉBALLAGE

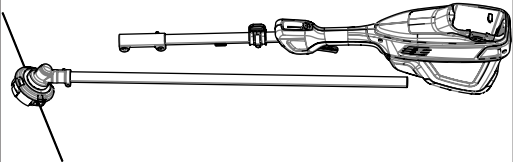

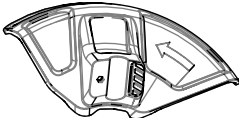

Ce produit exige un assemblage.

- Sortez le produit et les accessoires soigneusement de la boîte. Assurez-vous que toutes les pièces figurant sur la liste de contrôle sont incluses.
- Examinez soigneusement le produit pour s'assurer que rien n'a été brisé ou endommagé en cours de transport.
- Ne jetez pas les matériaux d'emballage avant d'avoir soigneusement examiné le produit et avoir vérifié qu'il fonctionne à votre satisfaction.
- Si des pièces manquent ou sont endommagées, appeler le 1-855-470-4267.

## ⚠ AVERTISSEMENT

N'utilisez pas ce produit si vous remarquez qu'une pièce figurant sur la liste de contrôle est déjà assemblée après avoir déballé le produit. Aucune pièce de cette liste n'est assemblée par le fabricant et exige une installation de la part de l'utilisateur. L'usage d'un produit assemblé incorrectement peut résulter en de blessures graves.

## LISTE DE CONTRÔLE D'EXPÉDITION

Nom des pièces	Figure	Qté
Coupe-herbe		1
Poignée auxiliaire		1
Défecteur d'herbe		1
Manuel d'utilisation		1

# ASSEMBLAGE

---

---

## **⚠ A V E R T I S S E M E N T**

Si des pièces manquent ou sont endommagées, ne pas utiliser ce produit avant qu'elles aient été remplacées. L'usage de ce produit avec des pièces endommagées ou manquantes peut résulter en de blessures graves.

---

---

## **⚠ A V E R T I S S E M E N T**

Ne tentez pas de modifier ce produit ou de créer des accessoires non recommandés pour ce produit. De telles altérations ou modifications sont considérées comme un usage abusif et peuvent créer des conditions dangereuses, risquant d'entraîner des blessures graves.

---

---

## **⚠ A V E R T I S S E M E N T**

Ne branchez pas sur la source d'alimentation avant d'avoir terminé l'assemblage. Le non-respect de cet avertissement peut causer un démarrage accidentel, entraînant des blessures graves.

---

# ASSEMBLAGE

---

## INSTALLER LE DÉFLECTEUR D'HERBE (Voir Illustration 2.)

*REMARQUE: Installez le déflecteur d'herbe avant que l'accessoire ne soit raccordé au bloc moteur.*

1. Retournez la débroussailluse pour accéder à la tête de coupe.
2. Placez l'arbre inférieur dans la rainure de la protection.

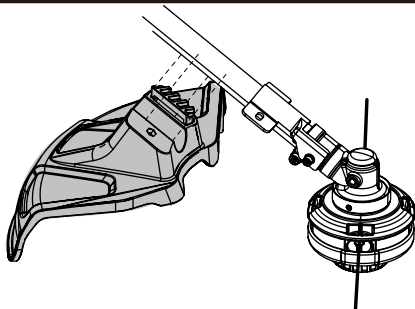


Fig. 2.1

3. Insérez le support (1) dans le logement (2).
4. Alignez les trous des vis du couvercle du support avec ceux de la protection.
5. Installez et serrez les vis.

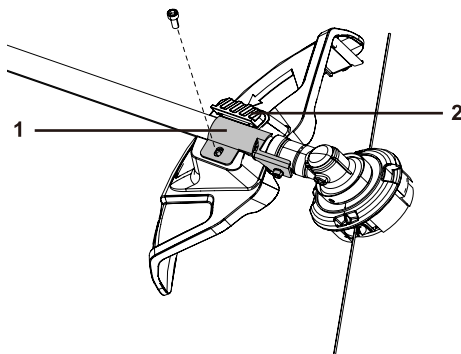


Fig. 2.2



# ASSEMBLAGE

## INSTALLATION DE LA TIGE SUP ÉRIEURE ET DE LA TIGE INFÉRIEURE

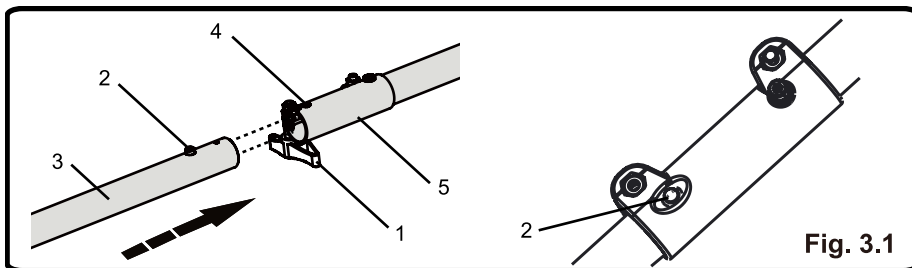
(Voir Illustration 3.)

### **AVERTISSEMENT**

Veillez à ne jamais installer, retirer ou régler un accessoire lorsque la débroussailleuse est en marche. Ne pas préalablement arrêter le moteur peut causer de graves blessures.

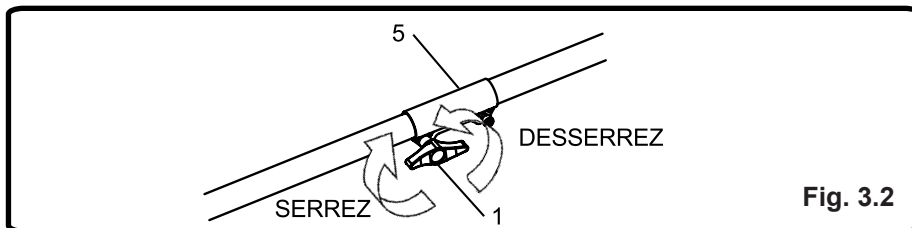
L'accessoire se fixe à la tête de coupe au moyen d'un adaptateur.

1. Installez l'unité sur une surface plane.
2. Desserrez le bouton (1) du coupleur (5).
3. Appuyez sur le bouton de déverrouillage (2) situé sur l'axe de l'accessoire (3). Alignez le bouton de déverrouillage avec l'orifice de positionnement (4) puis assemblez les deux axes. Tournez l'axe de l'accessoire jusqu'à ce que le bouton se verrouille dans l'orifice correspondant.



*REMARQUE : Si le bouton ne s'enclenche pas complètement dans le trou de positionnement, les arbres ne sont pas bien verrouillés. Tournez-les légèrement dans deux sens jusqu'à ce que le bouton s'enclenche complètement.*

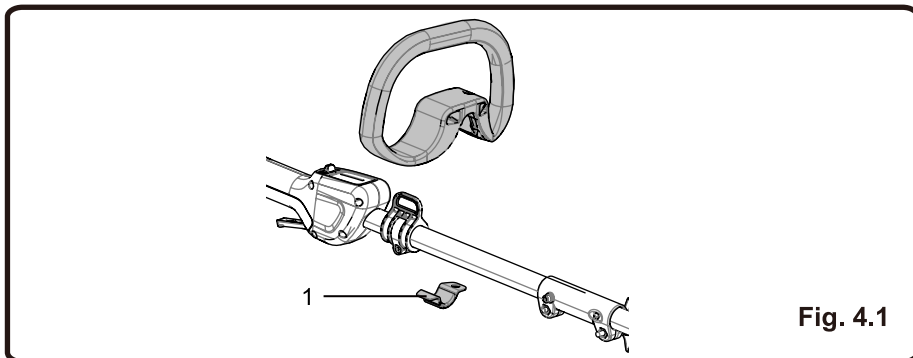
4. Serrez le bouton fermement.



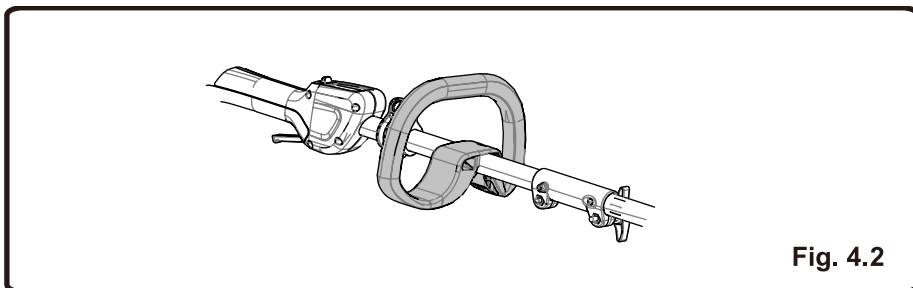
# ASSEMBLAGE

## INSTALLER LA POIGNÉE AVANT (Voir Illustration 4.)

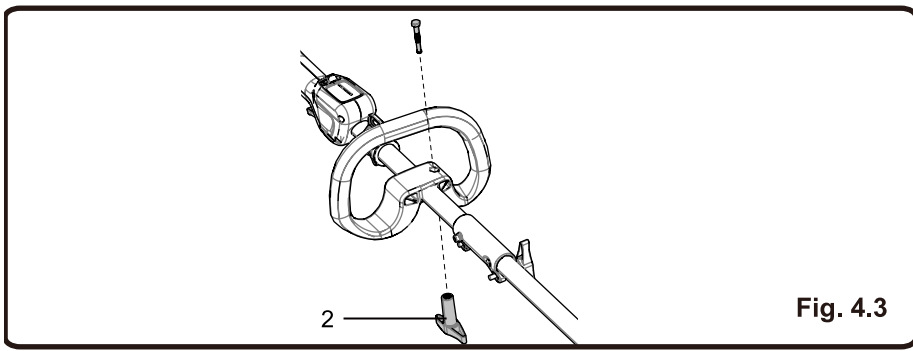
1. Appuyez sur la poignée auxiliaire située sur la tige supérieure de manière à ce que la poignée soit alignée vers la poignée arrière et permettre ainsi une position confortable.
2. Fixez la poignée auxiliaire et la fixation inférieure (1) de la tige.



3. Ajustez la hauteur de la poignée, si nécessaire, à la position de votre choix.



4. Insérez le bouton de la poignée (2) à travers la poignée auxiliaire. Serrez jusqu'à ce que la poignée ne bouge plus.



# UTILISATION

---

## **⚠ A V E R T I S S E M E N T**

Lisez et veillez à bien comprendre le manuel d'utilisation en entier pour chaque accessoire optionnel de cette tête de coupe électrique. Suivez toutes les consignes de sécurité et les instructions. Le non-respect de ces instructions peut résulter en choc électrique, incendie et/ou des blessures graves.

---

## **⚠ A V E R T I S S E M E N T**

Ne laissez pas la familiarité avec le produit vous faire oublier la prudence. N'oubliez pas qu'une fraction de seconde d'inattention peut entraîner des blessures graves.

---

## **⚠ A V E R T I S S E M E N T**

N'utilisez pas des accessoires non recommandés par le fabricant sur ce produit. L'usage des accessoires non recommandés pourrait résulter en blessures graves.

---

## **⚠ A V E R T I S S E M E N T**

Ce coupe-herbe n'est pas prévu à utiliser avec les accessoires de débroussailleur. L'emploi de l'accessoire de débroussailleur pourrait provoquer des blessures graves ou des dommages matériels.

---

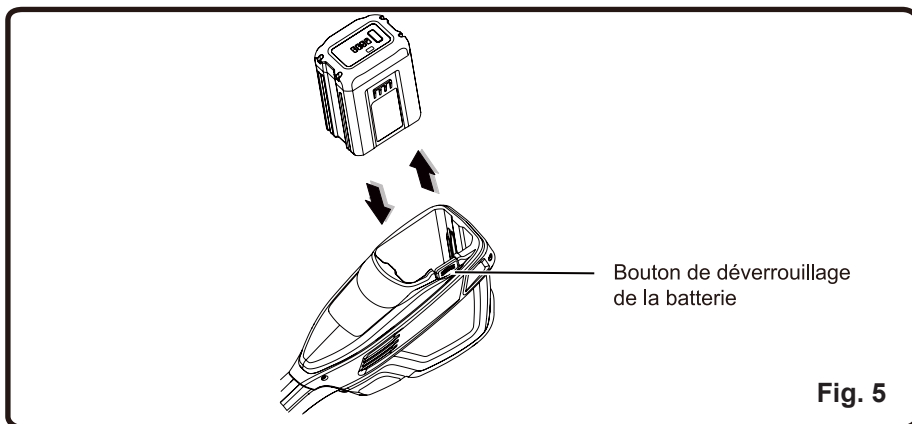
# UTILISATION

## INSTALLATION DE LA BATTERIE (Voir Illustration 5.)

- Insérez la batterie dans l'outil jusqu'à entendre un clic.

## RETIRER LA BATTERIE (Voir Illustration 5.)

- Poussez et maintenez le bouton d'éjection de la batterie sur le côté du boîtier arrière.
- Sortez le bloc-batterie et appuyez sur le bouton.



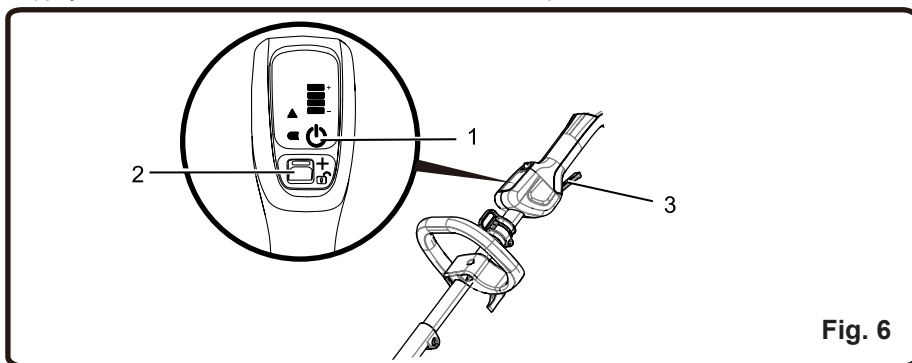
## DÉMARRER ET ARRÊTER LA TÊTE DE COUPE ÉLECTRIQUE (Voir Illustration 6.)

Pour démarrer l'unité :

- Appuyez sur le bouton marche/arrêt d'alimentation (1).
- Tirez sur le bouton de verrouillage de sécurité (2) et pressez la gâchette (3) pour démarrer l'unité.
- Poussez le bouton de sécurité vers l'avant pour régler la vitesse en fonction de l'état de l'herbe.

Pour arrêter l'unité :

- Relâchez la gâchette.
- Appuyez à nouveau sur le commutateur d'alimentation pour éteindre l'unité.



# UTILISATION

---

## L'UTILISATION DU COUPE-HERBE (Voir Illustration 7.)

---

### **⚠ A V E R T I S S E M E N T**

Toujours tenir le coupe-herbe à distance de soi en maintenant un périmètre de sécurité entre le corps et le coupe-herbe. Tout contact avec la tête de coupe du coupe-herbe en cours d'utilisation peut causer des blessures graves.

---

#### **Suivre ces conseils lors de l'utilisation du coupe-herbe :**

- Tenir le coupe-herbe avec la main droite sur la poignée arrière et la main gauche sur la poignée avant.
- Garder une prise ferme sur les deux poignées pendant le fonctionnement.
- Maintenir le coupe-herbe dans une position confortable, la poignée arrière à peu près à la hauteur de la taille.
- Couper les herbes hautes de haut en bas. Ceci empêchera l'herbe de s'enrouler sur le perche et la tête de coupe, ce qui pourrait causer des dommages dus à une surchauffe.

#### **Si l'herbe s'enroule autour de la tête de coupe :**

- Retirer la batterie.
- Retirer l'herbe.



**Fig. 7**

# UTILISATION

---

## **⚠ A V E R T I S S E M E N T**

Tout contact avec l'accessoire de la tête-coupe peut provoquer des brûlures et/ou autres blessures graves.

---

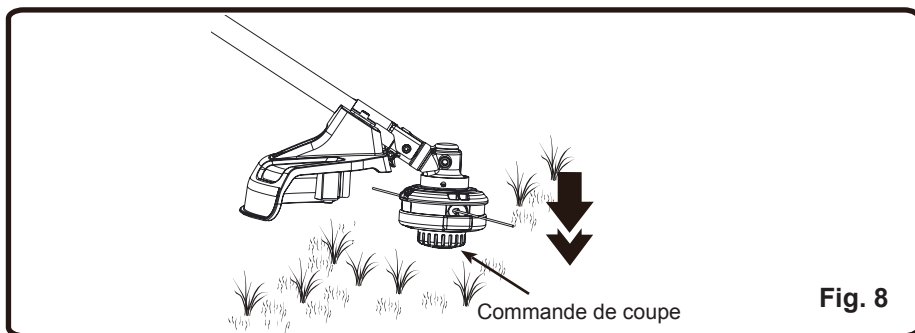
## **⚠ A V E R T I S S E M E N T**

Lisez les avis de sécurité lorsque vous utilisez un accessoire à lame et consultez les consignes de sécurité et les instructions de votre manuel des accessoires. N'utilisez jamais de débroussailleuse ou d'autre type d'accessoire avec cette tête de coupe électrique. L'utilisation incorrecte de lame ou d'autres accessoires peut résulter en blessures graves.

---

### **AVANCE DE LIGNE DE COUPE (Voir Illustration 8.)**

En cours de fonctionnement de l'outil, le fil de coupe s'use et se raccourcit. Ce coupe-herbe est équipée d'un dispositif d'avancement par coup de la longueur du fil qui règle par coup au sol la longueur du fil lorsque celui-ci se raccourcit. La lame de coupe permet de couper l'excès de fil afin de maintenir une largeur de coupe homogène.

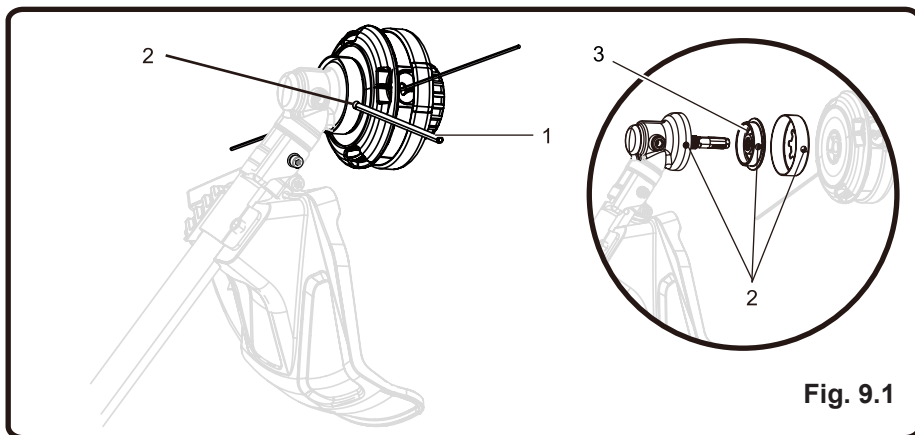


# UTILISATION

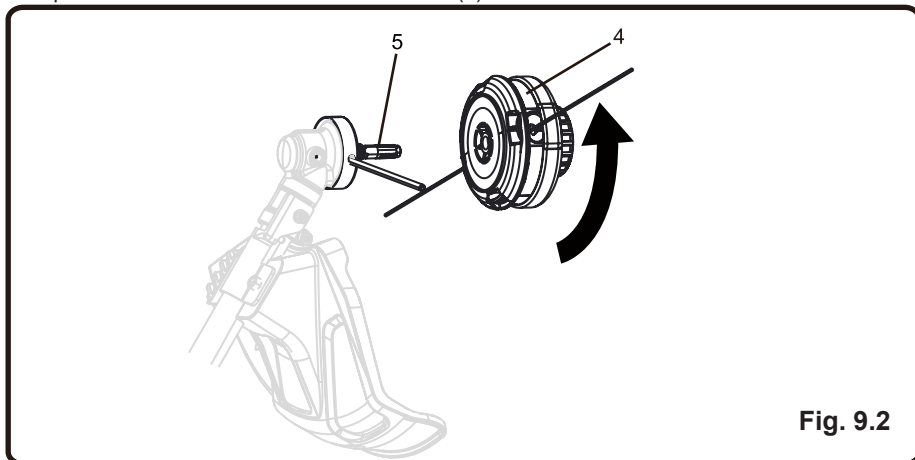
## REPLACEMENT DE LA TÊTE DE COUPE (Voir Illustration 9.)

La tête de coupe doit être remplacée lorsque vous apercevez des dommages ou lorsque les indicateurs d'usure de la partie avant sont usés. Si vous remplacez seulement le fil, consultez la section **Remplacer le fil** de ce manuel.

1. Arrêtez l'appareil puis retirez la batterie.
2. Insérez l'outil de verrouillage de la tête de coupe ou un tournevis (1) à travers l'emplacement (2). Tourner la tête de coupe et pousser sur l'outil (1) jusqu'à ce que l'outil s'enclenche dans le trou de la bague intérieure (3), bloquant ainsi la rotation.



3. Faire tourner la tête de coupe (4) dans le sens des aiguilles d'une montre jusqu'à ce qu'on puisse l'enlever de l'arbre de transmission (5).



4. Installez la nouvelle tête de coupe puis tournez-la dans le sens anti-horaire pour la fixer.

# UTILISATION

## REPLACEMENT DE LA BOBINE (Voir Illustration 10.)

Si vous remplacez seulement le fil, consultez la section Remplacer le fil de ce manuel.

1. Appuyez les pattes du côté de la tête de coupe et enlevez le couvercle et la bobine.

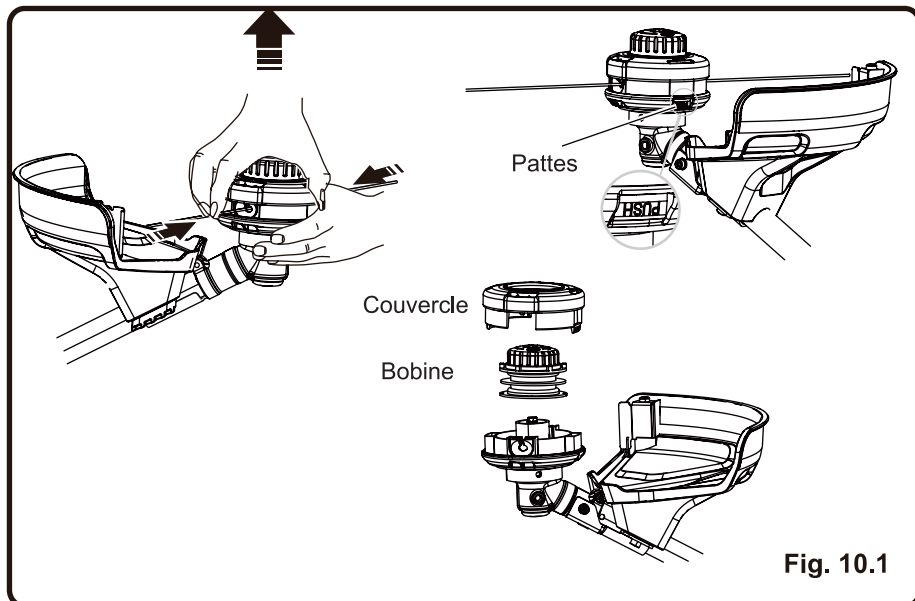


Fig. 10.1

2. Retirez tout fil restant.
3. Nettoyez la saleté et les débris de toutes les pièces.
4. Installez la bobine dans son boîtier de la bobine comme indiqué ci-dessous.

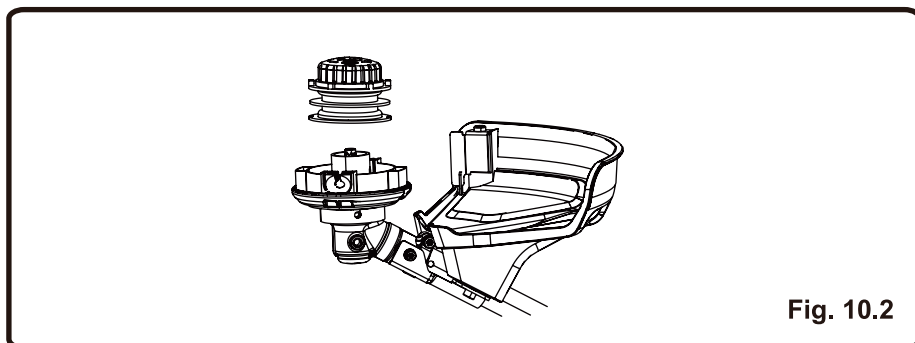
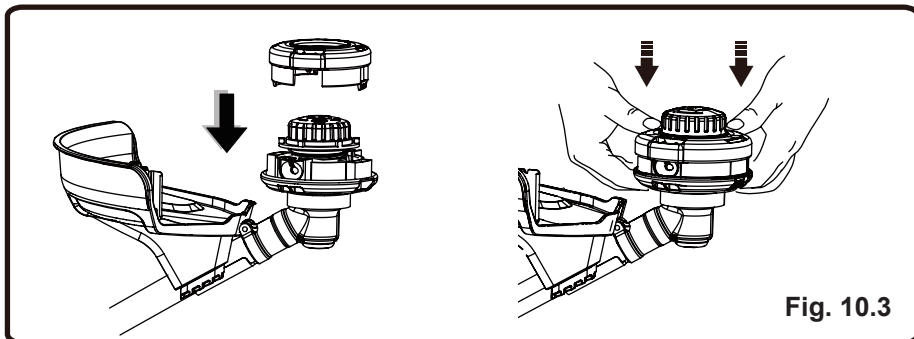


Fig. 10.2



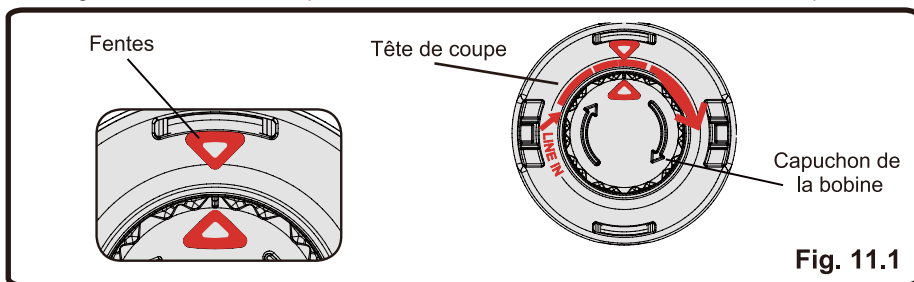
# UTILISATION

5. Réinstallez le couvercle sur la tête de coupe. Poussez jusqu'à ce que le couvercle soit bien bloqué en place.

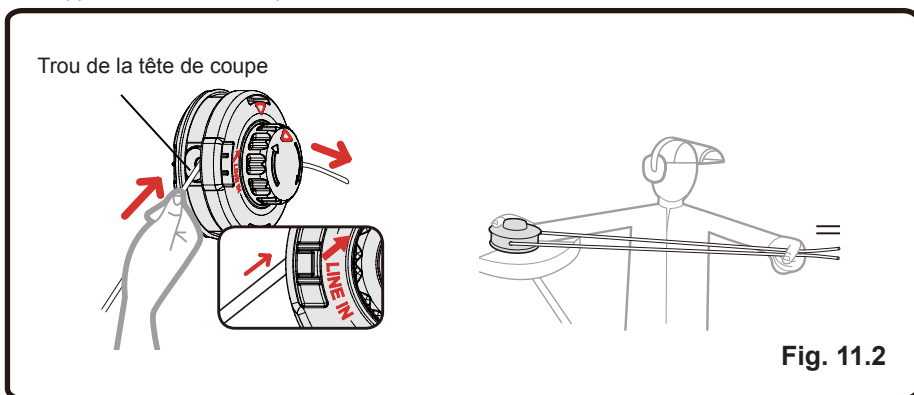


## REPLACER LE FIL (Voir Illustration 11.)

1. Alignez les fentes sur le capuchon de la bobine avec les fentes de la tête de coupe.



2. Insérez le fil par le trou de la tête de coupe. Poussez le fil jusqu'à ce qu'il sorte du trou opposé à la tête de coupe.



## UTILISATION

3. Tirez le fil à travers jusqu'à ce qu'il y a du fil égal de chaque côté.

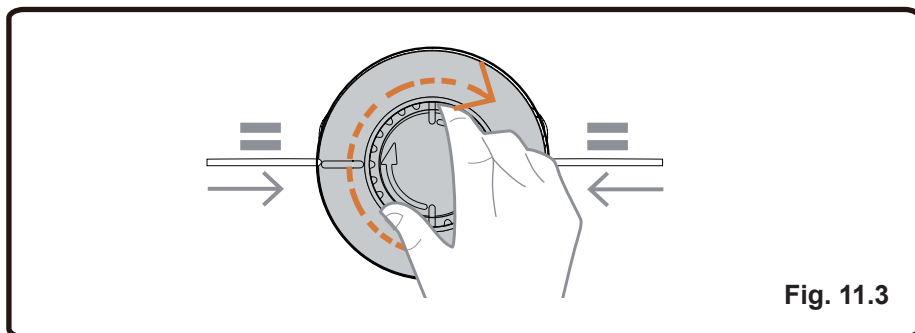


Fig. 11.3

4. Tournez le capuchon de la bobine dans le sens des aiguilles d'une montre pour commencer le bobinage du fil dans la tête de coupe. Laissez environ 5 pouces de fil sortant de chaque côté de la tête.

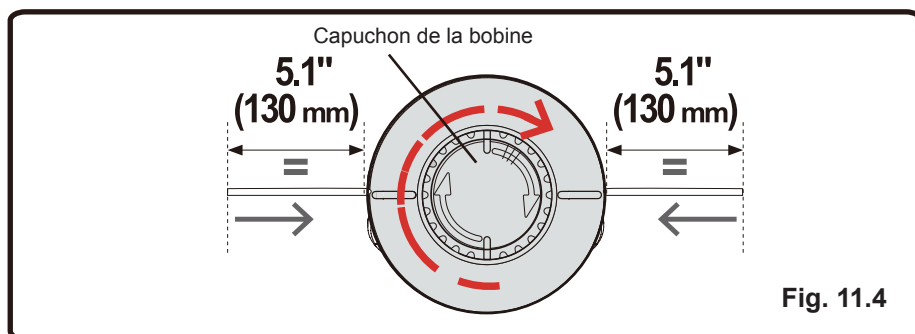


Fig. 11.4

# UTILISATION

## CONSEILS DE COUPE (Voir Illustration 12.)

- Pour une efficacité maximale, gardez le coupe-herbe incliné vers la zone de coupe; ce qui est la meilleure zone de coupe.
- Pour couper avec le coupe-herbe, utilisez-le en un mouvement de balayage de droite à gauche. Ceci évite que les débris soient projetés en direction de l'utilisateur. Évitez de couper dans la zone dangereuse comme le montre l'illustration 12.
- Coupez avec l'extrémité de la ligne; ne forcez pas la tête de coupe dans l'herbe non coupée.
- Les palissades en métal et en bois accélèrent l'usure de la ligne et peuvent la faire casser. Les murs en pierre et brique, trottoirs et pièces de bois peuvent user la ligne rapidement.
- Contournez les arbres et les arbustes. L'écorce des arbres, les moulures en bois, le lambrissage et les piquets de palissades peuvent être facilement endommagés par la ligne.

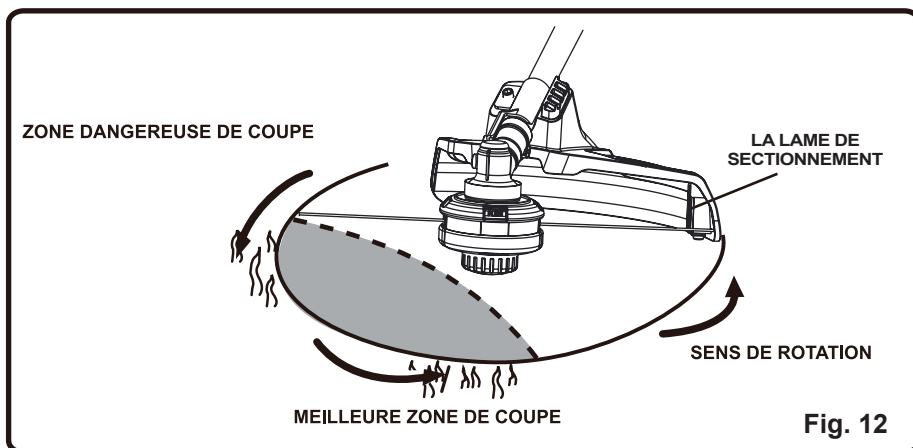


Fig. 12

## LA LAME DE SECTIONNEMENT (Voir Illustration 12.)

Ce coupe-herbe est équipée d'une lame coupe-ligne montée sur le déflecteur. Pour obtenir une coupe optimale, faire progresser le fil jusqu'à ce qu'il soit coupé à la longueur correcte par la lame coupe-ligne. Le fil doit être avancé chaque fois que le moteur tourne à une vitesse supérieure à la normale ou lorsque la coupe devient moins efficace. Ceci permet de maintenir une efficacité maximum et de maintenir une longueur de fil suffisante pour avancer correctement.

# ENTRETIEN

---

## ENTRETIEN GÉNÉRAL

Évitez d'utiliser des solvants pour le nettoyage des pièces en plastique. La plupart des matières plastiques peuvent être endommagées par divers types de solvants commerciaux. Utilisez un chiffon propre pour éliminer la saleté, la poussière, le lubrifiant, la graisse, etc.

Nettoyez toujours l'appareil avant de la ranger, rangez celle-ci dans un endroit sec et en ayant préalablement chargé la batterie.

Tâche d'entretien	À chaque fois que la machine est utilisée	Toutes les deux heures	Chaque semaine	Après utilisation	Chaque année ou lorsque nécessaire
L'inspection visuelle des systèmes de sécurité de l'outil (dispositif d'écartement, œil de transport, boîtier de sécurité)	X			X	
Vérifiez le fonctionnement du système de sécurité de la gâchette	X				
Vérifiez le tranchant de la lame et affutez-les si nécessaire.	X	X			X
Vérifiez visuellement l'outil (aucune fissure ou déformation).	X	X			X
Vérifiez visuellement l'outil au niveau de la fixation de la tige (aucune déformation ou usure)	X	X			X
Vérifiez le niveau de charge de la batterie.	X				
Inspection de l'outil par un revendeur Greenworks agréé					X

# MISE AU REBUT DE LA BATTERIE SANS DANGER POUR L'ENVIRONNEMENT

---



---

## **⚠ A V E R T I S S E M E N T**

Toutes matières toxiques doivent être éliminées conformément aux directives afin d'éviter de contaminer l'environnement. Avant de mettre au rebut un bloc-batterie de type lithium-ion endommagé ou usé, communiquez avec votre agence locale d'élimination des déchets pour obtenir de plus amples renseignements et les directives appropriées. Apportez les batteries au centre local de recyclage et d'enfouissement autorisé pour la mise au rebut des batteries au lithium-ion.

---

---

## **⚠ A V E R T I S S E M E N T**

Si le bloc-batterie comporte une fissure, et ce, même en l'absence d'une fuite, vous ne devez pas le recharger ou l'utiliser. Vous devez alors vous en débarrasser et le remplacer par un nouveau bloc-batterie. **N'ESSAYEZ PAS DE LE RÉPARER!** Ceci a pour but d'éviter les blessures et les risques d'incendie, de déflagration ou de choc électrique ou les possibilités de contaminer l'environnement:

- Couvrez les bornes de la batterie à l'aide d'un ruban adhésif résistant.
  - Ne tentez PAS de retirer ou de détruire un composant quelconque du bloc-batterie.
  - Ne tentez PAS d'ouvrir le bloc-batterie.
  - Lorsqu'une fuite survient, les substances électrolytes qui s'en dégagent sont corrosives et toxiques. ÉVITEZ que cette solution vous pénètre dans les yeux ou la peau et ne l'avalez pas.
  - ÉVITEZ de placer ce type de batteries dans vos ordures ménagères.
  - ÉVITEZ de les incinérer.
  - ÉVITEZ qu'elles se retrouvent dans un site d'enfouissement quelconque ou dans des installations municipales de déchets solides.
  - Apportez-les dans un centre d'enfouissement ou de recyclage accrédité.
-

# DÉPANNAGE

Problème	Cause Possible	Solution
Le coupe-herbe ne peut pas démarrer lorsque j'appuie sur le bouton de verrouillage.	1. La batterie n'est pas fixée au coupe-herbe.	1. Fixez la batterie au coupe-herbe.
	2. Il n'y a pas de contact électrique entre l'outil et la batterie.	2. Retirez la batterie, vérifiez les contacts puis réinstallez la batterie.
	3. La batterie est à plat.	3. Chargez la batterie.
	4. Le levier de déverrouillage et la gâchette ne sont pas pressés simultanément.	4. Tirez sur le bouton de verrouillage de sécurité et pressez la gâchette pour démarrer l'unité.
	5. N'appuyez pas sur le bouton d'alimentation, mais directement sur la gâchette.	5. Appuyez sur le bouton d'alimentation, l'indicateur d'alimentation se déclenche plus tard.
Le coupe-herbe s'arrête en cours de coupe.	1. Le déflecteur d'herbe n'est pas installé sur le coupe-herbe, ce qui entraîne une coupe longue et une surcharge du moteur.	1. Retirez la batterie et installez le déflecteur d'herbe sur le coupe-herbe.
	2. Un fil de coupe renforcé est utilisé par l'outil.	2. Utilisez uniquement un fil de diamètre 0,08" ou moins.
	3. La tige du moteur ou tête de coupe est remplie d'herbe.	3. Arrêtez le coupe-herbe, retirez la batterie, puis retirez l'herbe de la tige du moteur et de la tête de coupe.
	4. Le moteur est en surcharge.	4. Retirez l'herbe contenue dans la tête de coupe. Le moteur redémarre normalement une fois la charge retirée. En cours de coupe, déplacez la tête de coupe vers le haut et le bas pour couper l'herbe, veillez à ne pas couper plus de 8 pouces d'herbe par passage.
	5. La batterie ou le coupe-herbe sont trop chaud.	5. Laissez la batterie refroidir jusqu'à ce que la température chute en dessous de 158 °F (70 °C). Laissez le coupe-herbe refroidir jusqu'à ce que la température chute en-dessous de 140 °C.
	6. La batterie est déconnecté de l'outil.	6. Réinstallez la batterie.
	7. La batterie est à plat.	7. Chargez la batterie.

# DÉPANNAGE

---

Problème	Cause Possible	Solution
Le fil n'avance pas.	1. La bobine est coincée.	1. Lubrifiez à l'aide d'un lubrifiant.
	2. Pas assez de fil sur la bobine.	2. Installez une nouvelle bobine. Consultez la section Remplacer le fil de ce manuel.
	3. Les fils sont trop usés.	3. Tirez les deux lignes tout en appuyant sur un bouton.
	4. Les fils sont coincés dans la bobine.	4. Retirez le fil de la bobine puis rembobinez-le. Reportez-vous à la section Remplacement du fil mentionnée dans les chapitres précédents de ce manuel.
Le fil n'arrête pas de se couper.	1. Le coupe-herbe n'est pas correctement utilisée.	1. Coupez toujours en utilisant le bout du fil, évitez les pierres, les murs et les autres objets solides. Alimentez le fil régulièrement afin de maintenir une largeur de coupe totale.
L'herbe s'enroule autour de la tête de coupe et du moteur du coupe-herbe.	1. Coupez l'herbe haute au niveau du sol.	1. Coupez l'herbe haute de haut en bas, en coupant pas plus de 8 pouces d'herbe à chaque passage afin de prévenir tout enroulement.
Le fil coupe mal.	1. La lame découpe-fil située au bord du déflecteur d'herbe est émoussée.	1. Affûtez la lame avec une lime ou remplacez-la par une nouvelle.

# GARANTIE LIMITÉE

---



GREENWORKS™ garantit par la présente ce produit contre tout défaut de matériau, pièce et main d'œuvre pour une période de 2 ans pour le rouage d'entraînement, une période de 2 an pour la batterie. Cette garantie est seulement accordée à l'acheteur original possédant une **preuve d'achat**. GREENWORKS™, à sa seule discrétion, réparera ou remplacera une ou plusieurs pièces défectueuses résultant d'une utilisation normale. Cette opération sera effectuée gratuitement. Cette garantie est uniquement valide pour les appareils utilisées à des fins personnelles, n'ayant pas été louées ou prêtées et qui ont été entretenues conformément aux instructions du manuel d'utilisation fourni avec le produit neuf.

## **Rouage d'entraînement protégé par une garantie limitée de 2 ans :**

- Moteur
- Panneaux PCB
- Boîte à roulement
- Cette garantie s'étend sur 2 ans à compter de la date d'achat (non transférable)

## **Batterie protégée par une garantie limitée de 2 an :**

- Batteries Greenworks (modèles GL 200, GL 250, GL 300, GL 400, GL 500, GL 900)
- Cette garantie s'étend sur 2 an à compter de la date d'achat (non transférable)

## **Pièces soumises à usure protégées par une garantie limitée de 60 jours :**

- Barres
- Lames
- Protections
- Chaînes
- Extrémité du dispositif d'avancement automatique
- Dents
- Cette garantie s'étend sur 60 jours à compter de la date d'achat (non transférable)

## **Exclusions, limitations et droits liés à la garantie :**

1. Les garanties ne peuvent être cédées par le consommateur à un autre acheteur.
2. Les pièces ou composants non fournis par le garant, ou les pièces/composants modifiés.
3. Toute panne résultant d'une utilisation d'outils inadéquats ou de procédures de réparation inadéquates.



# GARANTIE LIMITÉE

---

4. Toute défaillance ou pièce devenue inutilisable en raison d'un accident, d'un choc, d'un abus, d'une erreur d'utilisation, d'une négligence, d'une erreur de manipulation, d'émoussement ou de coupe des bordures ou l'utilisation du produit sans se conformer aux instructions continues dans le manuel d'utilisation fourni avec le produit neuf.
5. La détérioration normale de la partie extérieure due à une utilisation ou une exposition, et toute réparation jugée nécessaire par une usure normale, un entretien inadéquat, une lubrification inadéquate, un rangement inadéquat, la saleté, les matériaux abrasifs, les chocs, l'humidité, l'eau, la pluie, la neige, la rouille, la corrosion, le vernis, ou toute autre condition similaire.
6. Les outils de routine de maintenance comme les lubrifiants, l'affutage de la lame.
7. L'appareil, lorsque celle-ci n'a pas été utilisée et/ou entretenue selon les instructions de ce mode d'emploi, ou.
8. Une tension électrique inappropriée pour les produits et batteries électriques qui ont été exposés à des températures hors des plages spécifiées dans le mode d'emploi, les batteries n'ayant pas été chargées ou les batteries ayant atteint la fin de leur cycle de vie.

## **LIGNE D'ASSISTANCE GREENWORKS :**

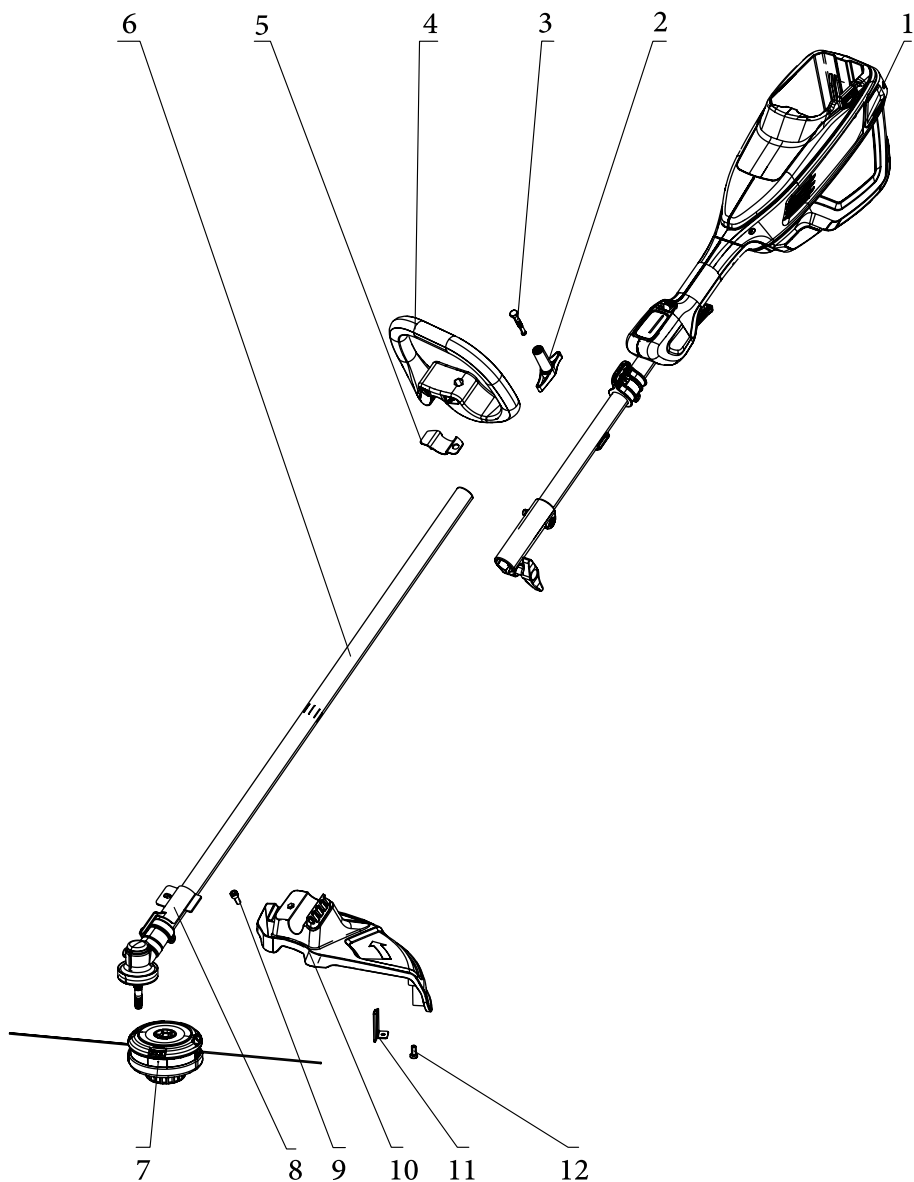
Le service de garantie est disponible en appelant notre service d'assistance gratuit, à **1-855-470-4267**.

## **FRAIS DE TRANSPORT :**

Les frais de transport de tout appareil motorisé ou accessoire connexe sont la responsabilité de l'acheteur. Dans le cadre de la présente garantie, les frais de transport de toute pièce retournée pour remplacement doivent être payés par l'acheteur à moins qu'un tel retour ne soit à la demande écrite de **GREENWORKS**.

# VUE ÉCLATÉE

---



# LISTE DES PIÈCES

---

N° de réf.	No de pièce	Description	Qté
1	311012465B	Ensemble du bloc-moteur	1
2	341212461B	Bouton	1
3	322042461	Vis M6*60	1
4	341112461	Poignée avant	1
5	33304877B	Fixation inférieure	1
6	311022465	Ensemble d'arbre inférieure	1
7	311121410E	Ensemble d'tete de taille-haies	1
8	339042461	Abrazadera	1
9	322101048A	Vis M6*22	1
10	341102465A	Défecteur d'herbe	1
11	333052461	Lame de coupe	1
12	322031444	Vis	1


# **GREENWORKS**

---

## **COMMERCIAL**

**Greenworks Tools  
PO Box 1238  
Mooreville, NC 28115**

**LIGNE SANS FRAIS : 1-855-470-4267**

 Fabriqué en Chine sur Papier Recyclé 100%

---

# GREENWORKS

## COMMERCIAL

Desbrozadora inalámbrica 82V  
GT 161  
(2106602)



Manual Del Propietario

**LÍNEA GRATUITA LÍNEA DE AYUDA: 1-855-470-4267**  
[www.greenworkstools.com/82v-Commercial/](http://www.greenworkstools.com/82v-Commercial/)

---

**⚠** Leer todas las normas de seguridad y las instrucciones cuidadosamente antes de utilizar esta herramienta.

# CONTENIDOS

---

Contenidos.....	2
Especificaciones .....	2
Reglas generales de seguridad .....	3
Símbolos.....	5
Sepa su producto.....	7
Armado .....	8
Funcionamiento .....	13
Mantenemento.....	22
Eliminación de baterías sin daño para el ambiente .....	23
Solución de problemas.....	24
Garantía Limitada.....	26
Plano de despiece/Lista de piezas .....	28

# ESPECIFICACIONES

---

## RECORTADORA DE HILO LITIO-IÓN 82V

Tipo.....	Inalámbrica, activada por baterías
Motor .....	82V sin escobillas
Diámetro de línea .....	16" (406 mm)
Velocidad .....	4500-5500-6000-6500 RPM±10%
Área de corte .....	Nylon / 0.08" (2 mm)
Tipo de alimentación .....	Alimentación mediante golpes leves
Tiempo de ejecución .....	Hasta 35 minutos
Tiempo de carga .....	30 minutos
Peso (sin batería) .....	10.8 lbs (4.9 kg)



# REGLAS GENERALES DE SEGURIDAD

---

## **ADVERTENCIA**

**Lea y comprenda todas las instrucciones antes de usar este producto.** Si no sigue todas las instrucciones enumeradas a continuación, podrían producirse descargas eléctricas, incendios y/o daños personales graves.

---

- Revise el área de trabajo cada vez antes del uso. Quite todo objeto inadecuado tal como rocas, fragmentos de vidrio, clavos, alambre o cuerdas que pudieran saltar o enrollarse en la máquina.
- Use siempre gafas de seguridad con protecciones laterales. Las gafas para uso diario tienen lentes solamente resistentes a impactos. NO son gafas de seguridad. Observar esta regla reduce el riesgo de lesiones en los ojos. Utilice una careta si la operación produce polvo.
- Evite los entornos de trabajo peligrosos - No exponga las aparato or herramienta eléctricas a la lluvia ni a condiciones de humedad. La introducción de agua en una herramienta eléctrica aumenta el riesgo de descargas eléctricas.
- No lo use en la lluvia.
- Mantenga a los espectadores, niños y mascotas alejados por lo menos 15 metros (50 pies).
- No use el producto para ningún otro trabajo que no sea para el cual fue creado.
- Para prevenir encendidos accidentales, nunca cargue un producto a batería con su dedo en el interruptor. Asegúrese de que el interruptor esté apagado cuando inserte la batería.
- No haga funcionar el equipo estando descalzo ni al usar sandalias o calzado ligero similar. Use calzado protector que resguarde sus pies y aumente su tracción en superficies lisas.
- No realice sobreesfuerzos. Mantenga un equilibrio adecuado en todo momento.
- Permanezca alerta - Preste atención a lo que está haciendo. Use el sentido común. No use esta unidad cuando se encuentre fatigado, enfermo o bajo los efectos del alcohol, drogas o medicamentos.
- Almacene los aparatos inactivos - Al no usar el recortador se le debe almacenar bajo techo en un lugar seco, con llave, fuera del alcance de los niños.
- Proporcione mantenimiento con cuidado al aparato - Cambie el cabezal del hilo, si está agrietado, desportillado o dañado de cualquier forma. Asegúrese de que el cabezal del hilo, o cuchilla, según sea el caso, esté debidamente instalado y firmemente asegurado. Mantenga los bordes cortantes afilados y limpios para un mejor rendimiento y reducir el riesgo de lesiones. Siga las instrucciones de lubricación y cambio de accesorios. Inspeccione periódicamente los cables y si están dañados llévelos a un centro de servicio autorizado. Revise las prolongaciones periódicamente y sustitúyalas si están dañadas. La inobservancia de esta advertencia puede causar lesiones corporales serias.
- Asegúrese de que no hayan partes dañadas. Antes de usar el producto, un protector u otra parte que esté dañada debe ser revisada cuidadosamente para determinar si funcionará apropiadamente y desempeñará la función para la cual fue diseñada. Verifique la alineación de las piezas en movimiento, la unión de las piezas en movimiento, el daño de piezas, el montaje y cualquier otra condición que pueda afectar su funcionamiento. Un protector u otra pieza que esté dañada debe ser reparado apropiadamente o reemplazado por un centro de servicio autorizado a menos que se indique otro lugar en este manual.
- No cargue la herramienta de batería en la lluvia o en un lugar húmedo o mojado. Si sigue estas indicaciones reducirá el riesgo de descargas eléctricas.
- Quite o desconecte la batería antes del mantenimiento, limpieza o retirada de material

# REGLAS GENERALES DE SEGURIDAD

---

delequipo para jardín.

- No deseche las baterías tirándolas al fuego. Las celdas podrían explotar. Verifique los códigos locales para averiguar si hay instrucciones especiales para su desecho.
- No abra las baterías ni las corte. El electrolito suelto es corrosivo y podría causar lesiones en los ojos o la piel. Podría ser tóxico si se le ingiere.
- Tenga mucho cuidado al manejar baterías para no poner en corto la batería mediante materiales conductores tales como anillos, brazaletes y llaves. La batería o el material conductor se podría sobrecalentar y provocar quemaduras.
- Vístase adecuadamente – No use ropa holgada o joyas. Podrían quedar atrapados en las piezas móviles. Se recomienda el uso de guantes de goma y calzado sólido cuando se trabaje al aire libre. Use un protector que cubra el cabello para agarrarlo.
- No fuerce la herramienta – El uso de la herramienta adecuada a la velocidad para la que está diseñada, efectuará el trabajo de mejor y más segura manera.
- Recargue la batería solamente con el cargador especificado por el fabricante. Podría haber un riesgo de incendio cuando se utilice un cargador con una batería para la que no está diseñado.
- Utilizar solo con baterías (GL 200, GL 250, GL 300, GL 400, GL 500, GL 900). Utilizar solo con el cargador GC 400.
- Cuando la batería no está en uso, manténgala alejada de otros objetos metálicos como clips, monedas, llaves, clavos, tornillos u otros objetos metálicos pequeños que puedan crear una conexión desde una terminal a otra. Si se produjese un cortocircuito en los terminales de la batería, éste podría causar quemaduras o un incendio.
- En condiciones abusivas, podría salir expulsado líquido de la batería, por lo que debería evitar el contacto con éste. Si se produce un contacto accidental, enjuáguese las manos con agua. Si el líquido entra en contacto con los ojos, acuda inmediatamente al médico. Si el líquido es expulsado de la batería podría causar irritación o quemaduras.
- No utilice una batería o apartado dañado o modificado. Las baterías dañadas o modificadas pueden comportarse de modo imprevisto que puede causar incendio, explosión o riesgo de lesión.
- No exponga ni las baterías ni el aparato al fuego ni a altas temperaturas. La exposición al fuego o a temperaturas superiores a 130 °C puede provocar explosiones. La temperatura de 130 °C equivale a 265 °F.

---

## **⚠ A D V E R T E N C I A (PROPOSITION 65)**

El polvo creado al lijar, cortar, moler, perforar y otras actividades de construcción contienen sustancias químicas que causan cáncer, defectos de nacimiento u otros daños reproductivos. Algunos ejemplos de estos productos químicos son:

- El plomo de las pinturas a base de plomo
- La sílice cristalina de ladrillos y cemento y otros productos de albañilería, y
- El arsénico y el cromo de la madera tratada químicamente.

El riesgo de exposición a estos químicos varía en función de la frecuencia con que realiza este tipo de trabajo. Para reducir su exposición a estas sustancias químicas, trabaje en un área bien ventilada y con equipos de seguridad aprobados, como mascarillas contra el polvo especialmente diseñadas para filtrar partículas microscópicas.

---

## **GUARDE ESTAS INSTRUCCIONES**

---



# SÍMBOLOS

Es posible que se empleen en este producto algunos de los siguientes símbolos. Le suplicamos estudiarlos y aprender su significado. Una correcta interpretación de estos símbolos le permitirá utilizar mejor y de manera más segura el producto.

SÍMBOLO	NOMBRE	DENOMINACIÓN/EXPLICACIÓN
V	Volts	Voltaje
A	Amperios	Corriente
Hz	Hertz	Frecuencia (ciclos por segundo)
W	Watts	Potencia
min	Minutos	Tiempo
~	Corriente alterna	Tipo de corriente
/min	Por minuto	Revoluciones, carreras, velocidad superficial, órbitas, etc. por minuto.
≡	Corriente continua	Tipo o característica de corriente
	No instale hoja de corte	No instale ni utilice ningún tipo de hoja de corte en ningún producto con este símbolo.
	Alerta de condiciones húmedas	No exponga la unidad a la lluvia ni la use en lugares húmedos.
	Lea el manual del operador	Para reducir el riesgo de lesiones, el usuario debe leer y comprender el manual del operador antes de usar este producto.
	Protección ocular	Al utilizar este producto, póngase siempre gafas de seguridad con protección lateral, y en la medida en que sea necesario, utilice un protector para toda la cara..
	Alerta de seguridad	Precauciones para su seguridad.
	Rebote	Cualquier objeto lanzado puede rebotar y producir lesiones personales o daños físicos.
	Mantenga alejadas a las personas presentes	Mantenga a los circunstantes a una distancia mínima de 15 m (50 pies).

# SÍMBOLOS

---

Las siguientes palabras de señalización y sus significados tienen el objeto de explicar los niveles de riesgo relacionados con este producto.

SÍMBOLO	SEÑAL	SIGNIFICADO
	<b>PELIGRO</b>	Indica una situación peligrosa inminente, la cual, si no se evita, causará la muerte o lesiones serias.
	<b>ADVERTENCIA</b>	Indica una situación peligrosa posible, la cual, si no se evita, podría causar la muerte o lesiones serias.
	<b>PRECAUCIÓN</b>	Indica una situación peligrosa posible, la cual, si no se evita, podría causar lesiones menores o leves.
	<b>PRECAUCIÓN</b>	(Sin el símbolo de alerta de seguridad) Indica una situación que puede producir daños materiales.

## SERVICIO

Para dar servicio es necesario tener extremo cuidado y conocimiento, el servicio debe ser proporcionado solamente por técnicos de servicio calificados. Sugerimos que para dar servicio al producto lo regrese a su **CENTRO DE SERVICIO AUTORIZADO** más cercano para que los reparen. Al dar servicio, use solamente repuestos idénticos.

---

## A D V E R T E N C I A

Para evitar lesiones personales graves, no trate de usar este producto antes de haber leído completamente el presente Manual del Propietario y haberlo comprendido en su totalidad. Si no comprende las advertencias y las instrucciones que aparecen en el presente Manual del Propietario, no use el producto. Llame gratis al 1-855-470-4267 para recibir ayuda. Toda herramienta eléctrica al funcionar puede lanzar objetos extraños hacia sus ojos, lo que podría provocarles lesiones graves. Antes de operar una herramienta eléctrica, use siempre gafas de seguridad, gafas de seguridad con protecciones laterales o una careta completa si es necesario. Recomendamos usar una careta de seguridad con rango visual ancho encima de gafas de seguridad estándar, o usar gafas de seguridad estándar con protecciones laterales. Use siempre protección para los ojos con viñetas que indiquen que cumplen ANSI Z87.1.

---

## A D V E R T E N C I A



Toda herramienta eléctrica al funcionar puede lanzar objetos extraños hacia sus ojos, lo que podría provocarles lesiones graves. Antes de comenzar el funcionamiento de una herramienta eléctrica, use siempre gafas de seguridad o gafas de seguridad con protecciones laterales y, si es necesario, una careta completa. Recomendamos usar caretas de seguridad con rango visual ancho encima de gafas de seguridad estándar, o usar gafas de seguridad estándar con protecciones laterales. Use siempre protección para los ojos con viñetas que indiquen que cumplen ANSI Z87.1. which can result in severe eye damage.

---

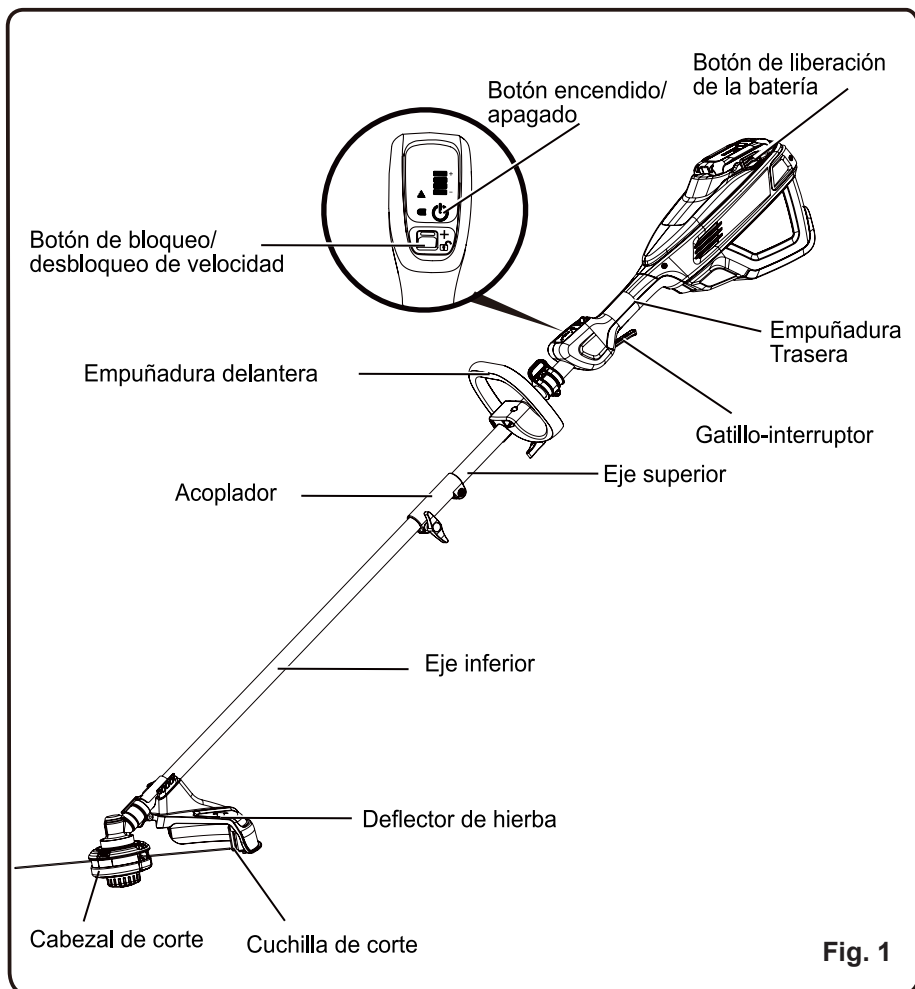
## GUARDE ESTAS INSTRUCCIONES

---

# SEPA SU PRODUCTO

## CONOZCA SU PRODUCTO (Vea la figura 1.)

El uso seguro de este producto requiere la comprensión de la información del producto y del manual de usuario, así como el conocimiento de la tarea que intenta realizar. Antes de utilizar este producto, familiarícese con las características de funcionamiento y normas de seguridad.



# ARMADO

---

## DESEMBALAJE

Es necesario montar este producto.

- Retire con cuidado el producto y los accesorios de la caja. Asegúrese de que están incluidos todos los elementos que figuran en la lista del paquete de embalaje.
- Revise el producto con atención para asegurarse de que no se produjeron daños o roturas durante el transporte.
- No tire el material de embalaje hasta que haya revisado con atención y haya utilizado el producto de manera satisfactoria.
- Si falta alguna parte dañada o se encuentra dañada, llame al 1-855-470-4267 para que le proporcionen asistencia.

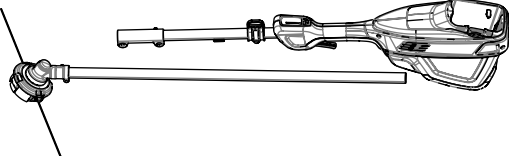
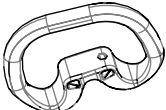
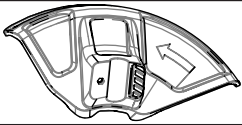

---

## **⚠** ADVERTENCIA

No utilice este producto si ya está montado en el producto algún elemento de la lista del paquete de embalaje cuando lo desembale. El fabricante no ha montado los elementos de esta lista en el producto y requieren de la instalación del cliente. Usar un producto que puede haber sido mal montado podría provocar graves daños personales.

---

## LISTA DE PIEZAS

Nombre de las piezas	Figura	Cant.
Recortadora de hilo		1
Mango auxiliar		1
Hierba deflector		1
Manual de instrucciones		1

# ARMADO

---

---

## **⚠ ADVERTENCIA**

Si falta alguna parte dañada o se encuentra dañada, no utilice el producto hasta que haya sustituido las piezas. Usar este producto si falta alguna pieza o si alguna está dañada podría provocar graves daños personales.

---

---

## **⚠ ADVERTENCIA**

No intente modificar este producto o crear accesorios no recomendados para ser usados con él. Cualquier alteración o modificación es un uso incorrecto del producto y podría provocar situaciones peligrosas que conlleven graves daños personales.

---

---

## **⚠ ADVERTENCIA**

No conecte la unidad al suministro de energía hasta que esté completamente montada. Si la máquina está mal montada, podría arrancar accidentalmente y provocar graves daños personales.

---

# ARMADO

## COLOCAR EL DEFLECTOR DE HIERBA (Vea la figura 2.)

NOTA: Instale el deflector de hierba antes de conectar el accesorio a la cabeza motriz.

1. Invierta la recortadora de hilo para acceder al cabezal de corte.
2. Coloque el eje inferior en la ranura de la protección.

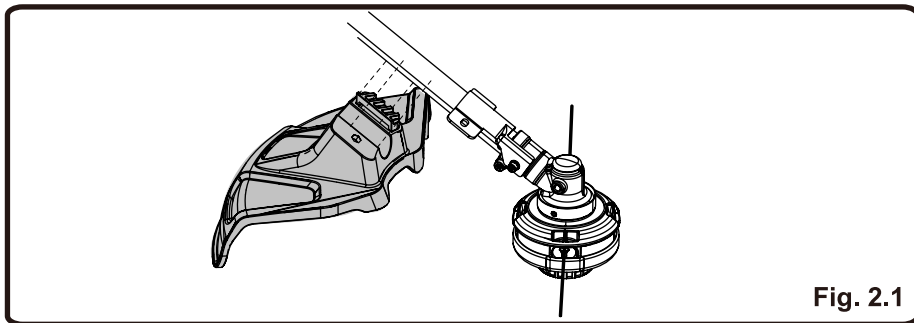


Fig. 2.1

3. Inserte el soporte (1) dentro de la ranura (2).
4. Alinee los orificios de los tornillos del soporte con los orificios de los tornillos de la protección.
5. Monte y apriete los tornillos.

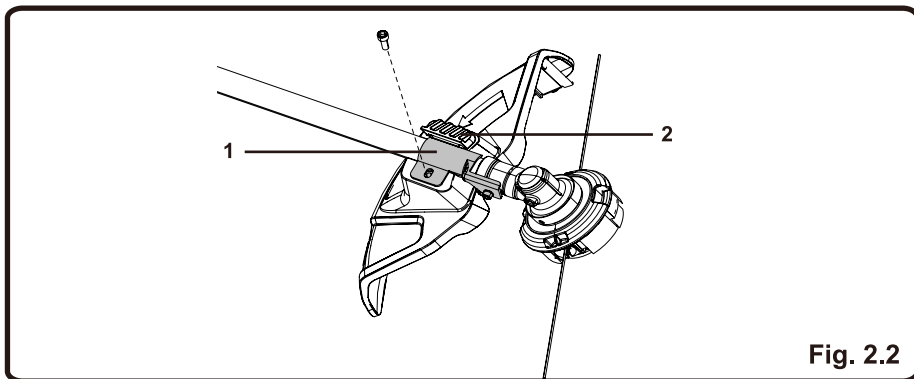


Fig. 2.2

# ARMADO

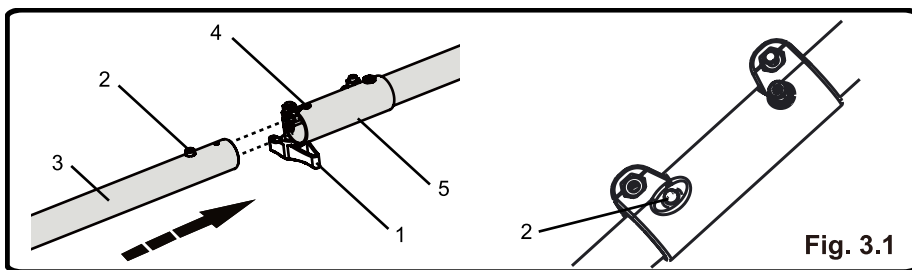
## INSTALAR EL EJE SUPERIOR EN EL EJE INFERIOR (Vea la figura 3.)

### **⚠ ADVERTENCIA**

Nunca instale, retire o ajuste ningún accesorio mientras sigue funcionando el bloque motor. Un fallo en la parada del motor puede causar lesiones personales graves.

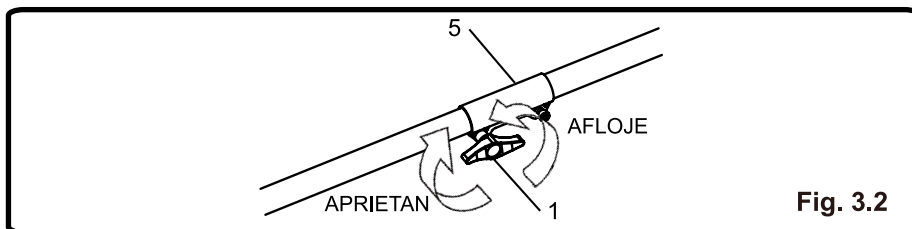
El accesorio se conecta al bloque motor mediante un anillo de acople.

1. Coloque la herramienta en una superficie plana y nivelada.
2. Afloje el vástago (1) del acoplador (5).
3. Pulse el botón de liberación (2) situado en el eje inferior (3). Alinee el botón de liberación con el orificio de posición (4) y deslice los dos ejes juntos. Gire el eje del accesorio hasta que el botón se bloquee en el agujero de posición.



*NOTA: Si el botón no se libera por completo en el agujero de posición significa que los ejes no están bien colocados. Gire ligeramente de un lado a otro hasta que el botón se ajuste en su lugar.*

4. Apriete la llave firmemente.



# ARMADO

## FIJACIÓN DEL MANGO DELANTERO (Vea la figura 4.)

1. Presione el mango delantero en el eje de la cabeza motriz de manera que el mango está inclinado hacia el mango trasero.

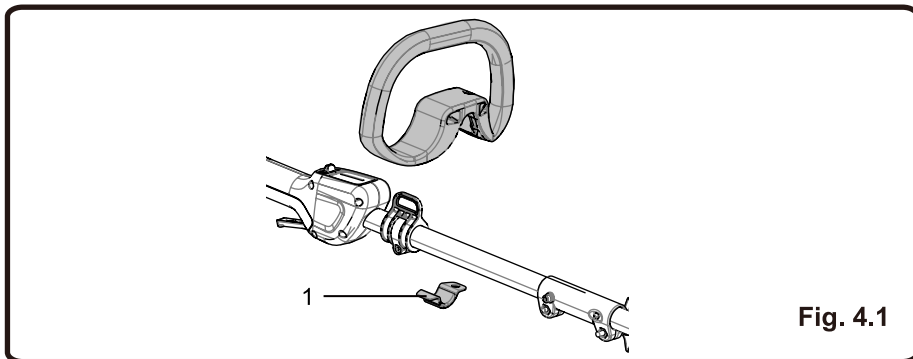


Fig. 4.1

2. Acople el mango auxiliar y baje la abrazadera (1) del eje.
3. Si es necesario, suba o baje el mango para ajustarlo a la posición de manejo deseada.

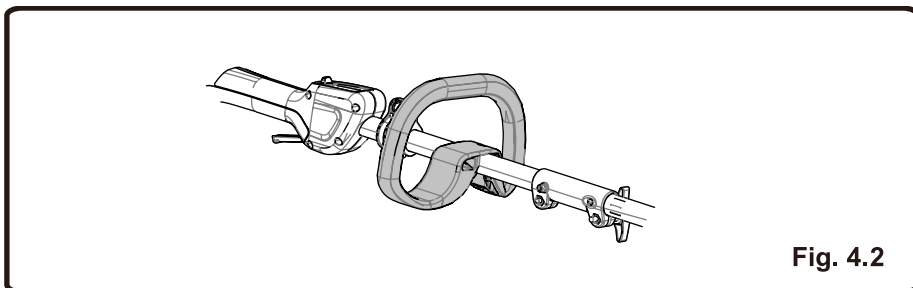


Fig. 4.2

4. Inserte la perilla del mango (2) a través del mango auxiliar. Apriétela hasta que el mango no se mueva.

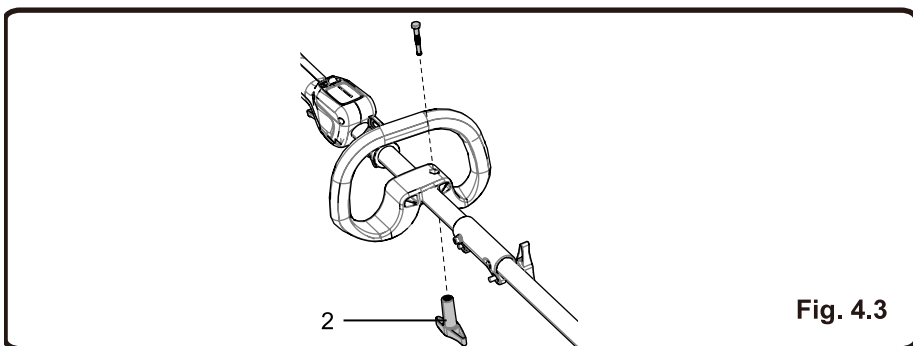


Fig. 4.3



# FUNCIONAMIENTO

---

## **⚠ ADVERTENCIA**

Lea y comprenda el manual de usuario en su totalidad para cada accesorio opcional utilizado en esta cabeza motriz y siga todas las advertencias e instrucciones. Si no sigue todas las instrucciones, podrían producirse descargas eléctricas, incendios y/o daños personales graves.

---

## **⚠ ADVERTENCIA**

Preste especial atención aunque esté familiarizado con el producto. Recuerde que un despiste de una sola fracción de segundo es suficiente para causar daños graves.

---

## **⚠ ADVERTENCIA**

No utilice conexiones ni accesorios que no estén recomendados por el fabricante de este producto. El uso de conexiones o accesorios no recomendados podría causar graves daños personales.

---

## **⚠ ADVERTENCIA**

Esta recortadora de hilo no está diseñada para ser utilizada con accesorios de desbrozadora. El uso de un accesorio de desbrozadora podría causar lesiones personales graves o daños materiales.

---

# FUNCIONAMIENTO

## INSTALACIÓN DE LA BATERÍA (Vea la figura 5.)

- Inserte la batería en la herramienta hasta que escuche un clic.

## EXTRACCIÓN DE LA BATERÍA (Vea la figura 5.)

- Pulse, sin soltarlo, el botón de desenganche del módulo de la batería, situado en el lateral del alojamiento trasero.
- Extraiga el módulo de la batería y suelte el botón.

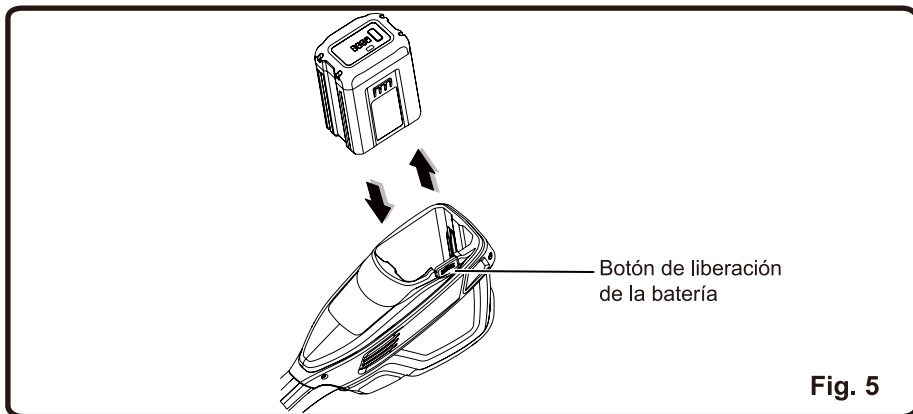


Fig. 5

## ARRANCAR Y DETENER LA RECORTADORA (Vea la figura 6.)

Para empezar:

- Pulse el botón de encendido/apagado (1) .
- Tire hacia atrás del botón de bloqueo de seguridad (2) y, al mismo tiempo, gire el interruptor de accionamiento (3) para poner el equipo en marcha.
- Empuje hacia adelante el botón de velocidad para ajustar la velocidad al estado de la hierba.

Para detener:

- Suelte el gatillo-interruptor.
- Vuelva a pulsar el botón de encendido para apagar la unidad.

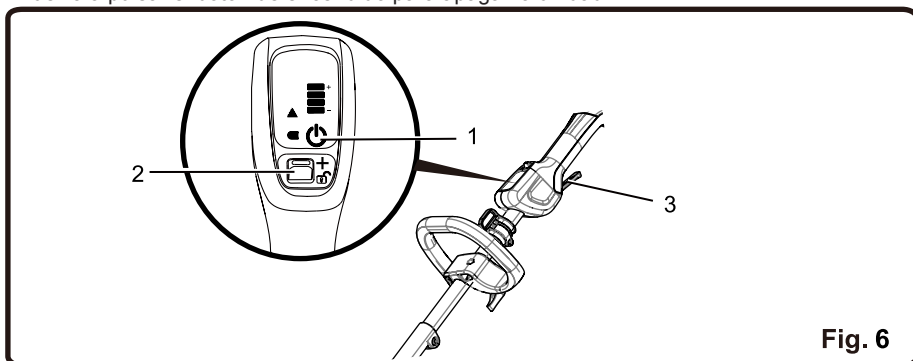


Fig. 6

# FUNCIONAMIENTO

## FUNCIONAMIENTO DE LA CABEZA MO TRIZ (Vea la figura 7.)

### **⚠ A D V E R T E N C I A**

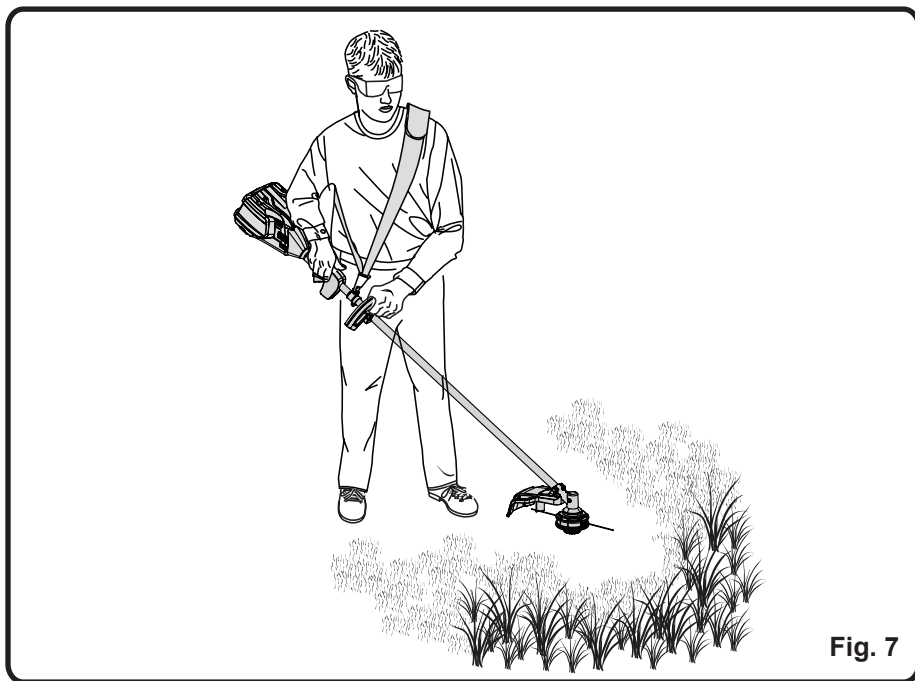
Siempre sujete la recortadora de hilo lejos de su cuerpo, manteniendo un espacio entre ambos. El contacto con el cabezal de corte de la recortadora de hilo durante su operación puede causar lesiones personales graves.

#### **Siga las siguientes recomendaciones a manejar la recortadora de hilo:**

- Sujete la recortadora con la mano derecha en el mango trasero y la izquierda en el delantero.
- Sujete firmemente la unidad con ambas manos durante la operación.
- Se recomienda sujetar la recortadora en una posición cómoda, con el mango trasero a la altura de la cadera aproximadamente.
- Corte la hierba alta desde arriba hacia abajo. Esto evitará que la hierba se enrolle alrededor del alojamiento del eje y del cabezal del brazo, lo que puede causar daños por calentamiento excesivo.

#### **Si la hierba se enrolla en el cabezal del hilo:**

- Desenchufe la recortadora de hilo.
- Quite la hierba.



**Fig. 7**

# FUNCIONAMIENTO

---

## **⚠ ADVERTENCIA**

Cualquier contacto con el cabezal de corte del accesorio podría provocar quemaduras y/o lesiones personales graves.

---

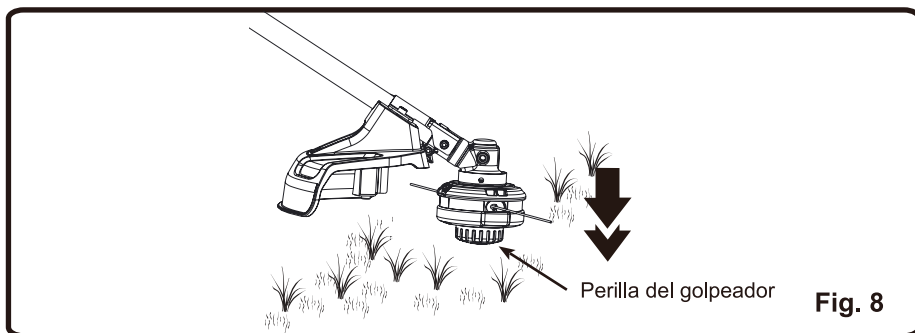
## **⚠ ADVERTENCIA**

Lea la información de seguridad para una utilización segura cuando use un accesorio de la hoja y consulte las normas de seguridad e instrucciones del manual de usuario. No utilice nunca un accesorio de desbrozadora con esta cabeza motriz. El funcionamiento inadecuado de una hoja o cualquier accesorio podría resultar en lesiones graves.

---

### **AVANCE DE LIGNE DE COUPE (Vea la figura 8.)**

Mientras la orilladora está en funcionamiento, el hilo de corte se desgasta y se acorta. Esta podadora está equipada con avance de hilo por contacto, lo que permite que el hilo salga cuando se golpea suavemente el suelo con el cabezal mientras rota. La hoja de corte recortará el hilo para mantener la amplitud de corte precisa.



# FUNCIONAMIENTO

## REPLACING STRING HEAD (Vea la figura 9.)

Debe reemplazar el cabezal del hilo cuando esté visiblemente dañado o cuando los indicadores de desgaste estén del frente presenten un suave desgaste. Consulte la sección **Cambiar el hilo** de este manual para reemplazar el hilo.

1. Pare la unidad y retire la batería.
2. Inserte la herramienta de bloqueo del cabezal de engranajes o el destornillador (1) en la ranura (2). Gire el cabezal del cortabordes y empuje la herramienta (1) hasta que encaje en el orificio de la tuerca del anillo interno (3), impidiendo que gire.

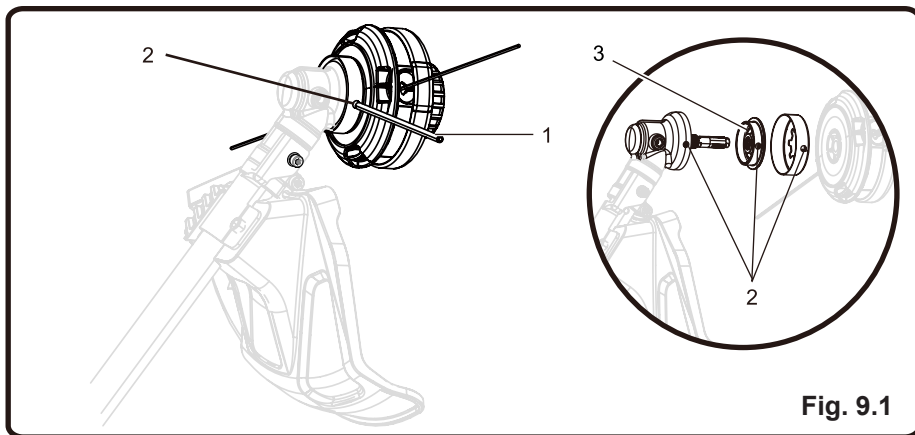


Fig. 9.1

3. Gire el cabezal del hilo (4) hacia la derecha hasta que pueda retirarlo del eje del engranaje (5).

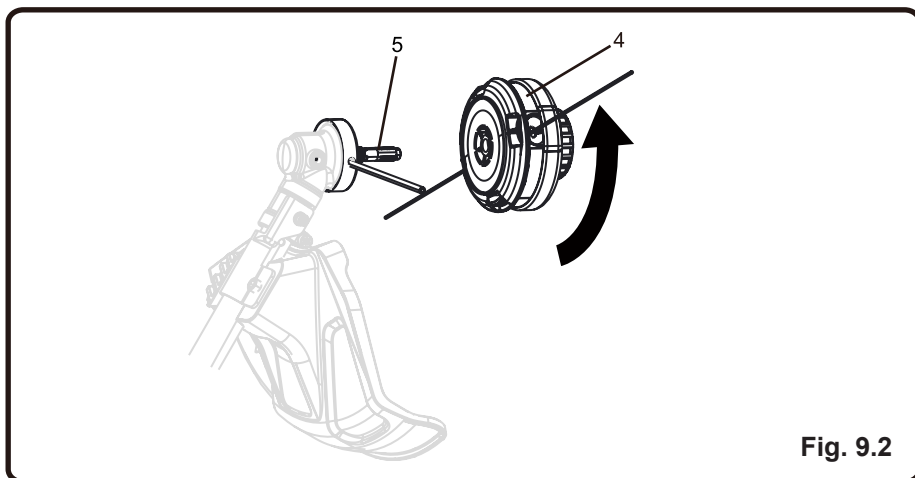


Fig. 9.2

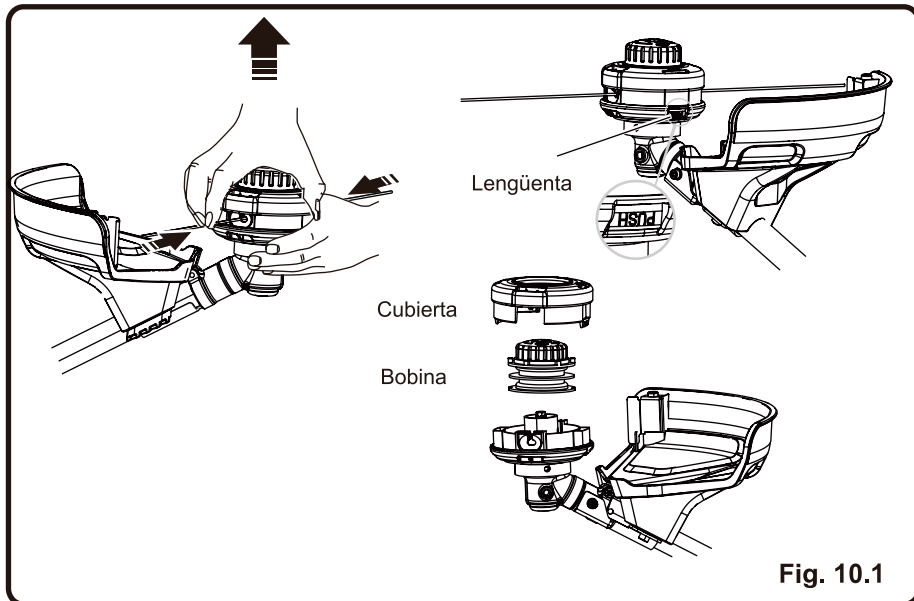
4. Instale en nuevo cabezal de hilo y gírelo hacia la izquierda para fijarlo.

# FUNCIONAMIENTO

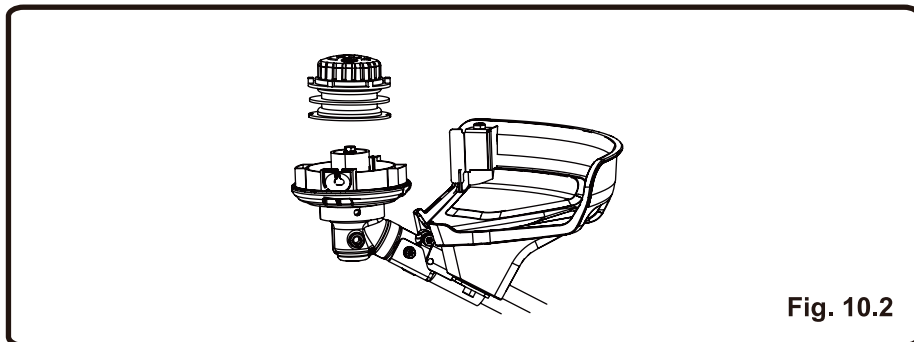
## REEMPLAZO DEL CARRETE (Vea la figura 10.)

Consulte la sección **Cambiar el hilo** de este manual para reemplazar el hilo.

1. Presione las lengüetas en un lado del cabezal de corte y remueva la cubierta y bobina.

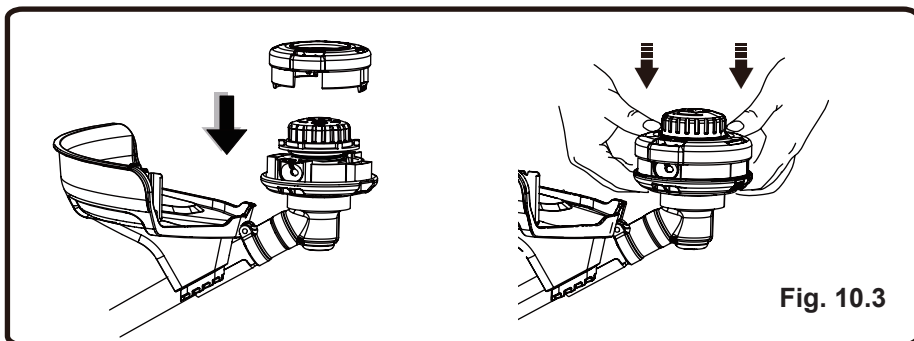


2. Remueva la línea restante.
3. Limpie la suciedad y desechos de todas las piezas.
4. Coloque el carrete en la carcasa del carrete como se muestra a continuación.



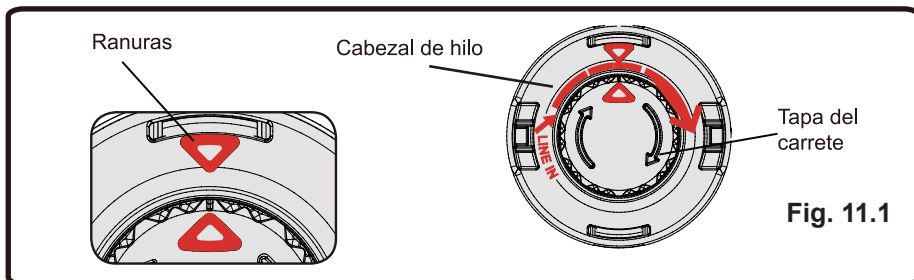
# FUNCIONAMIENTO

5. Coloque la cubierta en el cabezal de corte. Empuje hasta que la cubierta encaje en su posición.

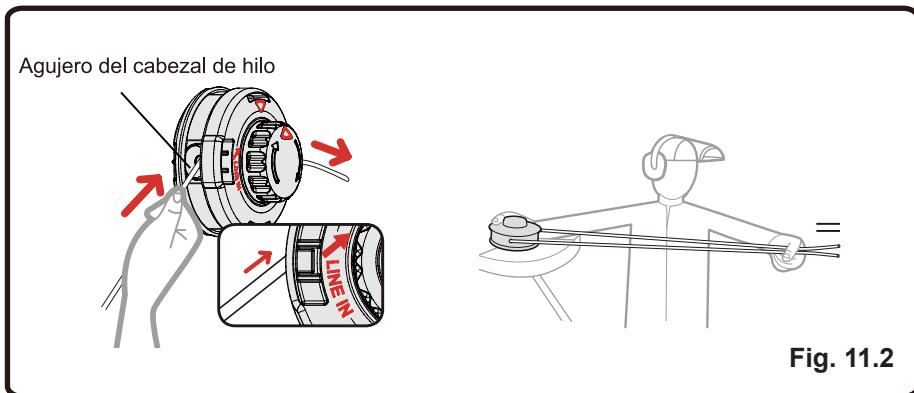


## CAMBIAR EL HILO (Vea la figura 11.)

1. Alinee las ranuras en la tapa del carrete con las ranuras del cabezal de hilo.

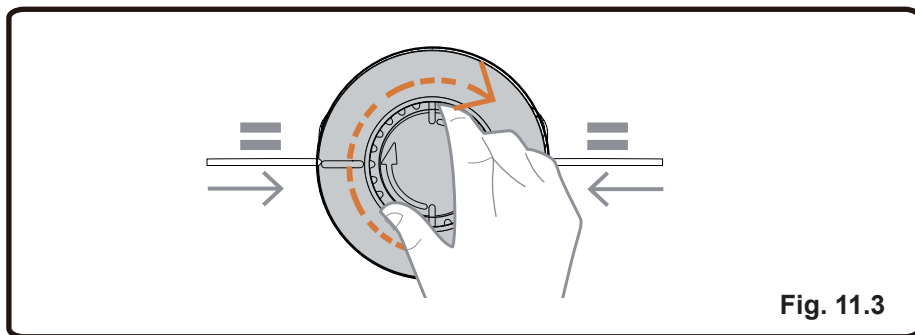


2. Coloque el hilo a través del agujero del cabezal de hilo. Empuje el hilo hasta que salga por el agujero del lado opuesto en el agujero del cabezal de hilo.

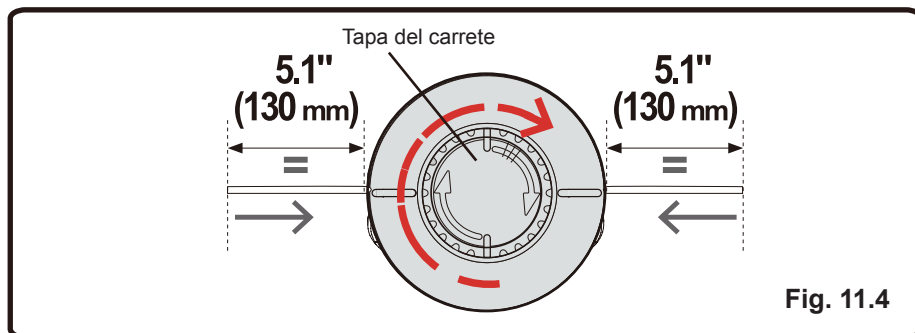


# FUNCIONAMIENTO

3. Coloque el hilo adentro hasta que haya una cantidad de hilo igual en cada lado.



4. Gire la tapa del carrete en el sentido de las agujas del reloj. Deje que sobresalgan aproximadamente. 5.1 pulgadas de hilo en cada lado del cabezal.





# FUNCIONAMIENTO

## CORTAR PUNTAS (Vea la figura 12.)

- Mantenga la recortadora inclinada hacia la zona a cortar; esta es la mejor área de corte.
- La recortadora corta al pasar el aparato de derecha a izquierda. Esto evitará que se arrojen desechos al operador. Evite cortar en la zona peligrosa mostrada en la figura 12.
- Utilice la punta del hilo para cortar; no fuerce la cabeza para hilo de corte en la hierba no cortada.
- Las vallas de madera o alambre provocan un desgaste excesivo del hilo y rotura. Las paredes de piedra y ladrillo, los bordillos y la madera pueden desgastar rápidamente el hilo.
- Evite los árboles y arbustos. La corteza de árbol, las molduras de madera, los frisos y las estacas de las vallas pueden ser dañados fácilmente por el hilo.

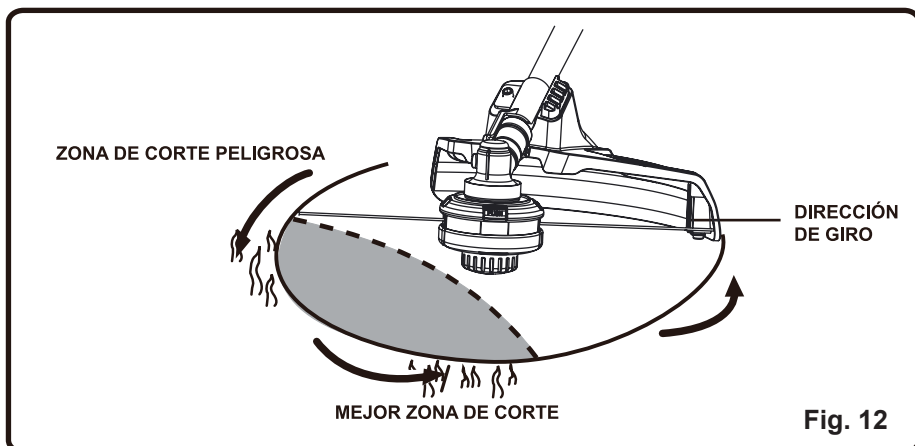


Fig. 12

## CUCHILLA DE CORTE (Vea la figura 12.)

Esta recortadora está equipada con una cuchilla de corte instalada en el protección. Para obtener mejores resultados en el recorte, avance el hilo hasta que la cuchilla lo corte a la longitud apropiada. Avance el hilo siempre que escuche que el motor está funcionando más rápido de lo normal, o cuando disminuya la eficiencia del recorte. Esto mantendrá un desempeño óptimo y mantendrá el hilo a la suficiente longitud para que avance correctamente.

# MANTENIMIENTO

---

## MANTENIMIENTO GENERAL

Evite el uso de disolventes para limpiar las piezas de plástico. La mayoría de los plásticos son susceptibles a diversos tipos de disolventes comerciales y pueden dañarse por su uso. Utilice paños limpios para eliminar la suciedad, el polvo, los restos de lubricante y grasa, etc.

Guarde siempre la máquina limpia y en un recinto seco, con la batería cargada.

Tareas de mantenimiento	Cada vez que usa la máquina	Cada dos horas	Cada semana	Después del uso	Cada año o cuando sea necesario
Inspección visual de los sistemas de seguridad de la herramienta (distanciador, protección visual, carcasa de seguridad)	X			X	
Compruebe el funcionamiento del sistema de seguridad del gatillo	X				
Compruebe que las cuchillas están afiladas y afílelas en caso necesario	X	X			X
Inspección visual de la herramienta (no presenta fracturas ni deformaciones)	X	X			X
Inspección visual de la herramienta en el acople del eje (no presenta deformaciones ni desgaste)	X	X			X
Compruebe el nivel de batería	X				
Inspección de la herramienta por un distribuidor autorizado Greenworks					X

# ELIMINACIÓN DE BATERÍAS SIN DAÑO PARA EL AMBIENTE

---



---

## **⚠️ A D V E R T E N C I A**

Todos los materiales tóxicos deben ser desechados de forma específica para evitar contaminar el medio ambiente. Antes de desechar una batería de litio-ión estropeada o gastada, póngase en contacto con el organismo encargado del tratamiento de residuos más próximo o con su agencia de protección medioambiental para informarse y solicitar instrucciones específicas. Recicle las baterías en un centro o dispositivo adecuado, autorizado para el tratamiento del Litio-ión.

---

---

## **⚠️ A D V E R T E N C I A**

Si la batería se agrieta o se rompe, con o sin escapes, no la recargue ni la utilice. Deséchela y sustitúyala por una batería nueva. ¡NO INTENTE REPARARLA! Para evitar lesiones y riesgos de incendio, explosión o shock eléctrico, así como dañar el medio ambiente:

- Cubra los terminales de la cubierta de la batería con cinta adhesiva resistente.
  - NO intente retirar ni destruir componentes de la batería.
  - NO intente abrir la batería.
  - Si aparece una grieta, los electrolitos que se liberan son corrosivos y tóxicos. NO permita que la solución entre en contacto con los ojos o la piel y no la ingiera.
  - NO tire estas baterías a la basura.
  - NO las incinere.
  - NO las ponga donde puedan acabar en el basurero o en una línea de tratamiento de residuos municipal.
  - Llévelas a un centro oficial de reciclaje o recogida de desechos.
-

# SOLUCIÓN DE PROBLEMAS

Problema	Causa	Solución
La recortadora de hilo no puede arrancarse cuando el botón de bloqueo del gatillo está pulsado.	1. La batería no está instalada en la recortadora.	1. Instale la batería en la recortadora.
	2. No hay contacto eléctrico entre la recortadora y la batería.	2. Retire la batería, compruebe el contacto y vuelva a instalar la batería.
	3. La batería está agotada.	3. Cargue la batería.
	4. La palanca de desbloqueo y el gatillo no se han apretado a la vez.	4. Tire hacia atrás del botón de bloqueo de seguridad y, al mismo tiempo, gire el interruptor de accionamiento para poner el equipo en marcha.
	5. No pulse el botón de encendido, apriete el gatillo directamente.	5. Arranque el botón de encendido, el indicador de encendido se disparará después.
La recortadora de hilo se detiene durante el corte.	1. La protección no está montada en la recortadora, causando un corte demasiado largo y la sobrecarga del motor.	1. Retire la batería y monte la protección en la recortadora.
	2. Se utiliza una línea de corte gruesa.	2. Use solo líneas de corte de nylon con 0,080" de diámetro o inferior.
	3. El eje del motor o el cabezal de corte están atascados con hierba.	3. Detenga la recortadora, retire la batería y retire la hierba del eje del motor y del cabezal de corte.
	4. El motor se ha sobrecargado.	4. Retire el cabezal de corte de la hierba. El motor volverá a funcionar tan pronto como se haya eliminado la sobrecarga. Al cortar, acerque y aleje el cabezal de corte de la hierba y no elimine más de 20 cm de longitud en un solo corte.
	5. La batería o la recortadora de hilos están demasiado calientes.	5. Deje que la batería se enfríe hasta que la temperatura sea inferior a 70 °C. Deje que la temperatura se enfríe hasta que la temperatura sea inferior a 140 °C.
	6. La batería está desconectada de la herramienta.	6. Vuelva a instalar la batería.
	7. La batería está agotada.	7. Cargue la batería.

# SOLUCIÓN DE PROBLEMAS

---

Problema	Causa	Solución
Las líneas no avanzan.	1. Los hilos están soldados entre sí.	1. Lubrique con espray de silicona.
	2. No hay suficiente hilo en el carrete.	2. Instale cable extra. Consulte el apartado "Sustitución de la línea", que aparece anteriormente en este manual.
	3. Los hilos son demasiado cortos.	3. Tire ambos hilos, al tiempo que pulsa el botón.
	4. El hilo está enredado en el carrete.	4. Extraiga el hilo de la bobina y vuelva a enrollarla. Consulte el apartado "Sustitución de la línea", que aparece anteriormente en este manual.
El hilo sigue rompiéndose.	1. Uso incorrecto de la recortadora.	1. Sólo corta con la punta del hilo, evite las piedras, muros y otros objetos duros. Alargue el hilo de forma regular para mantener el ancho del corte.
La hierba se enrolla alrededor del cabezal de corte y de la cubierta del motor.	1. Cortar hierba alta a nivel del suelo.	1. Corte la hierba alta de arriba abajo, eliminando no más de 20 cm en cada pasada para evitar que se enrolle.
El hilo no corta bien.	1. La cuchilla/hilo de corte al borde de la protección no está afilada.	1. Afile la cuchilla/hilo de corte con una lima o reemplácela con una nueva cuchilla.

# GARANTÍA LIMITADA

---



Por la presente, GREENWORKS™ garantiza este producto, al comprador original con **justificante de compra**, durante un período de 2 años de garantía de tren de potencia y 2 año de garantía comercial contra defectos de materiales, piezas o fabricación. GREENWORKS™, a su propio criterio, reparará o reemplazará todas y cada una de las piezas que estén defectuosas, mediante un uso normal, sin cargo alguno para el cliente. Esta garantía sólo es válida para las unidades que se hayan utilizado para uso personal que no hayan sido contratadas o alquiladas, y que se hayan mantenido de acuerdo con las instrucciones del manual de propietario suministrado con el producto nuevo.

## 2 años de garantía limitada de tren de potencia:

- Motor
- Placas PCB
- Caja de cambios
- 2 años a partir de la fecha de compra (intransferible)

## 2 año de garantía limitada de la batería:

- Baterías comerciales Greenworks (GL 200, GL 250, GL 300, GL 400, GL 500, GL 900)
- 2 año a partir de la fecha de compra (intransferible)

## 60 días de garantía limitada de consumibles:

- Barras
- Láminas
- Protecciones
- Cadenas
- Cabezales de la bomba de alimentación
- Dientes
- 60 días a partir de la fecha de compra (intransferible)

## Exclusiones de la garantía, limitaciones y derechos:

1. Las garantías no podrán ser transferidas por el consumidor a otro comprador posterior.
2. Las piezas o componentes no suministrados por el garante, o piezas o componentes que se hayan modificado.
3. Cualquier fallo resultante del uso de herramientas inadecuadas o procedimientos

# GARANTÍA LIMITADA

---

- de reparación incorrectos.
4. Cualquier fallo o pieza que deje de funcionar debido a un accidente, impacto, abuso, mal uso, negligencia, mal manejo, embotamiento de filos de corte, o error al utilizar el producto de acuerdo con la información proporcionada en el manual de instrucciones suministrado con el producto.
  5. El deterioro normal del exterior debido al uso o exposición, y cualquier reparación necesaria por el desgaste normal, mantenimiento inadecuado, lubricación inadecuada, almacenamiento inadecuado, suciedad, abrasivos, impacto, humedad, agua, lluvia, nieve, óxido, corrosión, barnices, u otras condiciones similares.
  6. Elementos de mantenimiento rutinario tales como lubricantes, afilado de cuchillas.
  7. La unidad, si no se ha utilizado y/o mantenido de acuerdo con el manual de propietario.
  8. Voltaje incorrecto para productos eléctricos y baterías que han estado expuestas a temperaturas más allá de las especificadas en el manual de instrucciones del producto, baterías que no se han cargado correctamente o baterías que han alcanzado el límite de su vida útil.

## LÍNEA TELEFÓNICA PARA AYUDA DE GREENWORKS:

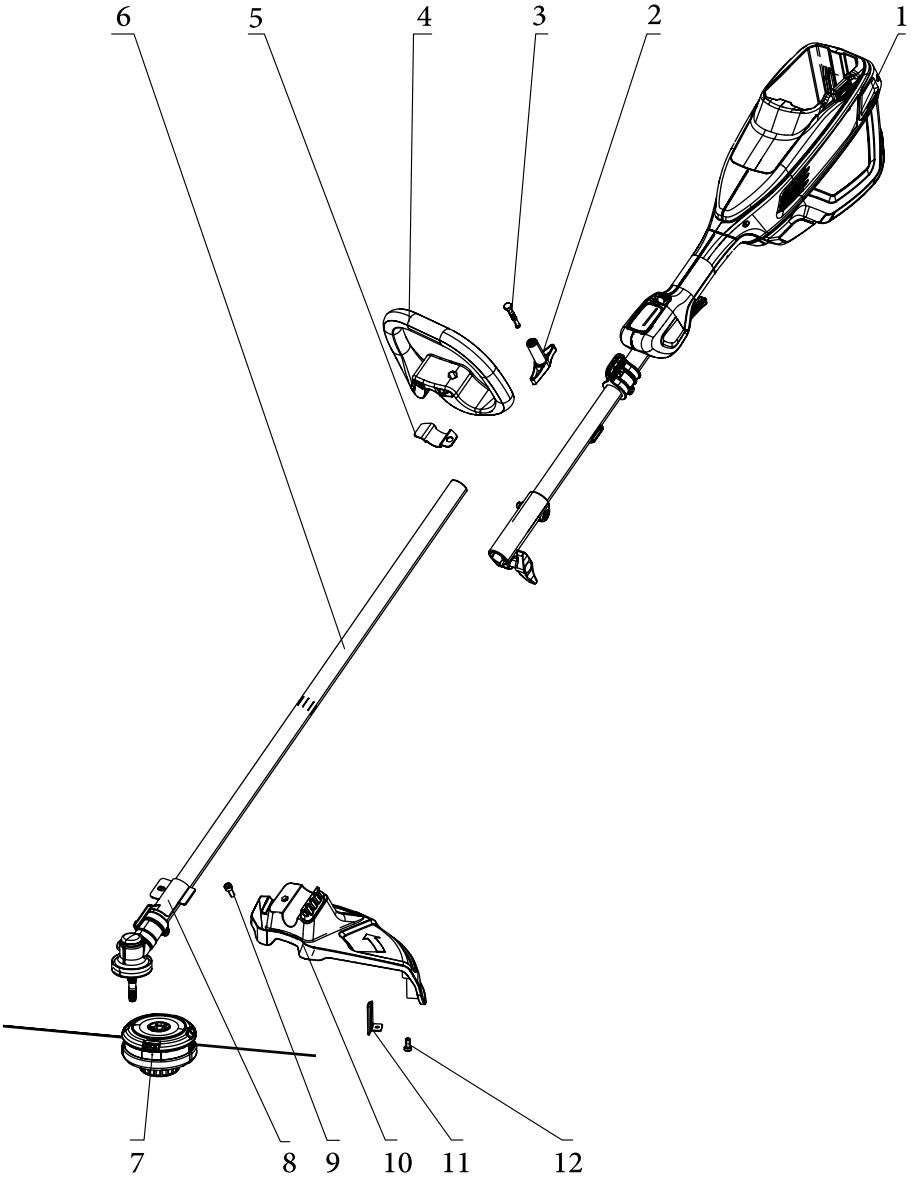
Se puede obtener servicio relacionado con la garantía llamando de lunes a viernes entre a nuestra línea gratis para ayuda, el **1-855-470-4267**.

## GASTOS DE TRANSPORTE:

Los gastos de transporte para el movimiento de cualquier unidad de equipos motorizados o accesorio son responsabilidad del comprador. Es responsabilidad del comprador pagar los gastos de transporte para cualquier pieza enviada para reemplazo bajo esta garantía a menos que **GREENWORKS™** solicite dicha devolución por escrito.

# PLANO DE DESPIECE

---





## LISTA DE PIEZAS

---

<b>N.º Pieza</b>	<b>N.º Modelo</b>	<b>Descripción</b>	<b>Cant.</b>
1	311012465B	Conjunto del cabezal de potencia	1
2	341212461B	Perilla	1
3	322042461	Tornillo M6*60	1
4	341112461	Mango auxiliar	1
5	33304877B	Baje la abrazadera	1
6	311022465	Conjunto del eje inferior	1
7	311121410E	Conjunto del cabezal de corte	1
8	339042461	Fixation	1
9	322101048A	Tornillo M6*22	1
10	341102465A	Deflector de hierba	1
11	333052461	Cuchilla de corte	1
12	322031444	Tornillo	1

# **GREENWORKS**

---

## **COMMERCIAL**

**Greenworks Tools  
PO Box 1238  
 Mooresville, NC 28115**

**LÍNEA GRATUITA LÍNEA DE AYUDA: 1-855-470-4267**



Impreso en China en el 100% de papel reciclado